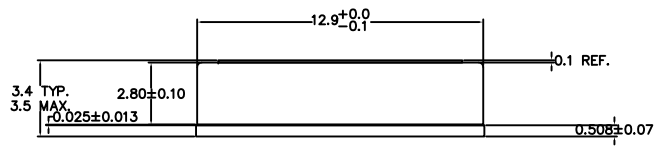
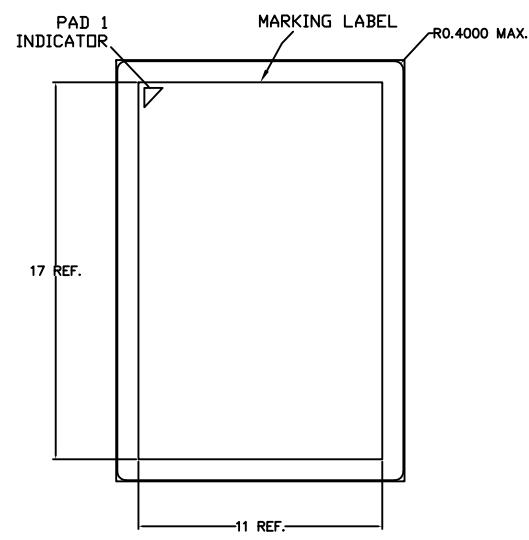


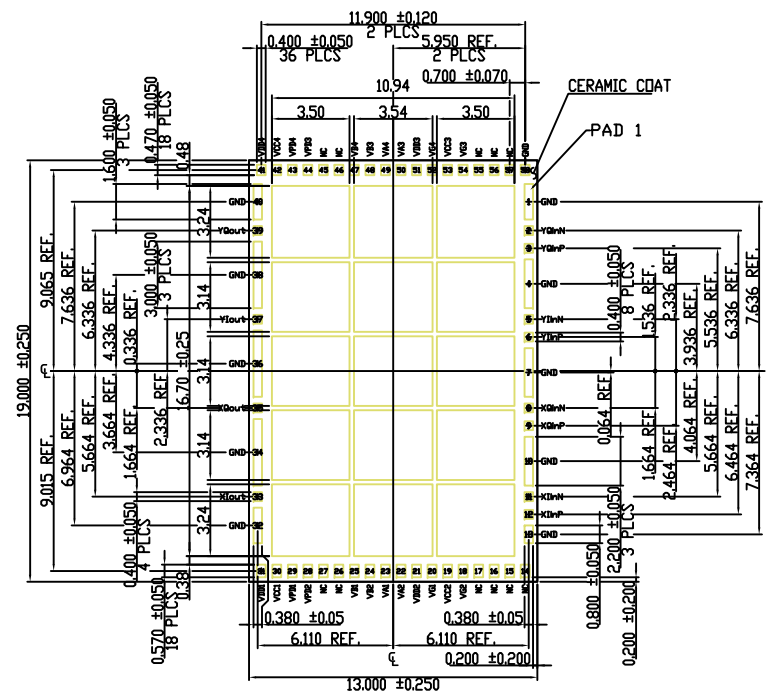
DATE		REVISIONS		
CREATED	REV	DESCRIPTION	AUTHOR	
7/31/17	00	INITIAL RELEASE	JH	
NOTE: REFER TO DCP FOR OFFICIAL RELEASE DATE				



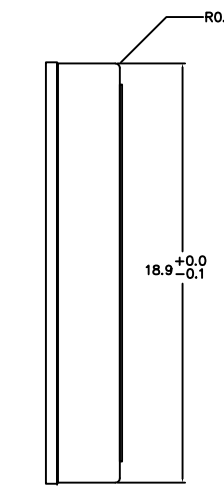
SIDE VIEW - DC INPUTS



TOP VIEW




BOTTOM VIEW



SIDE VIEW - RF INPUTS

- NOTES:
1. ALL DIMENSIONS ARE IN MILLIMETERS (mm)
 2. TOLERANCES ARE IN ±0.15mm UNLESS OTHERWISE SPECIFIED
 3. CONNECT UNLABELED (LARGE) PADS TO GROUND
 4. PADS LABELED "NC" ARE NOT INTERNALLY CONNECTED

TOLERANCES UNLESS SPECIFIED DECIMAL ANGULAR XX± ± XXX± ± XXXX± ±	 6024 Silver Creek Valley Road San Jose, CA 95138 PHONE: (408) 284-8200 FAX: (408) 284-8591 www.IDT.com	
	TITLE GX72474-HIU Package Outline Drawing 19.0 x 13.0 x 3.4 mm Module MOD0	
SIZE C	DRAWING No. PSC-4703	REV 00
DO NOT SCALE DRAWING		SHEET 1 OF 1