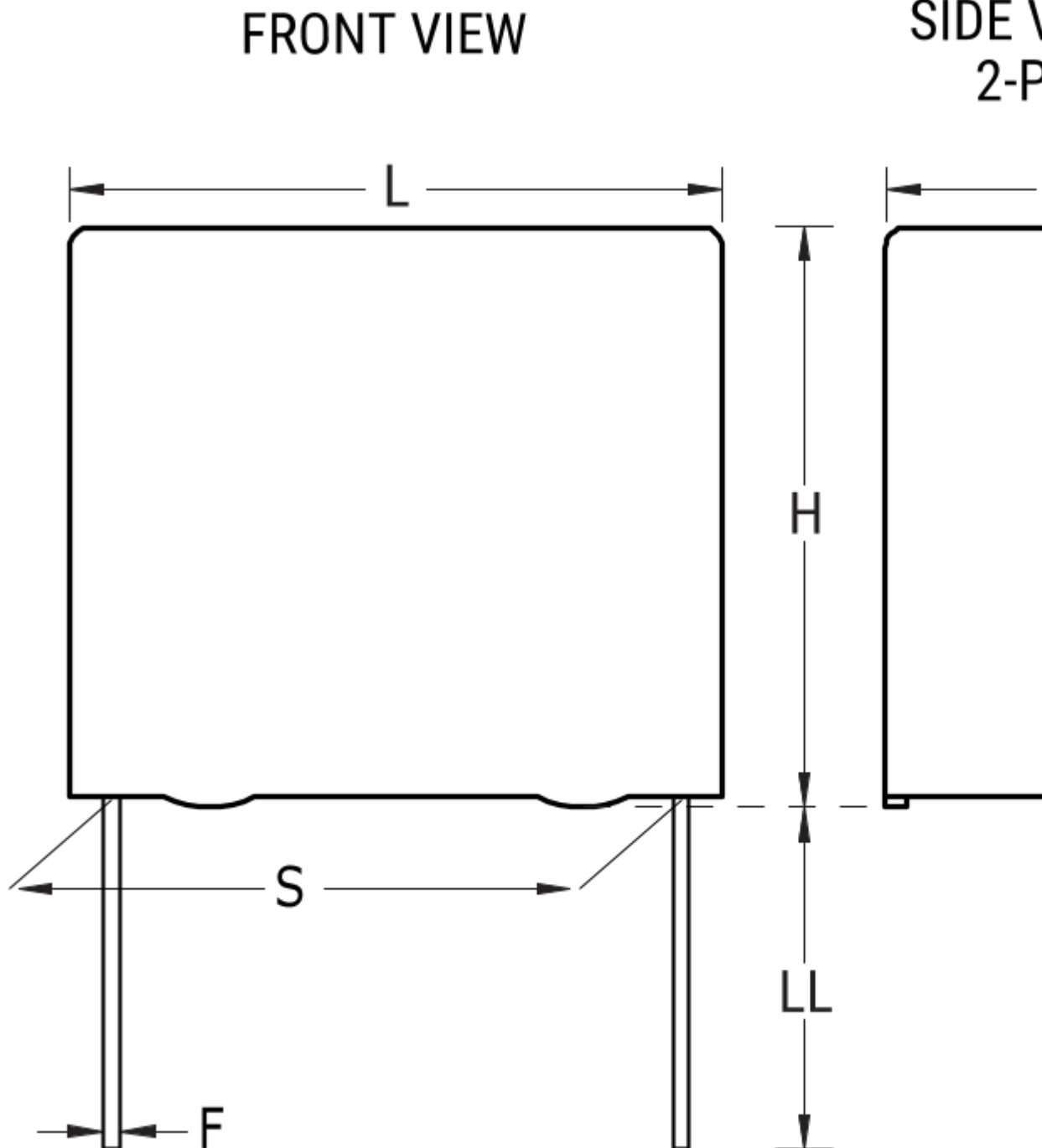


F5AJC4100Z3D6M

Aliases (5AJC4100Z3D6M)

F5A, Film, Metallized Polyester, Varistor/Capacitor, 1 uF, 20%, 30 VDC, 100°C, Lead Spacing = 5mm



Click [here](#) for the 3D model.

Dimensions

- L 7.5mm MAX
- H 10.1mm MAX
- T 5.1mm MAX

Dimensions

S 5mm +/-0.4mm

LL 17mm +/-2mm

F 0.6mm +/-0.05mm

Packaging Specifications

Packaging Bulk, Bag

Packaging Quantity 1500

General Information

Series F5A

Dielectric Metallized Polyester

Style Radial

Features EMI-RFI suppressors for DC motors

RoHS Yes

Lead Wire Leads

Qualifications AEC-Q200

AEC-Q200 Yes

Component Weight 0.333 g

Miscellaneous The Rated Voltage Decreases 2%/C Between +100C And +125C.
Varistor= 39 VDC.

Specifications

Capacitance 1 uF

Capacitance Tolerance 20%

Voltage DC 30 VDC, 15 VDC (125C)

Temperature Range -55/+125°C

Rated Temperature 100°C

Dissipation Factor 1% 1kHz

Statements of suitability for certain applications are based on our knowledge of typical operating conditions for such applications, but are not intended to constitute - and we specifically disclaim - any warranty concerning suitability for a specific customer application or use. This Information is intended for use only by customers who have the requisite experience and capability to determine the correct products for their application. Any technical advice inferred from this Information or otherwise provided by us with reference to the use of our products is given gratis, and we assume no obligation or liability for the advice given or results obtained.

Generated 5/18/2023 - 96ed8175-218e-49f7-ac84-bf83854b3b39

© 2006 - 2023 KEMET

Generated 5/18/2023 - 96ed8175-218e-49f7-ac84-bf83854b3b39

© 2006 - 2023 KEMET