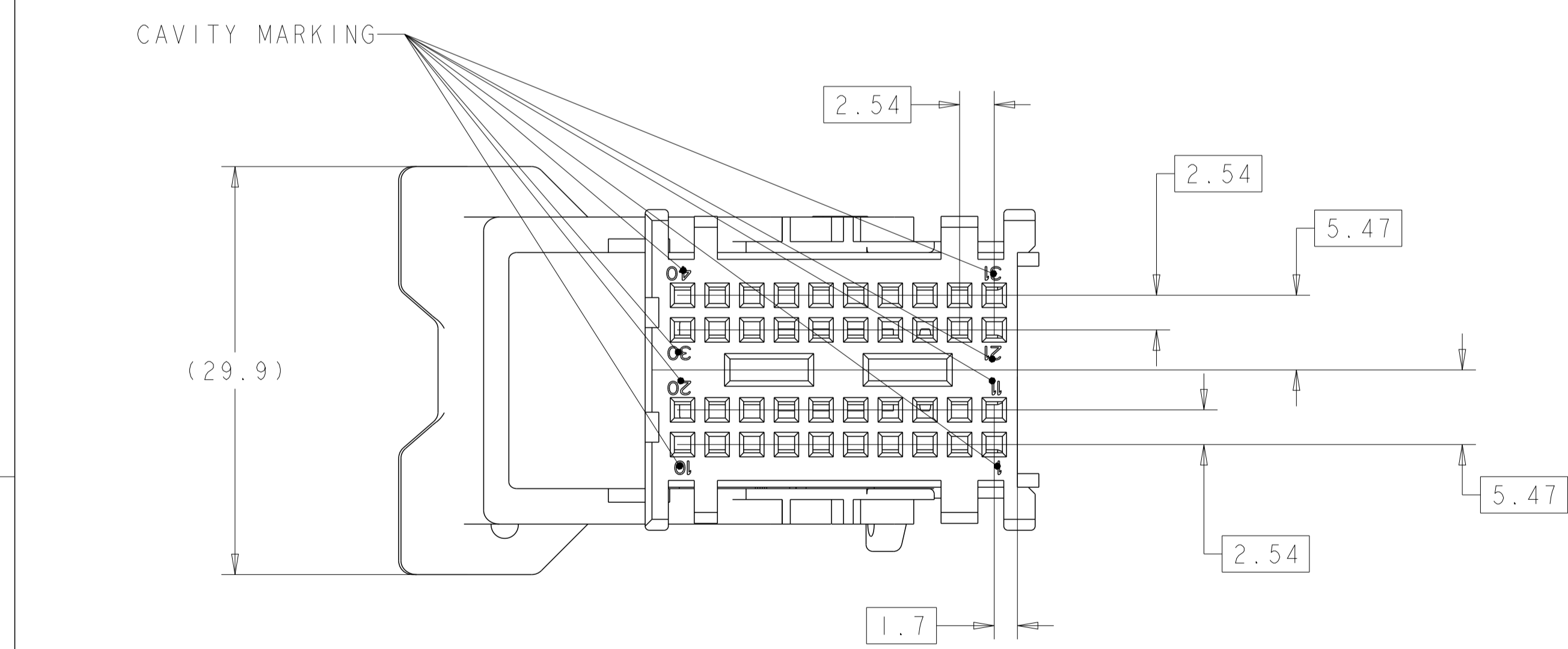
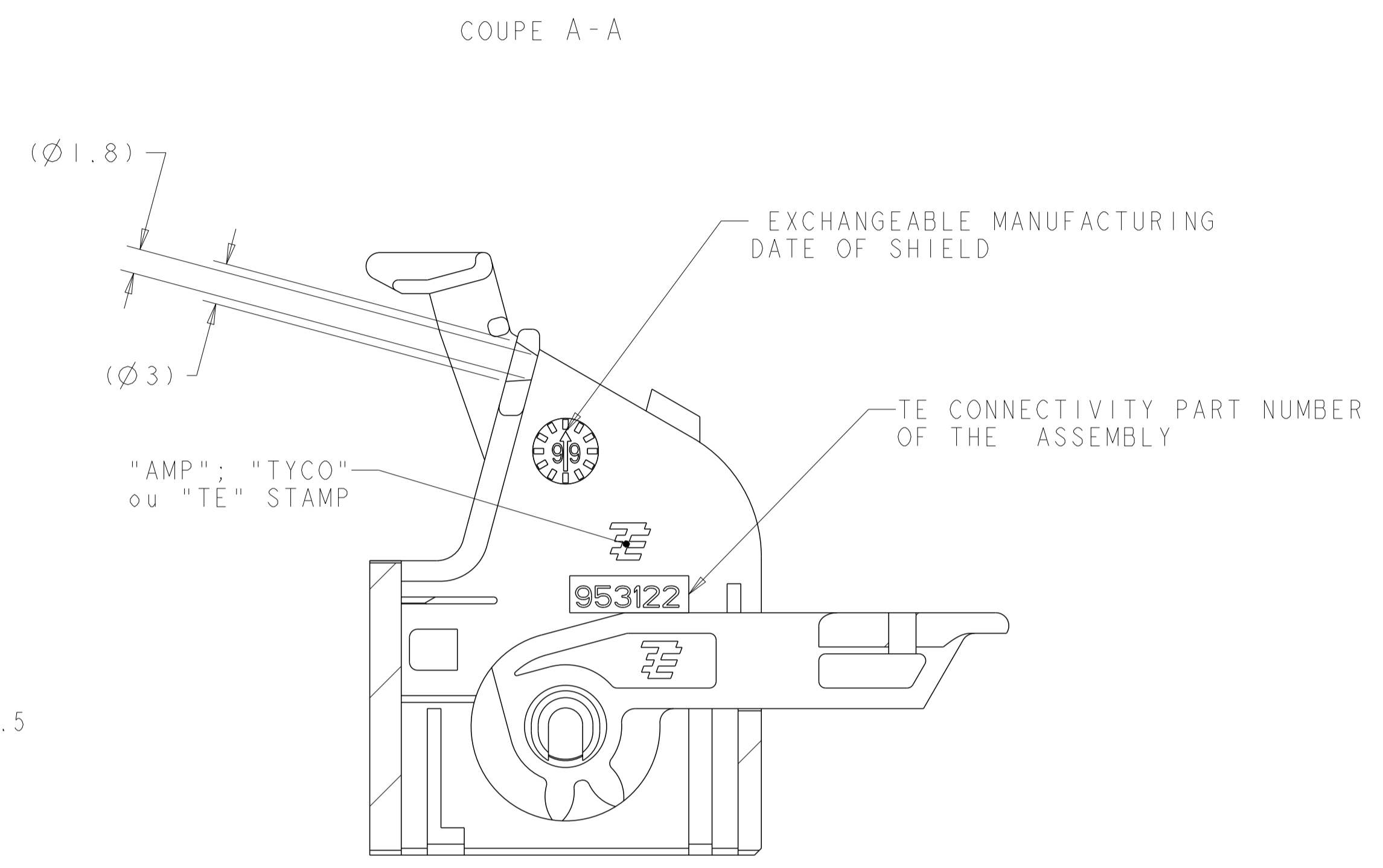
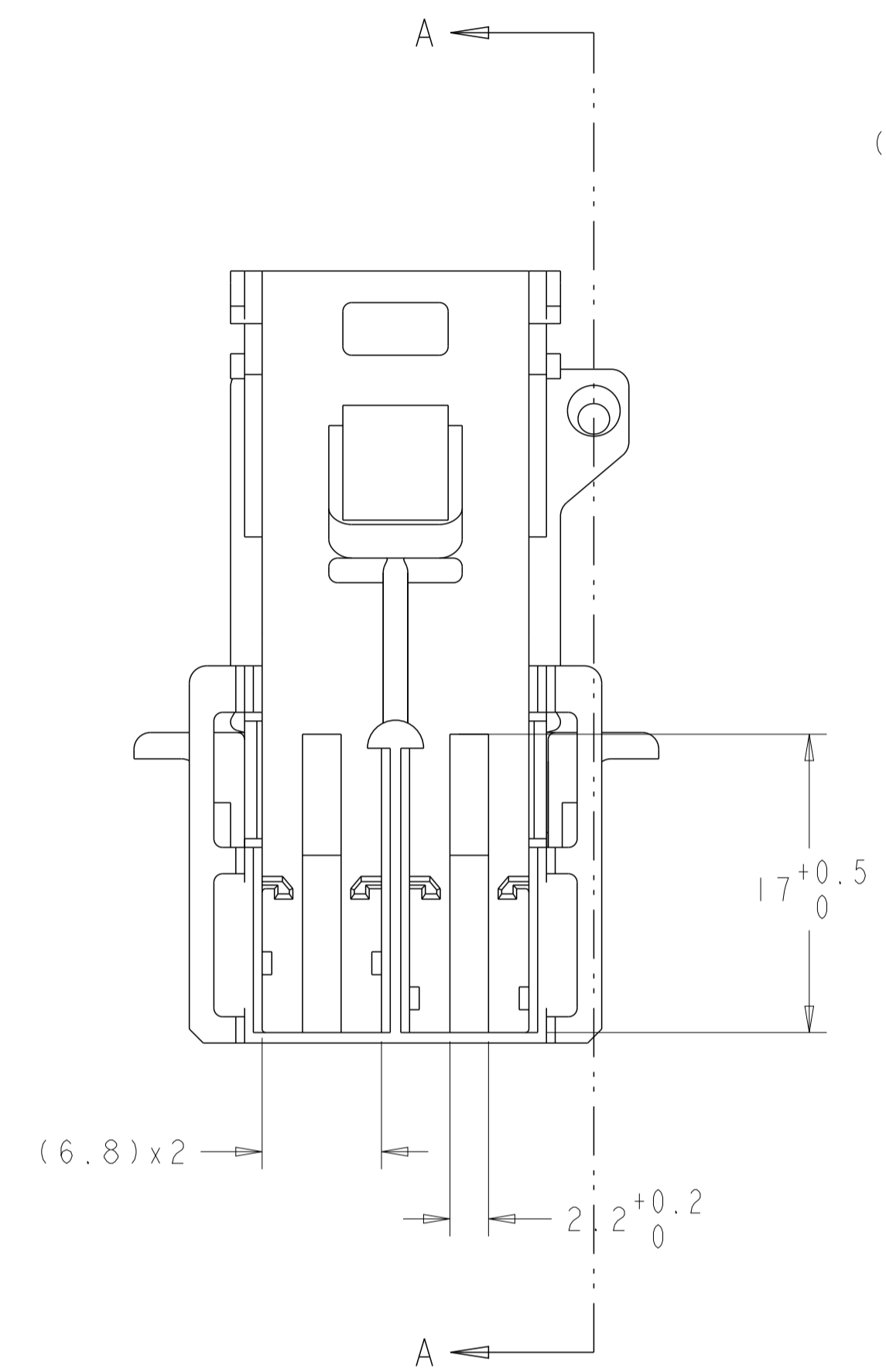
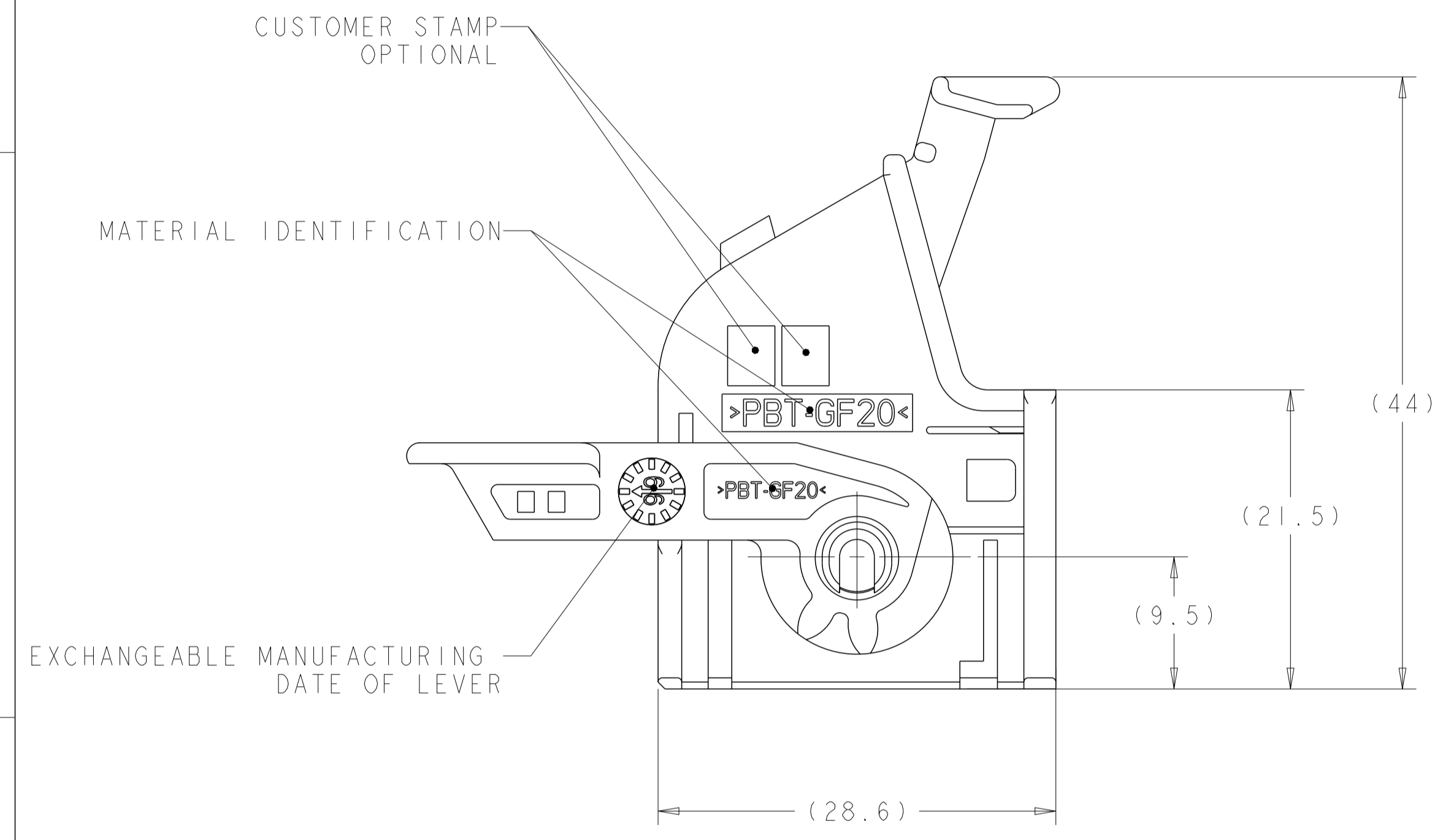
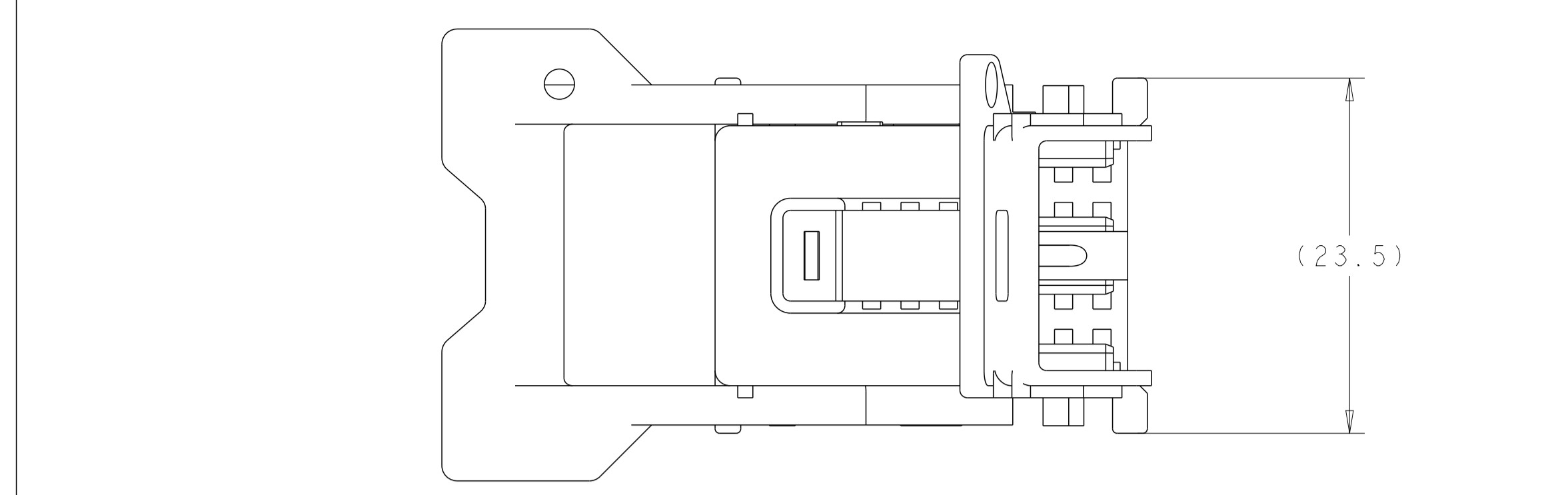


LOC		DIST		REVISIONS			
F	00	P	LTN	DESCRIPTION MODIFICATIONS	DATE	DWN DESS.	APVD APP.
		A1		REVISED PER ECO-11-005150	28MAR2011	RK	HMR
		A2		CORRECTED THE PN'S IN NOTE IN ZONE A7 ON SHEET 1 OF 2	20JUL2016	KCD	SA



Nota:  
 PARKAGING FOLLOWING SPEC TE CONNECTIVITY: 107-18078 and 107-15368  
 PART TO USE WITH:  
 SOCKET HOUSING FOR POS. 1 TO 20 REF PN 953119-2 (BROWN) OR PN 1-953119-4 (WHITE)  
 SOCKET HOUSING FOR POS. 21 TO 40 REF PN 953119-1 (GREEN) OR PN 1-953119-3 (BLACK)  
 CONTACT MQS REF /144969-X; 1379418-X; 1379419-X  
 NUMBER MAXI OF WIRE PERMITTED:  
 40 WIRES SECTION 0.75mm<sup>2</sup> (Ø maxi insult 1.9mm)  
 RECOMMANDATION SPEC: 411-15597

THIS DRAWING IS A CONTROLLED DOCUMENT. <small>CE PLAN EST UN DOCUMENT CONTROLÉ PAR AMF INCORPORATED.          IL EST SOUS-SCÉLÉ ET TOUTE RÉVISION, CONTRACTÉ DE SERVICE.          TOUT CHANGEMENT DE PLAN DOIT ÊTRE NOTIFIÉ À LA DIRECTION GÉNÉRALE.</small>		DWN/DESSINE 08FEB2005 M. POLIFONTE CHK/VERIFIE 09FEB2005 X. ROULLARD		TE Connectivity	
DIMENSIONS: mm		TOLERANCES, UNLESS OTHERWISE SPECIFIED: TOLEANCES, NON SPECIFIEES: DECIMALES: ±0.2 ANGLES: ±5°		APVD/APPROUVE 09FEB2005 J. DABED PRODUCT SPEC SPEC. PRODUCT 108-15178 APPLICATION SPEC SPEC. APPLICATION	
MATERIAL MATIERE PBT GF 20		FINITION		WEIGHT MASSES APPROX. 8.9gr CUSTOMER DRAWING /PLAN CLIENT	
SIZE FORMAT A1 CAGE CODE 00779 DRAWING NO. 953122		NAME TITRE ASSEMBLY COVER 40 WAY MQS CABLE-LOCKING AT 15 DEG.		RESTRICTED TO RESERVE A SHEET FEUILLE 1 OF 2 REV A2	

LOC	DIST	REVISIONS			
F	00	REV	DESCRIPTION	DATE	APPV
-	-	SEE SHEET 1			

953122-1	SHIELD	2	1	BLACK	PBT GF 20		953122-5	SHIELD	2	1	BLACK	PBT GF 20	
	LEVER	1	1	BLACK	PBT GF 20			LEVER	1	1	BLACK	PBT GF 20	
953122-2	SHIELD	2	1	GREY	PBT GF 20		953122-6	SHIELD	2	1	GREY	PBT GF 20	
	LEVER	1	1	BLACK	PBT GF 20			LEVER	1	1	BLACK	PBT GF 20	
953122-3	SHIELD	2	1	WITHE	PBT GF 20		953122-7	SHIELD	2	1	WITHE	PBT GF 20	
	LEVER	1	1	BLACK	PBT GF 20			LEVER	1	1	BLACK	PBT GF 20	
953122-4	SHIELD	2	1	BLUE	PBT GF 20		953122-8	SHIELD	2	1	BLUE	PBT GF 20	
	LEVER	1	1	BLACK	PBT GF 20			LEVER	1	1	BLACK	PBT GF 20	
TE CONNECTIVITY PART NUMBER	COMPONENT	Rep	Q.	COLOR	MATERIAL	CODING	TE CONNECTIVITY PART NUMBER	COMPONENT	Rep	Q.	COLOR	MATERIAL	CODING

THIS DRAWING IS A CONTROLLED DOCUMENT. CE PLAN EST UN DOCUMENT CONTROLÉ PAR AMP INCORPORATED. IL EST QUOTIDIENMENT RÉVISÉ, CORRIGÉ ET SERVICE. TECHNIQUE D'AMP DE FRANCE POUR OBTENIR LA DERNIÈRE RÉVISION.

DIMENSIONS: mm

TOLE FRANGES, UNLESS OTHERWISE SPECIFIED: 0.2

ANGLES: ±5°

MATERIAL MATIÈRE: PBT GF 20

FINITION: -

WEIGHT MASSES APPROX: 8.9gr

CUSTOMER DRAWING / PLAN CLIENT

DWN/BESSINE: 08FEB2005  
M. POLIFONTE  
CHK/VERVIE: 09FEB2005  
X. ROULLARD

APVD/ APPROUVE: J. DABED  
DATE: 09FEB2005

NAME TITRE: ASSEMBLY COVER 40 WAY MQS CABLE-LOCKING AT 15 DEG.

PRODUCT SPEC: 108-15178  
APPLICATION SPEC: -

SIZE: A1  
CAGE CODE: 100779  
DRAWING NO: 953122

RESTRICTED TO RESERVE A

BRIGUENET SCALE: 3:1  
SHEET FEUILLE: 2 OF 2  
REV: A2