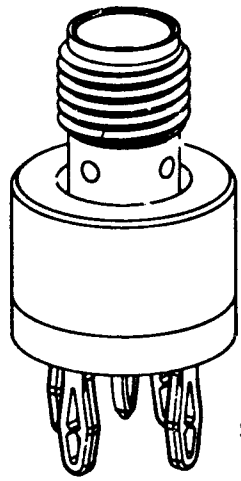


901-144-PF8

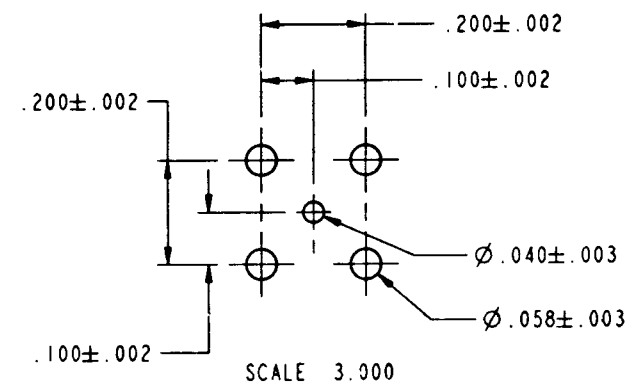
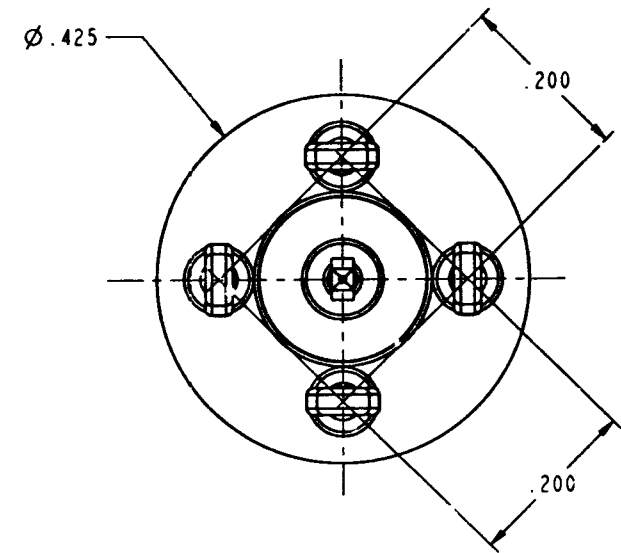
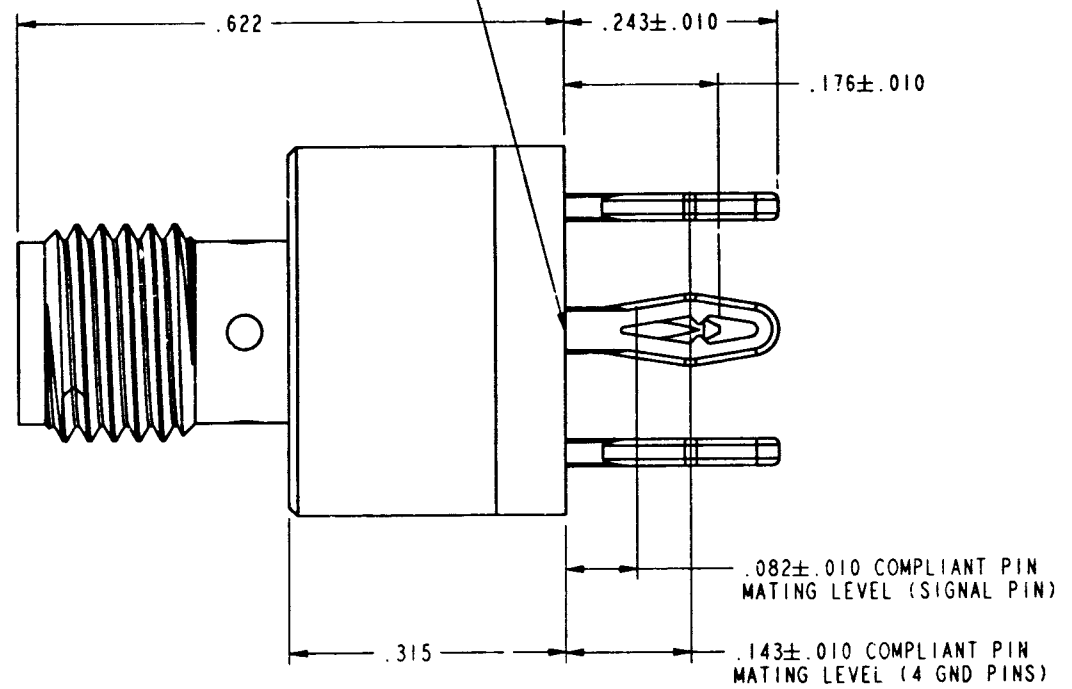
REVISIONS

REV	DESCRIPTION	DATE	ECO	APPR
A	RELEASE TO MFG.		42700	CPM/
B	PIN MATING LEVEL TOLERANCE ADDED		42785	FO
C	DRAWING WAS REVISED TO SHOW 901-144-PF8-02	1/28/99	42807	FO



SCALE 3 000

THIS VIEW IS SHOWN WITH SIDE GROUND PINS MISSING TO SHOW THE SIGNAL PIN.



P.C. BOARD HOLE LOCATION  
RECOMMENDED BOARD THICKNESS: 0.215 IN. - 0.315 IN. THICK

CUSTOMER OUTLINE DRAWING FOR REFERENCE ONLY

NOTE:

- MATERIAL OF CONSTRUCTION:  
BODY - BRASS, GOLD PLATED  
CONTACT - BERYLLIUM COPPER, GOLD PLATED  
INSULATOR - TEFLON  
COMPLIANT PINS - PHOSPHOR BRONZE, TIN PLATED
- DO NOT SCALE THIS DRAWING.
- PACKAGE IN BAG 999-284, MARK BAG WITH AMPHENOL PART NUMBER AND DATE CODE ("YYWW").

UNLESS OTHERWISE SPECIFIED, DIMENSIONS ARE IN INCHES AND TOLERANCES ARE:  
2 PLACE DECIMAL ±.015 (0.381 mm) 3 PLACE DECIMAL ±.005 (0.127 mm) ANGLES ± 1°

NOTICE - These drawings, specifications, or other data (1) are, and remain the property of Amphenol Corp. (2) must be returned upon request; and (3) are confidential and not to be disclosed to any person other than those to whom they are given by Amphenol Corp. The furnishing of these drawings, specifications, or other data by Amphenol Corp., or to any other person to anyone for any purpose is not to be regarded by implication or otherwise in any manner licensing, granting rights or permitting such holder or any other person to manufacture, use or sell any product, process or design, patented or otherwise, that may in any way be related to or disclosed by said drawings, specifications, or other data.

MATERIAL  
DRAWN F. ORBETA DATE 22-Oct-98  
ENGINEER F. ORBETA DATE 22-Oct-98  
APPROVED [Signature] DATE 1/22/99  
REFERENCE EAR #967042-0 GEN #ASSYF24-SMA  
CAD FILE I:\SMA\901-144-PF8

TITLE PRESS FIT SMA CONNECTOR  
CODE ID 74868 DWG SIZE B DRAWING NO. 901-144-PF8

Amphenol  
Amphenol Corporation  
Communication and Network  
Products Division  
Danbury, CT U.S.A. 06810  
SCALE: 5.0:1 SHEET 1 OF 1

REV C