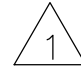

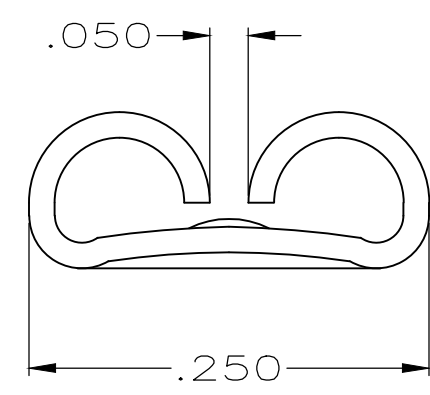
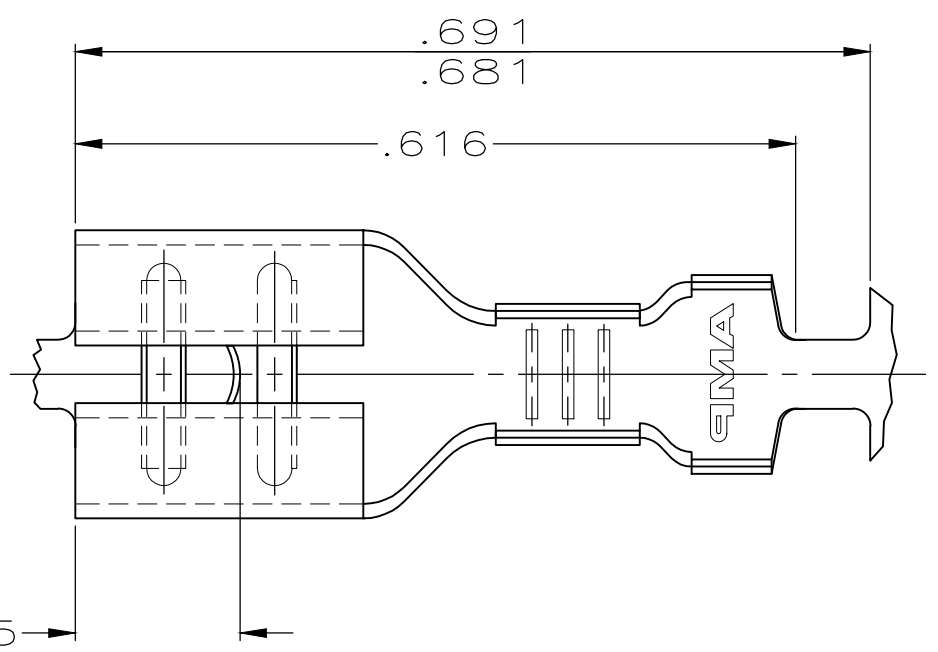


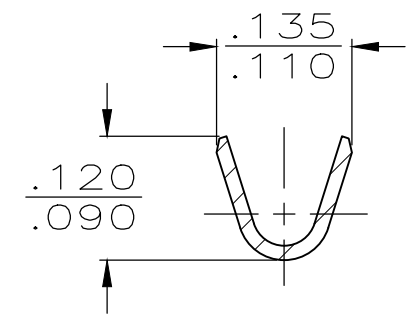
THIS DRAWING IS UNPUBLISHED. RELEASED FOR PUBLICATION  
 © COPYRIGHT - By - ALL RIGHTS RESERVED.

LOC	DIST	REVISIONS			
P	LTR	DESCRIPTION	DATE	DWN	APVD
AF	50	V1	REVISED PER ECR-19-009695	08JUL2019	BDA DH

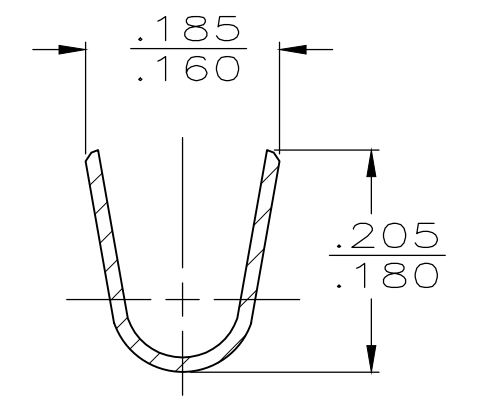
-  1 BRASS
-  2 TEMPER 3 PHOS BRONZE



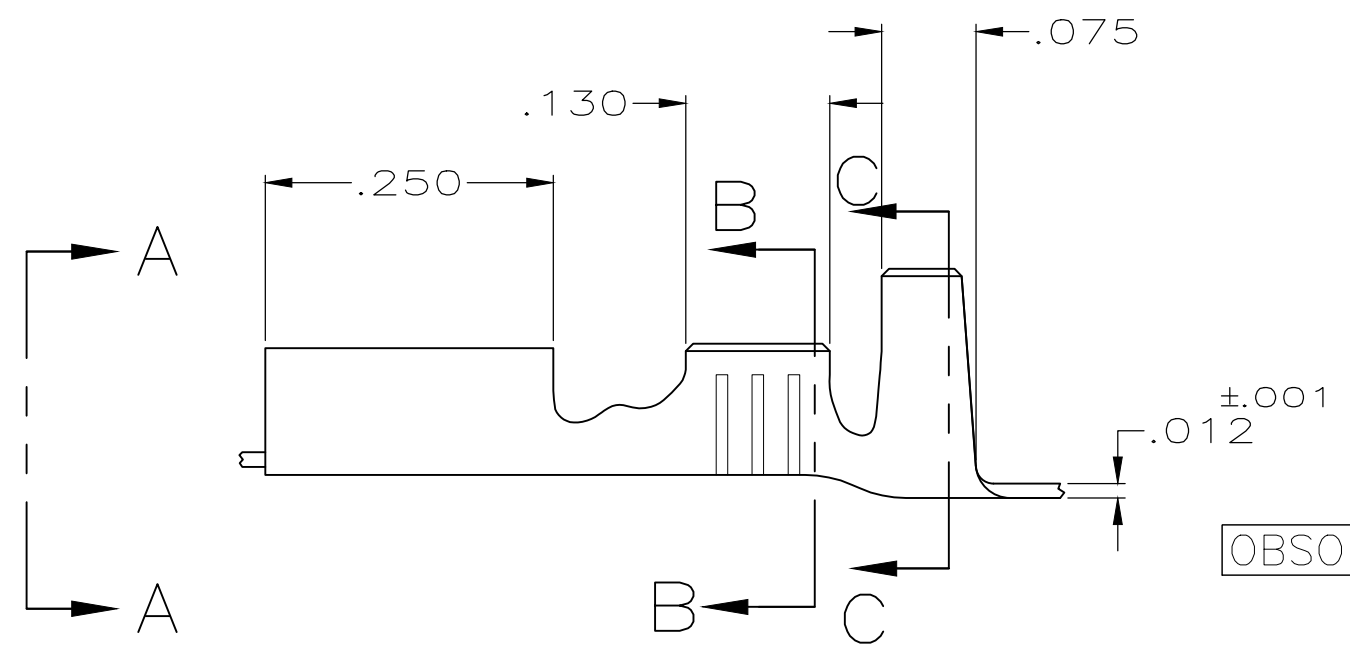
VIEW A-A




SECT. B-B



SECT. C-C



OBSOLETE	 2 TIN	.085-.125 DIA	#22-#18 AWG	<del>42198-3</del>
	 1 TIN			42198-2
	 1 NONE			42198-1
MATERIAL & FINISH		INSULATION RANGE	WIRE SIZE	PART NO.

THIS DRAWING IS A CONTROLLED DOCUMENT.		DWN JR RUTH 8/16/95	 TE Connectivity														
DIMENSIONS: INCHES		CHK MS FEHER 8/16/95															
TOLERANCES UNLESS OTHERWISE SPECIFIED:		APVD P DESANTIS 8/16/95	NAME RECEPTACLE, FASTON, .205 SERIES														
<table border="1"> <tr><td>0 PLC</td><td>± -</td></tr> <tr><td>1 PLC</td><td>± -</td></tr> <tr><td>2 PLC</td><td>± -</td></tr> <tr><td>3 PLC</td><td>± .015</td></tr> <tr><td>4 PLC</td><td>± -</td></tr> <tr><td>ANGLES</td><td>± -</td></tr> </table>		0 PLC	± -	1 PLC	± -	2 PLC	± -	3 PLC	± .015	4 PLC	± -	ANGLES	± -	PRODUCT SPEC	RESTRICTED TO		
0 PLC	± -																
1 PLC	± -																
2 PLC	± -																
3 PLC	± .015																
4 PLC	± -																
ANGLES	± -																
MATERIAL SEE TABLE		FINISH SEE TABLE	APPLICATION SPEC	SIZE A3	CAGE CODE 00779												
		WEIGHT -	DRAWING NO C-42198		REV V1												
CUSTOMER DRAWING			SCALE 6:1	SHEET 1 OF 1													