

Ratings

Voltage: 300 V
 Temperature: -25 ~ 80 °C
 Flammability: VW-1

Conductor

Conductor count: 1
 Gauge: 18 AWG 0.82 mm²
 Material: tinned copper strands
 Strand size: $\varnothing 0.16 \times 41$
 Resistance at 20 °C: 23.2 Ω /km max

Insulator

Material: PVC
 Color: white
 Diameter: $\varnothing 2.05 \pm 0.10$ mm
 Nominal thickness: 0.41 mm
 Resistance at 20 °C: 10 M Ω /km min

Shield

Type: spiral
 Material: tinned copper strands
 Stranding: $\varnothing 0.16 \times 41$
 Coverage: 90% minimum

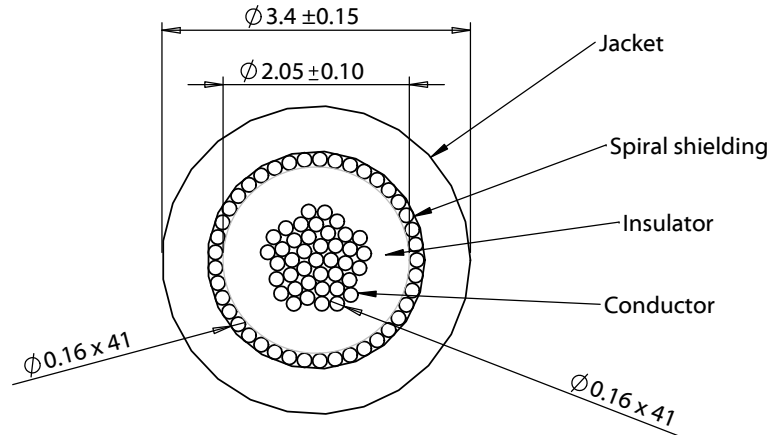
Outer jacket

Material: PVC
 Color: white
 Diameter: $\varnothing 3.4 \pm 0.15$ mm
 Nominal thickness: 0.50 mm

Wire marking: E339579 UL AWM STYLE 1185 18 AWG 80°C
 300V VW-1 --- cUL AWM I A 80°C 300V FT1 TENSILITY

Tests

Insulation tensile strength: 2.11 kgf/mm²
 Jacket tensile strength: 1.05 kgf/mm²
 After aging at 113 ± 2 °C for 7 days:
 Minimum tensile strength 70 % original
 Minimum elongation 65 % original
 Heat shock: 121 ± 1 °C /1 hour, no observed degradation
 Deformation: 121 ± 1 °C /1 hour, ≤ 50 %
 Cold bend: -10 ± 2 °C /1 hour, no observed cracking



Revision:	Date:	Description:	Prepared:	Notes: RoHS and REACH compliant	<h1>TENSILITY</h1> <p>tel 1.541.323.3228 800 877.670.7118 fax 1.541.323.4202 web tensility.com</p>
A	06/20/2014	Initial release	Verified:		
A1	09/07/2018	Increased operating temperature range	Dimensions are in millimeters. Tolerances: X: ± 0.5 mm X.X: ± 0.3 mm X.XX: ± 0.05 mm	Description:	Size: Part number:
				Wire, 1C TS, 18 AWG, UL1185, 300V, 80C, 3.4 mm, shielded, VW-1, PVC, white	A 30-00336
				Scale: 12:1	Sheet 1 of 1

5

4

3

2

1