

NOTES:

1. ELECTRICAL:

- VOLTAGE RATING PER IEC 60664: 300V
- VOLTAGE RATING PER UL: 300V
- CURRENT: 8A

2. TEMP RATING: -25° TO +80°C

3. PROTECTION: IP67 (WHEN MATED)

4. COUPLING THREAD" 7/8-16

5. AGENCY:

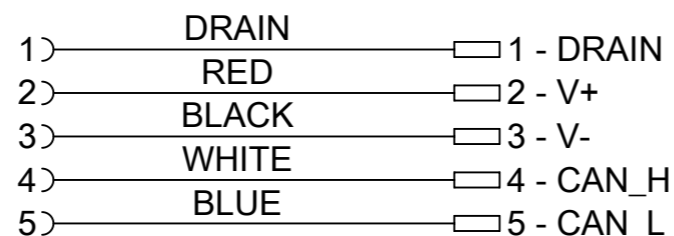
- UL RECOGNIZED, FILE: E152210
- CSA CERTIFICATION FILE: LR6837

6 ALL DIMS ARE FOR REFERENCE

UNLES NOTED OTHERWISE

7. PART NUMBER WITH "H" HAVE TWO ID MARKERS ONE ON EACH END

WIRING DIAGRAM



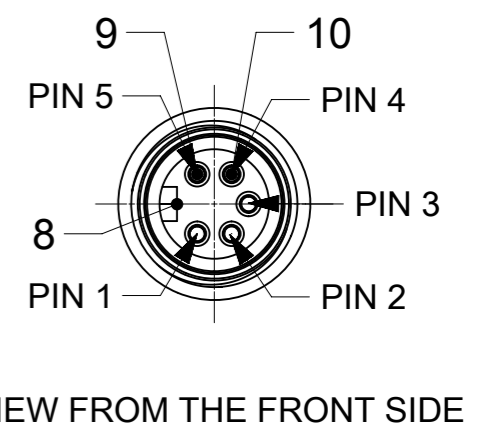
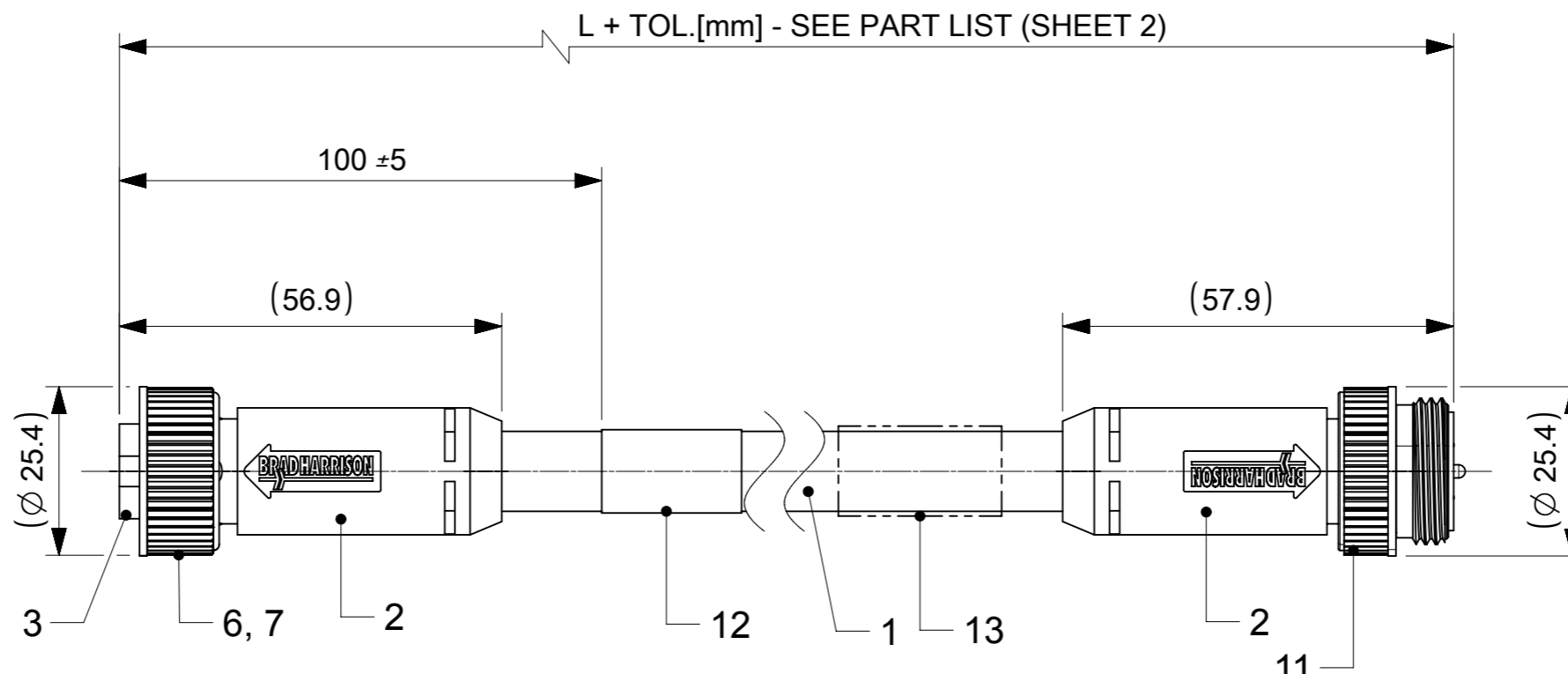
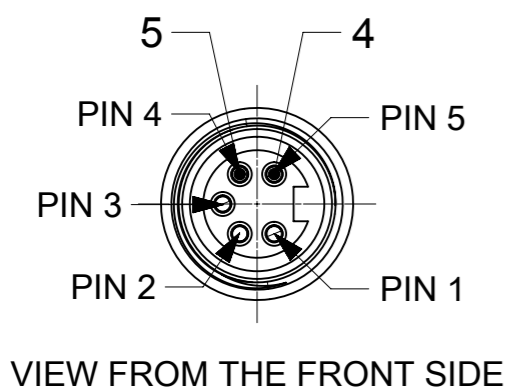
PART No. MATRIX



Units: M = Meter

Length Examples:
005 = 0.5 m
010 = 1 m
050 = 5 m
100 = 10 m
150 = 15 m

OPTIONAL:
H= ID CARRIER



BILL OF MATERIALS

ITEM	QTY	DESCRIPTION	MATERIAL	FINISH/COLOR
13	2	ID CARRIER	PVC	-
12	1	LABEL WRAP	VINYL	YELLOW
11	1	COUPLING NUT A-SIZE EXT.	ZINC	BLACK
10	2	PIN CONTACT 16 AWG	COPPER	GOLD OVER Ni-PLATED
9	3	PIN CONTACT 18 AWG	COPPER	GOLD OVER Ni-PLATED
8	1	HOUSING A-SIZE 5P MALE	PVC	GRAY
7	1	FRICTION RING A-SIZE	NYLON	GRAY
6	1	MC COUPLING NUT A-SIZE	ZINC	BLACK
5	2	MC SOCKET SLEEVE ASSY 16 AWG	COPPER	GOLD OVER Ni-PLATED
4	3	MC SOCKET SLEEVE ASSY 18 AWG	COPPER	GOLD OVER Ni-PLATED
3	1	HOUSING A-SIZE 5P FEMALE	PVC	GRAY
2	-	MOULDING MATERIAL	PVC	GRAY
1	-	TRUNK CABLE 19X30 AWG OD=12	PVC	GRAY
ITEM	QTY	DESCRIPTION	MATERIAL	FINISH/COLOR

THIS DRAWING CONTAINS INFORMATION THAT IS PROPRIETARY TO MOLEX ELECTRONIC TECHNOLOGIES, LLC AND SHOULD NOT BE USED WITHOUT WRITTEN PERMISSION

SYMBOLS: DIMENSION UNITS: mm SCALE: 1:1

GENERAL TOLERANCES (UNLESS SPECIFIED): ANGULAR TOL ± °

4 PLACES ±
3 PLACES ±
2 PLACES ± 0.05
1 PLACE ± 0.3
0 PLACES ± 0.5

DRAFT WHERE APPLICABLE MUST REMAIN WITHIN DIMENSIONS

THIRD ANGLE PROJECTION

CURRENT REV DESC:
EC NO: 604208
DRWN: MKOWALCZYK01 2018/09/07
CHK'D: MMATLA 2018/09/11
APPR: MMATLA 2018/09/11

INITIAL REVISION:
DRWN: MKOWALCZYK01 2018/09/07
APPR: MMATLA 2018/09/11

molex

CSE MC 5P FE STR PVC MA STR 25M DE

PRODUCT CUSTOMER DRAWING

DOCUMENT NUMBER: 1300250051
DOC TYPE: PSD
DOC PART: 000
REVISION: A

MATERIAL NUMBER: SEE SHEET 2
CUSTOMER: GENERAL MARKET
SHEET NUMBER: 1 OF 2

DRAWING: A3-SIZE
SERIES: 130025

6

5

4

3

2

1

PART LIST

MOLEX PN	ENGINEERING NO.	LENGTH + TOL.[mm]
1300240329	DN11A-M650	65000 + 1300
1300250051	DN11A-M005	500 + 45
1300250054	DN11A-M010	1000 + 56
1300250058	DN11A-M015	1500 + 56
1300250061	DN11A-M020	2000 + 89
1300250067	DN11A-M030	3000 + 89
1300250071	DN11A-M040	4000 + 165
1300250073	DN11A-M050	5000 + 165
1300250076	DN11A-M060	6000 + 165
1300250079	DN11A-M070	7000 + 165
1300250081	DN11A-M080	8000 + 317
1300250083	DN11A-M090	9000 + 317
1300250085	DN11A-M100	10000 + 317
1300250087	DN11A-M120	12000 + 317
1300250090	DN11A-M130	13000 + 317
1300250091	DN11A-M140	14000 + 317
1300250092	DN11A-M150	15000 + 610
1300250095	DN11A-M180	18000 + 610
1300250097	DN11A-M200	20000 + 610
1300250099	DN11A-M210	21000 + 610
1300250102	DN11A-M240	24000 + 610
1300250103	DN11A-M250	25000 + 610
1300250105	DN11A-M270	27000 + 610
1300250108	DN11A-M300	30000 + 610

MOLEX PN	ENGINEERING NO.	LENGTH + TOL.[mm]
1300250114	DN11A-M350	35000 + 700
1300250117	DN11A-M400	40000 + 800
1300250119	DN11A-M450	45000 + 900
1300250122	DN11A-M500	50000 + 1000
1300250128	DN11A-M750	75000 + 1500
1300250649	DN11A-M005H	500 + 45
1300250652	DN11A-M050H	5000 + 165
1300250654	DN11A-M060H	6000 + 165

SYMBOLS										THIS DRAWING CONTAINS INFORMATION THAT IS PROPRIETARY TO MOLEX ELECTRONIC TECHNOLOGIES, LLC AND SHOULD NOT BE USED WITHOUT WRITTEN PERMISSION														
DIMENSION UNITS					SCALE					CURRENT REV DESC:														
mm					1:1					<p>molex</p> <p>CSE MC 5P FE STR PVC MA STR 25M DE</p> <p>PRODUCT CUSTOMER DRAWING</p> <p>DOCUMENT NUMBER: 1300250051 DOC TYPE: PSD DOC PART: 000 REVISION: A</p> <p>EC NO: 604208 DRWN: MKOWALCZYK01 2018/09/07 CHK'D: MMATLA 2018/09/11 APPR: MMATLA 2018/09/11</p> <p>INITIAL REVISION: DRWN: MKOWALCZYK01 2018/09/07 APPR: MMATLA 2018/09/11</p> <p>MATERIAL NUMBER: SEE PART LIST CUSTOMER: GENERAL MARKET SHEET NUMBER: 2 OF 2</p>														
GENERAL TOLERANCES (UNLESS SPECIFIED)																								
ANGULAR TOL ± °																								
4 PLACES ±					3 PLACES ±																			
3 PLACES ±					2 PLACES ± 0.05																			
2 PLACES ±					1 PLACE ± 0.3																			
1 PLACE ±					0 PLACES ± 0.5																			
0 PLACES ±					DRAFT WHERE APPLICABLE MUST REMAIN WITHIN DIMENSIONS																			
DRAFT WHERE APPLICABLE MUST REMAIN WITHIN DIMENSIONS					THIRD ANGLE PROJECTION															DRAWING				
DRAFT WHERE APPLICABLE MUST REMAIN WITHIN DIMENSIONS					SERIES															MATERIAL NUMBER				
DRAFT WHERE APPLICABLE MUST REMAIN WITHIN DIMENSIONS					A4-SIZE					130025														

DOCUMENT STATUS	P1	RELEASE DATE	2018/09/11	07:18:45
-----------------	----	--------------	------------	----------

6

5

4

3

2

1

FORMAT: master-ib-proof-A4
REVISION: 1
DATE: 2018/01/18

MATERIAL NUMBER	OLD PART NUMBER	FINISHED LENGTH
1300250048	DN11A-M003	0.3M
1300250051	DN11A-M005	0.5M
1300250054	DN11A-M010	1.0M
1300250061	DN11A-M020	2.0M
1300250067	DN11A-M030	3.0M

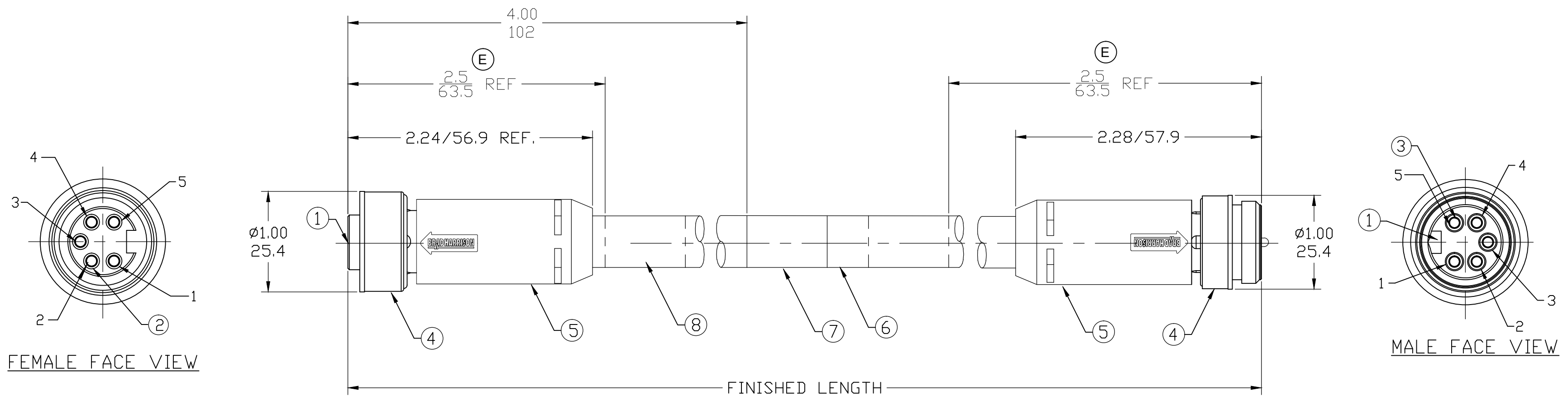
PART NUMBER LEGEND

DN11A-M003H

FINISHED LENGTH: M005= 0.5 METER
M010= 1 METER
M100= 10 METER

ID CARRIER
H - SEE NOTE 9
BLANK - NO ID CARRIER

CABLE LENGTH TOLERANCES	
>.3M [1FT]:	+19mm-0 [+ .75in-0]
.3 - .9M [1 - 3FT]:	+44.5mm-0 [+1.75in-0]
.9 - 1.8M [3 - 6FT]:	+55.6mm-0 [+2.19in-0]
1.8 - 3.7M [6 - 12FT]:	+88.9mm-0 [+3.50in-0]
3.7 - 7.3M [12 - 24FT]:	+165.1mm-0 [+6.50in-0]
7.3-14.6M [24 - 48FT]:	+317.5mm-0 [+12.50in-0]
14.6 - 30.5M [48-100FT]:	+622.3mm-0 [+24.50in-0]
OVER 30M [100FT]	+2% OF FINISHED LENGTH



FEMALE FACE VIEW

MALE FACE VIEW

SCHEMATIC

- 1 - DRAIN
- 2 - V+
- 3 - V-
- 4 - CAN_H
- 5 - CAN_L

- #### NOTES:
- MATERIAL: AS NOTED
 - FINISH: AS NOTED
 - ELECTRICAL:
VOLTAGE RATING PER IEC 60664: 300V
VOLTAGE RATING PER UL: 300V
CURRENT: 8A
 - TEMP RATING: -25° TO +80°C
 - PROTECTION: IP67 (WHEN MATED)
 - COUPLING THREAD: 7/8-16
 - AGENCY:
UL RECOGNIZED, FILE: E152210
CSA CERTIFICATION FILE: LR6837
 - ALL DIMS ARE FOR REFERENCE UNLESS NOTED OTHERWISE
 - PART NUMBERS WITH "H" HAVE TWO ID MARKERS ONE ON EACH END

ITEM	COMPONENT	MATERIAL	FINISH
1	INSERTS	PVC	GRAY
2	CONTACT SOCKET	COPPER ALLOY	GOLD OVER NICKEL
3	CONTACT PIN	COPPER ALLOY	GOLD OVER NICKEL
4	COUPLING NUTS	ZINC DIE CAST	BLACK E-COATED
5	OVERMOLDS	PVC	GRAY
6	CABLE-DEVICENET THICK CABLE 2/15 & 2/18 SHIELD PAIR	PVC	GRAY
7	LABEL	VINYL	BLACK/YELLOW
8	ID CARRIER	PVC	CLEAR

ADD ID MARKERS EC NO: IFC2018-0458 DRWN: MZIELINS 2018/04/10 CHKD: --- APPR: BWOODMAN	QUALITY SYMBOL ▽=0 ▽=0	GENERAL TOLERANCES (UNLESS SPECIFIED) mm INCH 4 PLACES ±--- ±--- 3 PLACES ±--- ±--- 2 PLACES ±--- ±--- 1 PLACE ±--- ±--- ANGULAR ±---°	DIMENSION STYLE INCH/MM DRAWN BY DATE TWOLDEGE 2011/05/26 CHECKED BY DATE VOU APPROVED BY DATE ---	SCALE -- DESIGN UNITS INCH THIRD ANGLE PROJECTION
	DRAFT WHERE APPLICABLE MUST REMAIN WITHIN DIMENSIONS		MATERIAL NO. SEE CHART SIZE C	TITLE MINI CHANGE 5P M/MFE DEVICENET CORDSET MOLEX INCORPORATED DOCUMENT NO. SD-130025-001 SHEET NO. 1 OF 1
	THIS DRAWING CONTAINS INFORMATION THAT IS PROPRIETARY TO MOLEX INCORPORATED AND SHOULD NOT BE USED WITHOUT WRITTEN PERMISSION			