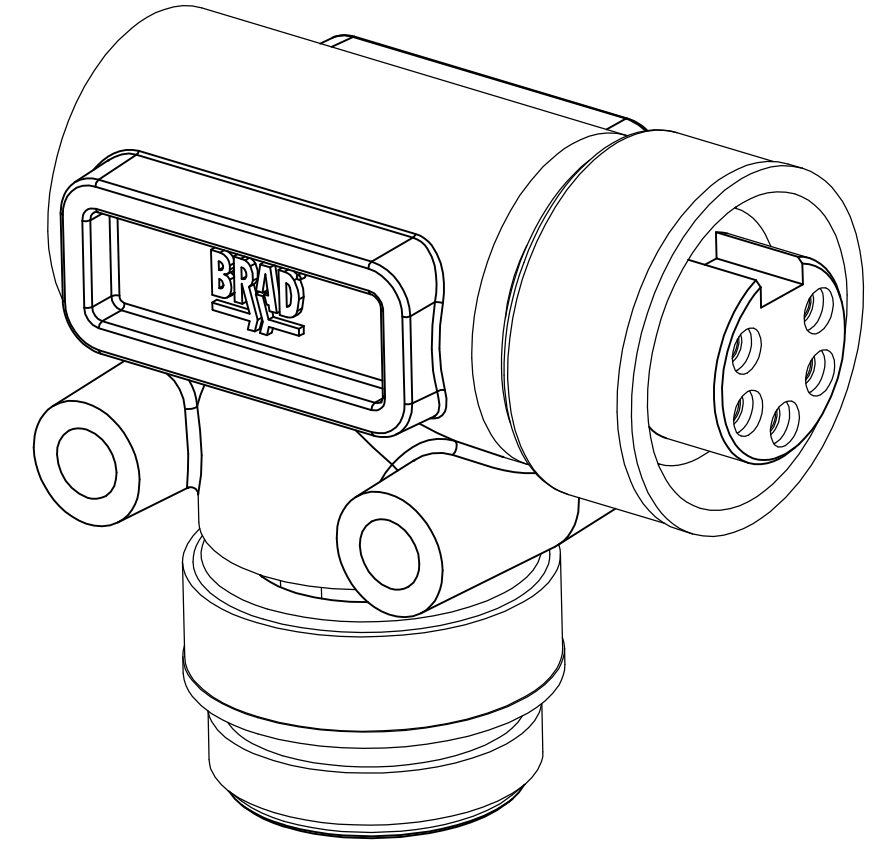
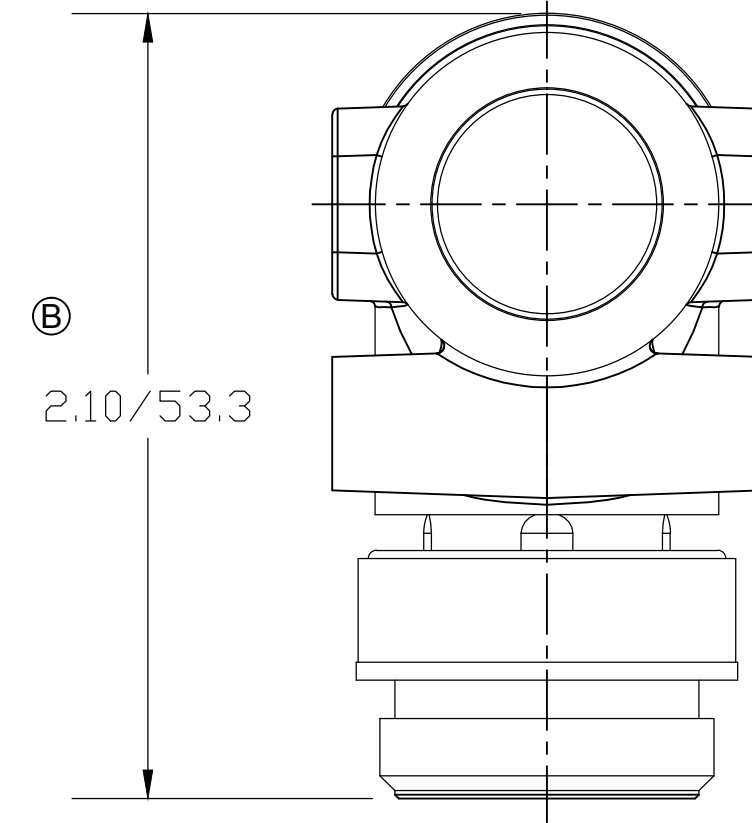
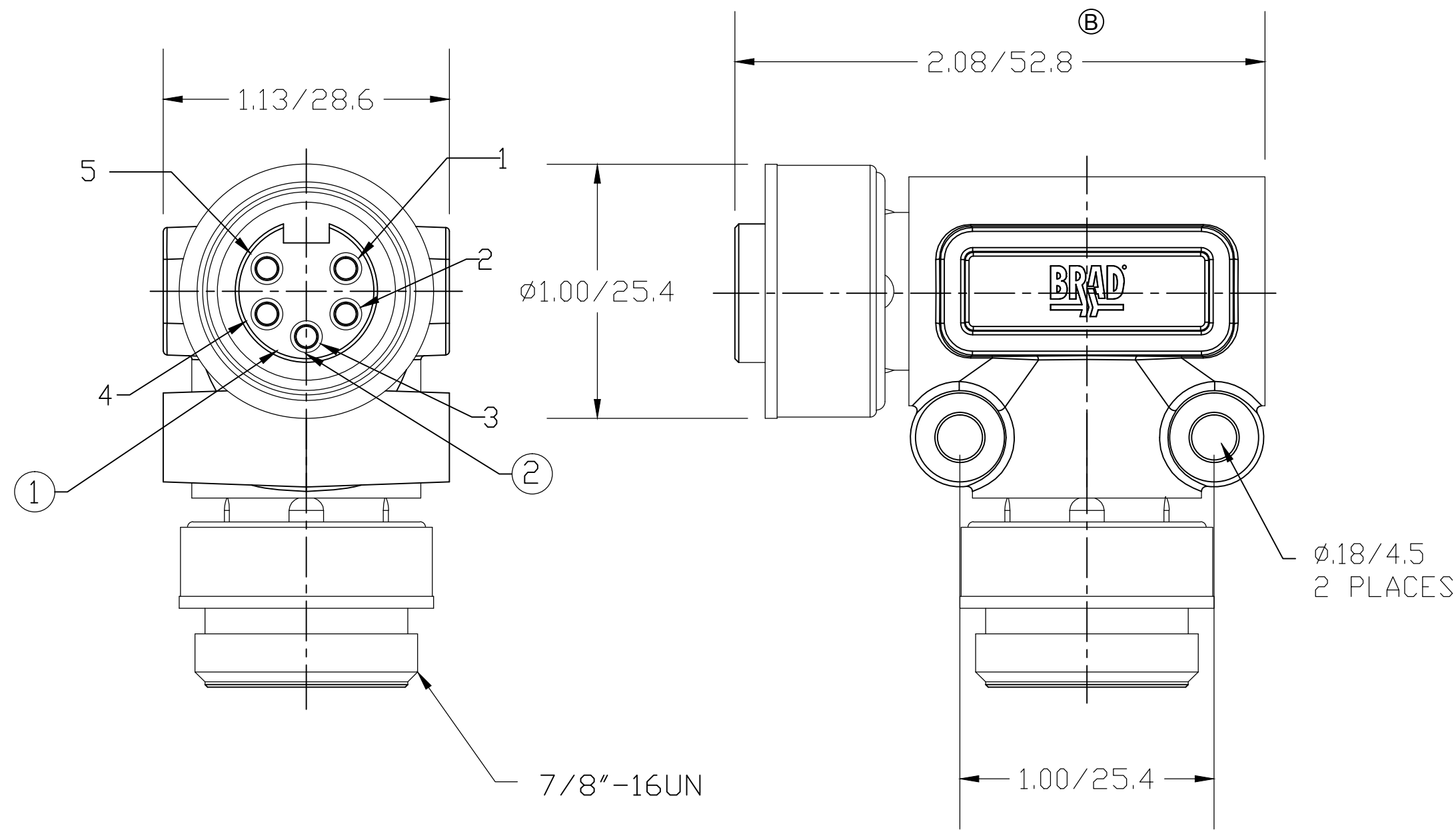
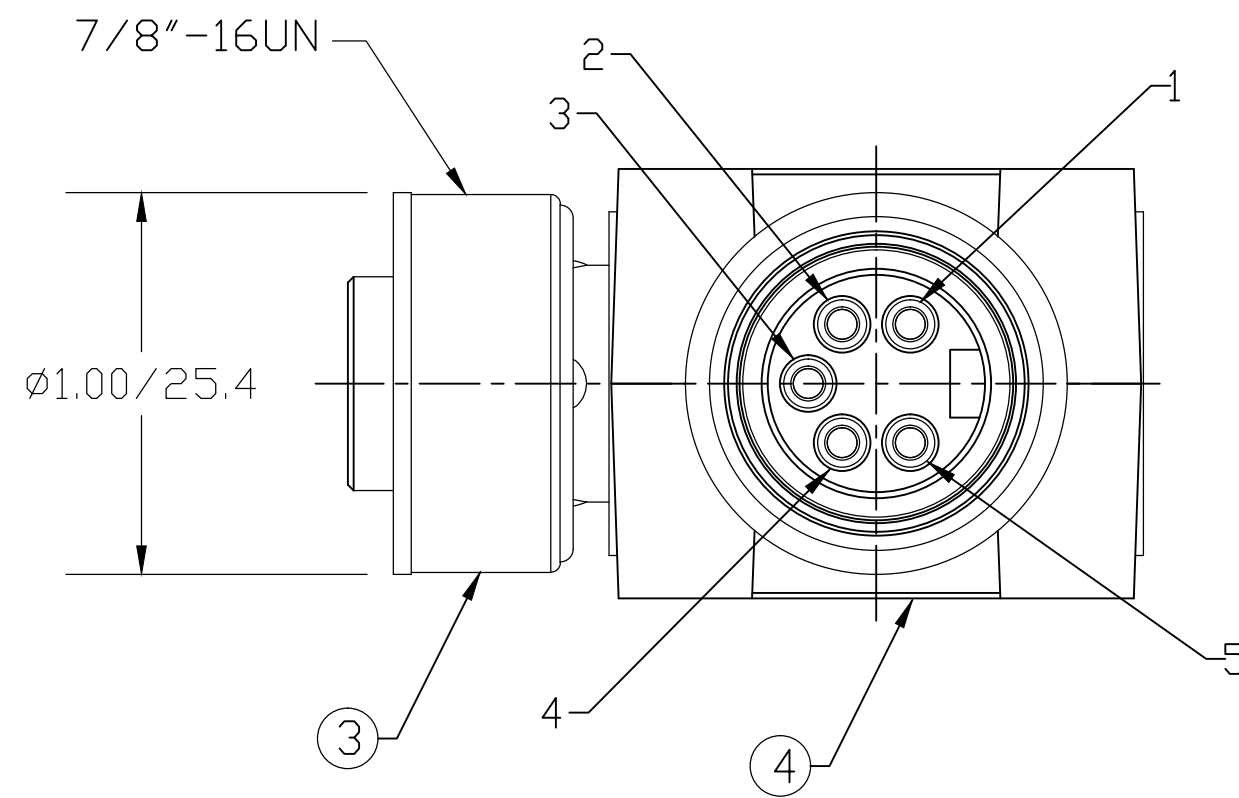
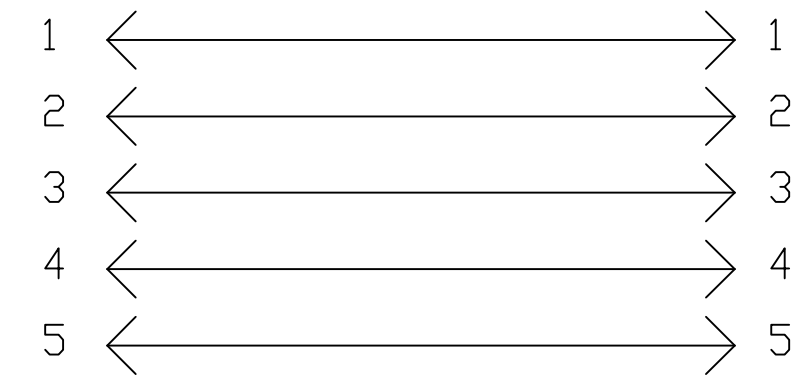


MATERIAL NUMBER	OLD PART NUMBER
130018-0210	41481



SCHEMATIC



VOLTAGE RATING	600 VAC/VDC
AMPERAGE RATING	8 AMPS
PROTECTION	IP67
OPERATING TEMPERATURE	-20°C TO 80°C
UL CERTIFICATIONS	UL RECOGNIZED, FILE NO. E152210
CSA CERTIFICATIONS	CSA CERTIFIED, FILE NO. LR6837

ITEM	COMPONENT	MATERIAL	FINISH
1	INSERT	PVC	YELLOW
2	CONTACT	COPPER ALLOY	GOLD OVER NICKEL
3	COUPLING NUT	ZINC DIE CAST	BLACK E-COATED
4	OVERMOLD	PVC	YELLOW

UPDATE DIMENSIONS	QUALITY SYMBOL
EC NO.: IPG2018-0245	▽=0
DRWN: CCHRSTK 2017/12/04	▽C=0
CH'KD: RSTONE 2017/10/27	
APPR: BWOODMAN	
REV	

GENERAL TOLERANCES (UNLESS SPECIFIED)	
	mm INCH
4 PLACES	±--- ±---
3 PLACES	±--- ±---
2 PLACES	±--- ±.01
1 PLACE	±0.3 ±---
ANGULAR ±---°	
DRAFT WHERE APPLICABLE MUST REMAIN WITHIN DIMENSIONS	

DIMENSION STYLE	
IN/MM	
DRAWN BY	DATE
RDOMZALS	2017/12/01
CHECKED BY	DATE
JM	2009/08/25
APPROVED BY	DATE
---	---
MATERIAL NO.	SEE CHART
SIZE	C

SCALE	DESIGN UNITS	THIRD ANGLE PROJECTION	
---	UNKNOWN		
TITLE			
MC 5P FEMALE/MALE 90 ADAPTER			

MOLEX INCORPORATED		SHEET NO.	
SD-130018-002		1 OF 1	
THIS DRAWING CONTAINS INFORMATION THAT IS PROPRIETARY TO MOLEX INCORPORATED AND SHOULD NOT BE USED WITHOUT WRITTEN PERMISSION			