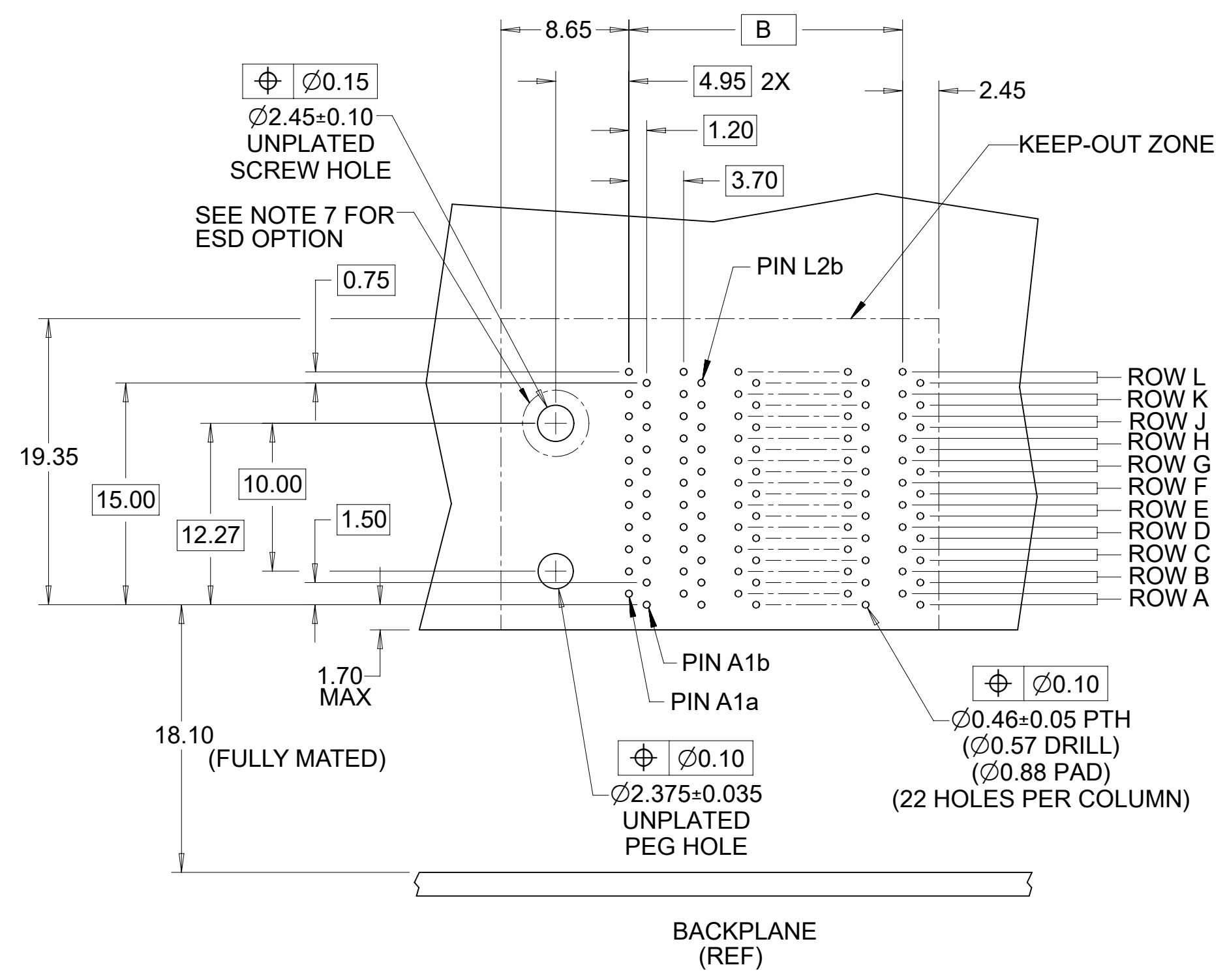
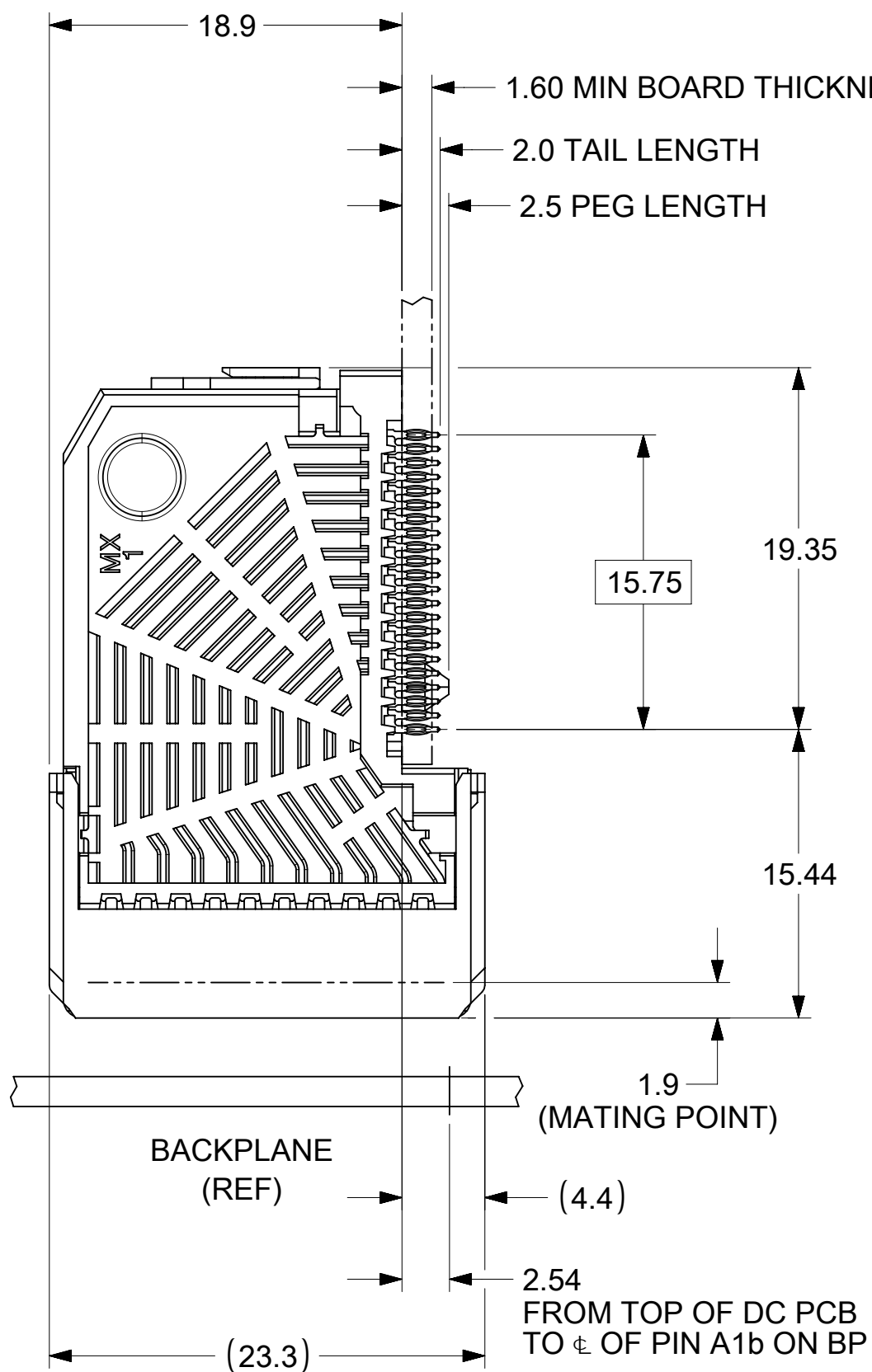


KEY SHOWN IN POSITION "A"



DAUGHTERCARD HOLE PATTERN (CONNECTOR SIDE)

- NOTES:
1. MATERIALS: HOUSING - LIQUID CRYSTAL POLYMER (LCP) GLASS-FILLED, UL94V-0
TERMINALS - HIGH PERFORMANCE COPPER ALLOY
 2. FINISH: SELECTIVE GOLD IN CONTACT AREA.
SELECTIVE MATTE TIN ON PCB TAILS. NICKEL OVERALL.
 3. REFER TO MOLEX PRODUCT SPECIFICATION PS-75710-999 FOR PERFORMANCE SPECS.
 4. PRODUCT IS PACKAGED PER PK-70873-609.
 5. THIS PART CONFORMS TO CLASS B REQUIREMENTS OF COSMETIC SPEC PS-45499-002.
 6. GUIDED PARTS TO BE SHIPPED WITH 2-32 TYPE AB
SELF-TAPPING SCREW P/N 73726-0000.
 7. FOR GROUNDED GUIDE MODULES USE DIA 2.45+/-0.10 (PTH), DIA 2.58 (DRILL),
AND DIA 4.50 (PAD).
 8. MAPS (MOLEX ADVANCED PLATING SYSTEM).

THIS DRAWING CONTAINS INFORMATION THAT IS PROPRIETARY TO MOLEX ELECTRONIC TECHNOLOGIES, LLC AND SHOULD NOT BE USED WITHOUT WRITTEN PERMISSION									
DIMENSION UNITS	SCALE	CURRENT REV DESC: REMASTERED TO NX							
mm	NTS								
GENERAL TOLERANCES (UNLESS SPECIFIED)									
ANGULAR TOL	± 0.5°	I-TRAC DAUGHTERCARD 11 ROW SIGNAL MODULE GUIDE LEFT SALES DWG							
4 PLACES	±	EC NO: 671119 DRWN: YOGEEB 2021/06/24 CHK'D: MMALLIGEVALU 2022/01/28 APPR: CWANG25 2022/02/18							
3 PLACES	±	PRODUCT CUSTOMER DRAWING							
2 PLACES	± 0.13	INITIAL REVISION: DRWN: MCARRANZA 2006/06/19 APPR: JLAURX 2006/06/21							
1 PLACE	± 0.25	DOCUMENT NUMBER		DOC TYPE		DOC PART		REVISION	
0 PLACES	±	SD-75710-002		PSD		001		D1	
DRAFT WHERE APPLICABLE MUST REMAIN WITHIN DIMENSIONS		THIRD ANGLE PROJECTION	DRAWING	SERIES	MATERIAL NUMBER	CUSTOMER	SHEET NUMBER		
			C-SIZE	75710	SEE TABLE	GENERAL MARKET	1 OF 2		

MATERIAL NUMBER	# OF COLUMNS	DIM "A" MAX	DIM "B"
75710-***5	5	25.90	14.80
75710-***6	6	29.60	18.50
75710-***8	8	37.00	25.90
75710-***0	10	44.40	33.30

75710- * * * *

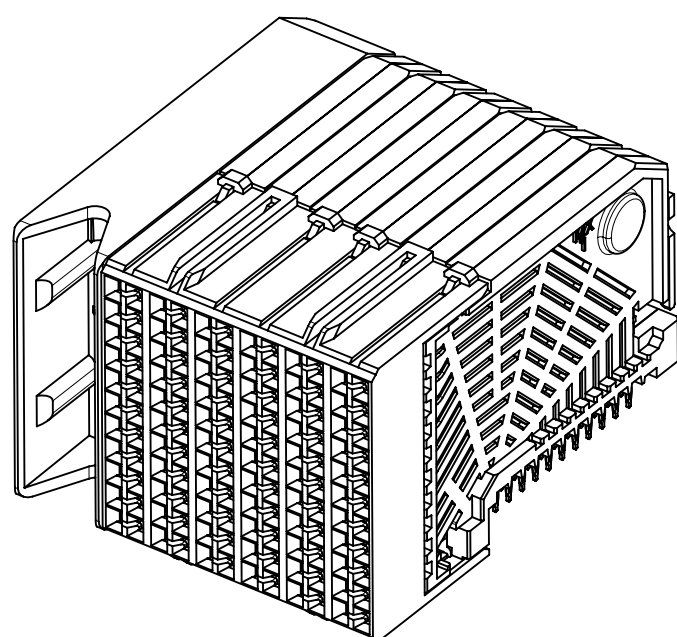
MODULE TYPE -- TAIL PLATING TYPE
 GUIDE LEFT -- MATTE TIN (FORMERLY TIN/LEAD)= 2
 GUIDE LEFT -- MATTE TIN = 3

POLARIZATION KEY ORIENTATION

- 0 = NO KEY
- 1 = A 5 = E
- 2 = B 6 = F
- 3 = C 7 = G
- 4 = D 8 = H

OF COLUMNS/PLATING

- 05 = 5 COL 30 GOLD
- 06 = 6 COL 30 GOLD
- 08 = 8 COL 30 GOLD
- 10 = 10 COL 30 GOLD
- 55 = 5 COL W/ESD 30 GOLD
- 56 = 6 COL W/ESD 30 GOLD
- 58 = 8 COL W/ESD 30 GOLD
- 50 = 10 COL W/ESD 30 GOLD
- 25 = 5 COL 10 GOLD (MAPS)
- 26 = 6 COL 10 GOLD (MAPS)
- 28 = 8 COL 10 GOLD (MAPS)
- 20 = 10 COL 10 GOLD (MAPS)
- 65 = 5 COL W/ESD 10 GOLD (MAPS)
- 66 = 6 COL W/ESD 10 GOLD (MAPS)
- 68 = 8 COL W/ESD 10 GOLD (MAPS)
- 60 = 10 COL W/ESD 10 GOLD (MAPS)



THIS DRAWING CONTAINS INFORMATION THAT IS PROPRIETARY TO MOLEX ELECTRONIC TECHNOLOGIES, LLC AND SHOULD NOT BE USED WITHOUT WRITTEN PERMISSION													
DIMENSION UNITS	SCALE	CURRENT REV DESC: REMASTERED TO NX											
mm	NTS												
GENERAL TOLERANCES (UNLESS SPECIFIED)							I-TRAC DAUGHTERCARD 11 ROW SIGNAL MODULE GUIDE LEFT SALES DWG						
ANGULAR TOL	± 0.5°						PRODUCT CUSTOMER DRAWING						
4 PLACES	±	EC NO: 671119		2021/06/24		DOCUMENT NUMBER: SD-75710-002 DOC TYPE: PSD DOC PART: 001 REVISION: D1							
3 PLACES	±	DRWN: YOGEEB		2022/01/28									
2 PLACES	± 0.13	CHK'D: MMALLIGEVALU		2022/02/18									
1 PLACE	± 0.25	INITIAL REVISION:											
0 PLACES	±	DRWN: MCARRANZA		2006/06/19									
DRAFT WHERE APPLICABLE MUST REMAIN WITHIN DIMENSIONS		THIRD ANGLE PROJECTION		DRAWING		SERIES		MATERIAL NUMBER		CUSTOMER		SHEET NUMBER	
				C-SIZE		75710		SEE TABLE		GENERAL MARKET		2 OF 2	