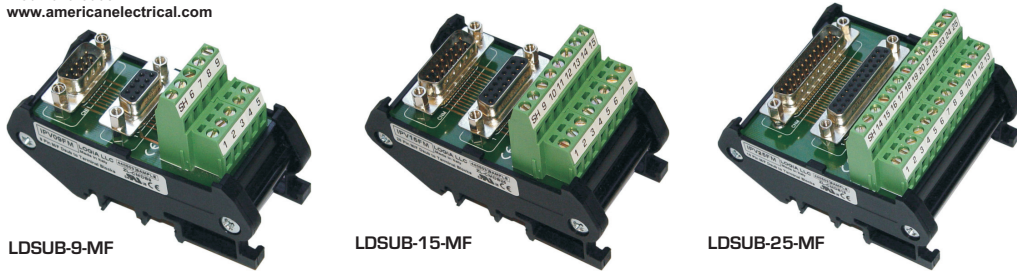




American Electrical, Inc.  
Suite 9-B Richmond, VA. 23236  
1-804-379-2899 OFC  
1-804-379-8935 FAX  
www.americanelectrical.com

## CONNECTOR MODULES

### 9, 15, 25 Pin Male & Female Dsub to Terminal Blocks



LDSUB-9-MF

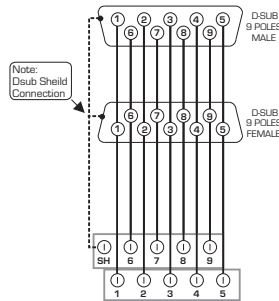
LDSUB-15-MF

LDSUB-25-MF

Type:  
**LDSUB-9-MF**

**WIRING  
DIAGRAM**

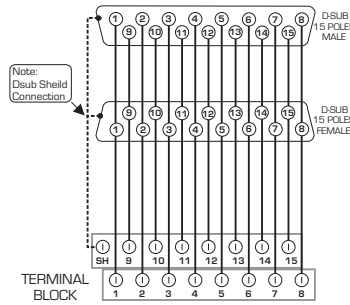
D-Subminiature Modules	
Part Number	LDSUB-9-MF
Description	9-pin male and female Dsub to terminal blocks
Approvals	UL / CUL / CE
Voltage Ratings	50VAC / 75VDC
Maximum Current per Channel	1A
Number of Channels	9
Wire Range (Rated Cross Section)	12 - 20 AWG (0.2 - 2.5mm <sup>2</sup> )
Operating Temperature Range	-10°C to +50°C
Wire Strip Length	0.32" (8mm)
Terminal Block Contacts	Copper alloy, tin lead plating
Dimensions (L x W x H)	1.53"(39mm) x 2.48"(63mm) x 2.58"(93mm)



Type:  
**LDSUB-15-MF**

**WIRING  
DIAGRAM**

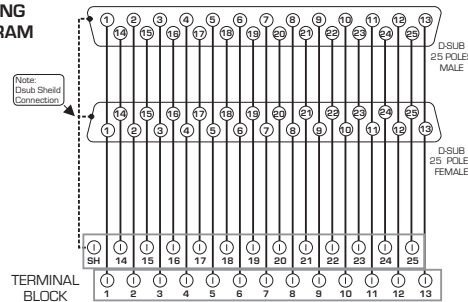
D-Subminiature Modules	
Part Number	LDSUB-15-MF
Description	15-pin male and female Dsub to terminal blocks
Approvals	UL / CUL / CE
Voltage Ratings	50VAC / 75VDC
Maximum Current per Channel	1A
Number of Channels	15
Wire Range (Rated Cross Section)	12 - 20 AWG (0.2 - 2.5mm <sup>2</sup> )
Operating Temperature Range	-10°C to +50°C
Wire Strip Length	0.32" (8mm)
Terminal Block Contacts	Copper alloy, tin lead plating
Dimensions (L x W x H)	1.93"(49mm) x 2.48"(63mm) x 2.58"(93mm)



Type:  
**LDSUB-25-MF**

**WIRING  
DIAGRAM**

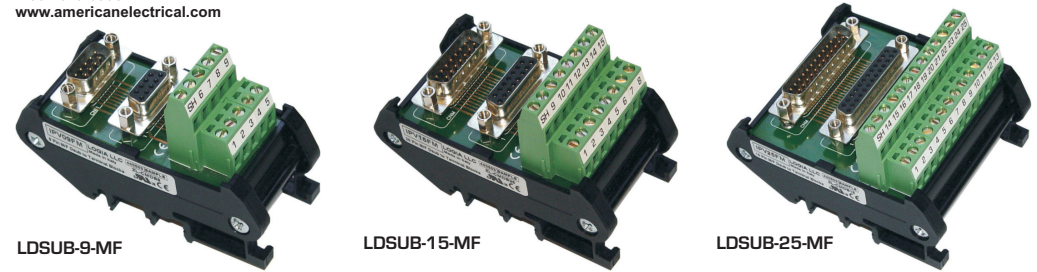
D-Subminiature Modules	
Part Number	LDSUB-25-MF
Description	25-pin male and female Dsub to terminal blocks
Approvals	UL / CUL / CE
Voltage Ratings	50VAC / 75VDC
Maximum Current per Channel	1A
Number of Channels	25
Wire Range (Rated Cross Section)	12 - 20 AWG (0.2 - 2.5mm <sup>2</sup> )
Operating Temperature Range	-10°C to +50°C
Wire Strip Length	0.32" (8mm)
Terminal Block Contacts	Copper alloy, tin lead plating
Dimensions (L x W x H)	2.87"(73mm) x 2.48"(63mm) x 2.58"(93mm)



American Electrical, Inc.  
Suite 9-B Richmond, VA. 23236  
1-804-379-2899 OFC  
1-804-379-8935 FAX  
www.americanelectrical.com

## CONNECTOR MODULES

### 9, 15, 25 Pin Male & Female Dsub to Terminal Blocks



LDSUB-9-MF

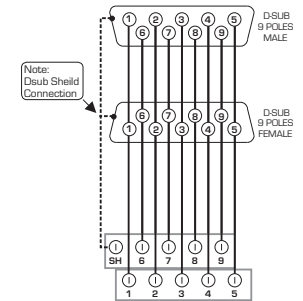
LDSUB-15-MF

LDSUB-25-MF

Type:  
**LDSUB-9-MF**

**WIRING  
DIAGRAM**

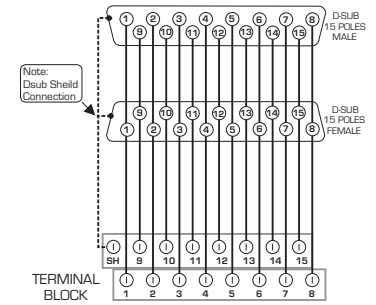
D-Subminiature Modules	
Part Number	LDSUB-9-MF
Description	9-pin male and female Dsub to terminal blocks
Approvals	UL / CUL / CE
Voltage Ratings	50VAC / 75VDC
Maximum Current per Channel	1A
Number of Channels	9
Wire Range (Rated Cross Section)	12 - 20 AWG (0.2 - 2.5mm <sup>2</sup> )
Operating Temperature Range	-10°C to +50°C
Wire Strip Length	0.32" (8mm)
Terminal Block Contacts	Copper alloy, tin lead plating
Dimensions (L x W x H)	1.53"(39mm) x 2.48"(63mm) x 2.58"(93mm)



Type:  
**LDSUB-15-MF**

**WIRING  
DIAGRAM**

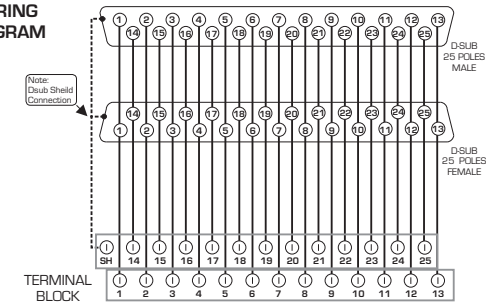
D-Subminiature Modules	
Part Number	LDSUB-15-MF
Description	15-pin male and female Dsub to terminal blocks
Approvals	UL / CUL / CE
Voltage Ratings	50VAC / 75VDC
Maximum Current per Channel	1A
Number of Channels	15
Wire Range (Rated Cross Section)	12 - 20 AWG (0.2 - 2.5mm <sup>2</sup> )
Operating Temperature Range	-10°C to +50°C
Wire Strip Length	0.32" (8mm)
Terminal Block Contacts	Copper alloy, tin lead plating
Dimensions (L x W x H)	1.93"(49mm) x 2.48"(63mm) x 2.58"(93mm)



Type:  
**LDSUB-25-MF**

**WIRING  
DIAGRAM**

D-Subminiature Modules	
Part Number	LDSUB-25-MF
Description	25-pin male and female Dsub to terminal blocks
Approvals	UL / CUL / CE
Voltage Ratings	50VAC / 75VDC
Maximum Current per Channel	1A
Number of Channels	25
Wire Range (Rated Cross Section)	12 - 20 AWG (0.2 - 2.5mm <sup>2</sup> )
Operating Temperature Range	-10°C to +50°C
Wire Strip Length	0.32" (8mm)
Terminal Block Contacts	Copper alloy, tin lead plating
Dimensions (L x W x H)	2.87"(73mm) x 2.48"(63mm) x 2.58"(93mm)

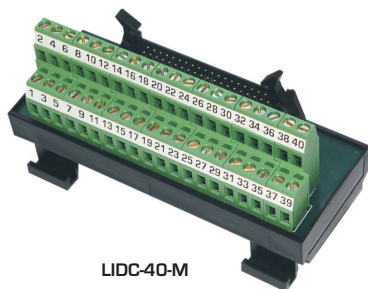
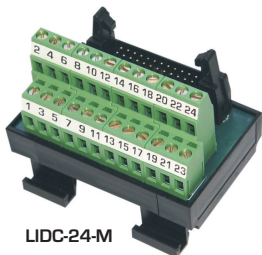
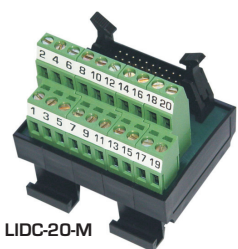




American Electrical, Inc.  
Suite 9-B Richmond, VA. 23236  
1-804-379-2899 OFC  
1-804-379-8935 FAX  
www.americanelectrical.com

## CONNECTOR MODULES

### 20, 24, 40 Pin Male Ribbon-Cable to Terminal Blocks



LIDC-20-M

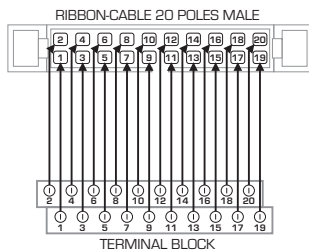
LIDC-24-M

LIDC-40-M

Type:  
**LIDC-20-M**

WIRING  
DIAGRAM

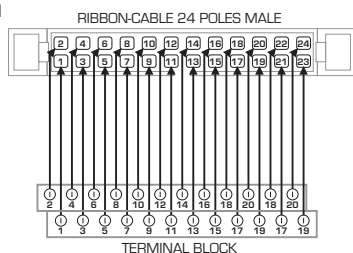
Ribbon-Cable Modules	
Part Number	LIDC-20-M
Description	20-pin male Ribbon-Cable to terminal blocks
Approvals	UL / CUL / CE
Voltage Ratings	120VAC
Maximum Current per Channel	2A
Number of Channels	20
Wire Range (Rated Cross Section)	12 - 20 AWG (0.2 - 2.5mm <sup>2</sup> )
Operating Temperature Range	-10°C to +50°C
Wire Strip Length	0.32" (8mm)
Terminal Block Contacts	Copper alloy, tin lead plating
Dimensions (L x W x H)	2.26"(57.5mm) x 1.85"(47mm) x 2.17"(55mm)



Type:  
**LIDC-24-M**

WIRING  
DIAGRAM

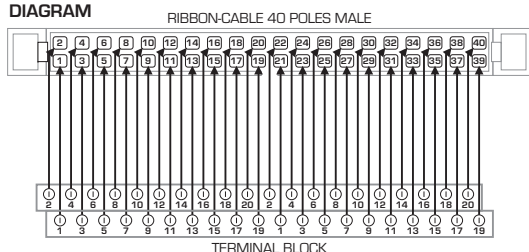
Ribbon-Cable Modules	
Part Number	LIDC-24-M
Description	24-pin male Ribbon-Cable to terminal blocks
Approvals	UL / CUL / CE
Voltage Ratings	120VAC
Maximum Current per Channel	2A
Number of Channels	24
Wire Range (Rated Cross Section)	12 - 20 AWG (0.2 - 2.5mm <sup>2</sup> )
Operating Temperature Range	-10°C to +50°C
Wire Strip Length	0.32" (8mm)
Terminal Block Contacts	Copper alloy, tin lead plating
Dimensions (L x W x H)	2.72"(69mm) x 1.85"(47mm) x 2.17"(55mm)



Type:  
**LIDC-40-M**

WIRING  
DIAGRAM

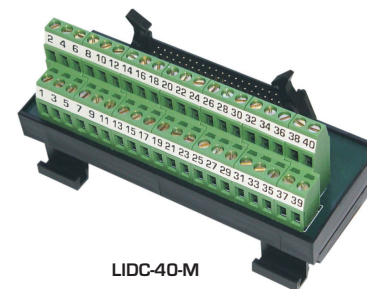
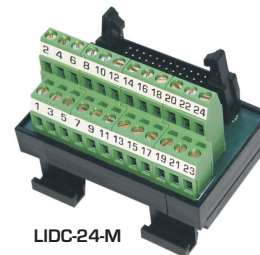
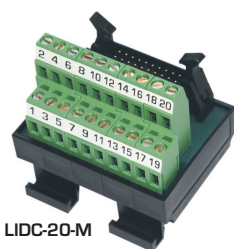
Ribbon-Cable Modules	
Part Number	LIDC-40-M
Description	40-pin male Ribbon-Cable to terminal blocks
Approvals	UL / CUL / CE
Voltage Ratings	120VAC
Maximum Current per Channel	2A
Number of Channels	40
Wire Range (Rated Cross Section)	12 - 20 AWG (0.2 - 2.5mm <sup>2</sup> )
Operating Temperature Range	-10°C to +50°C
Wire Strip Length	0.32" (8mm)
Terminal Block Contacts	Copper alloy, tin lead plating
Dimensions (L x W x H)	4.47"(113.5mm) x 1.85"(47mm) x 2.17"(55mm)



American Electrical, Inc.  
Suite 9-B Richmond, VA. 23236  
1-804-379-2899 OFC  
1-804-379-8935 FAX  
www.americanelectrical.com

## CONNECTOR MODULES

### 20, 24, 40 Pin Male Ribbon-Cable to Terminal Blocks



LIDC-20-M

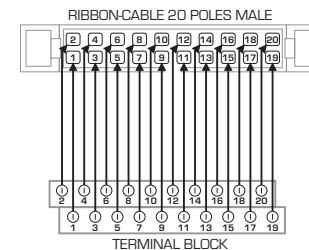
LIDC-24-M

LIDC-40-M

Type:  
**LIDC-20-M**

WIRING  
DIAGRAM

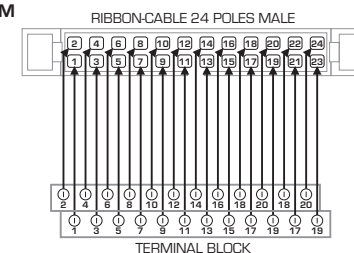
Ribbon-Cable Modules	
Part Number	LIDC-20-M
Description	20-pin male Ribbon-Cable to terminal blocks
Approvals	UL / CUL / CE
Voltage Ratings	120VAC
Maximum Current per Channel	2A
Number of Channels	20
Wire Range (Rated Cross Section)	12 - 20 AWG (0.2 - 2.5mm <sup>2</sup> )
Operating Temperature Range	-10°C to +50°C
Wire Strip Length	0.32" (8mm)
Terminal Block Contacts	Copper alloy, tin lead plating
Dimensions (L x W x H)	2.26"(57.5mm) x 1.85"(47mm) x 2.17"(55mm)



Type:  
**LIDC-24-M**

WIRING  
DIAGRAM

Ribbon-Cable Modules	
Part Number	LIDC-24-M
Description	24-pin male Ribbon-Cable to terminal blocks
Approvals	UL / CUL / CE
Voltage Ratings	120VAC
Maximum Current per Channel	2A
Number of Channels	24
Wire Range (Rated Cross Section)	12 - 20 AWG (0.2 - 2.5mm <sup>2</sup> )
Operating Temperature Range	-10°C to +50°C
Wire Strip Length	0.32" (8mm)
Terminal Block Contacts	Copper alloy, tin lead plating
Dimensions (L x W x H)	2.72"(69mm) x 1.85"(47mm) x 2.17"(55mm)



Type:  
**LIDC-40-M**

WIRING  
DIAGRAM

Ribbon-Cable Modules	
Part Number	LIDC-40-M
Description	40-pin male Ribbon-Cable to terminal blocks
Approvals	UL / CUL / CE
Voltage Ratings	120VAC
Maximum Current per Channel	2A
Number of Channels	40
Wire Range (Rated Cross Section)	12 - 20 AWG (0.2 - 2.5mm <sup>2</sup> )
Operating Temperature Range	-10°C to +50°C
Wire Strip Length	0.32" (8mm)
Terminal Block Contacts	Copper alloy, tin lead plating
Dimensions (L x W x H)	4.47"(113.5mm) x 1.85"(47mm) x 2.17"(55mm)

