

PART NUMBER

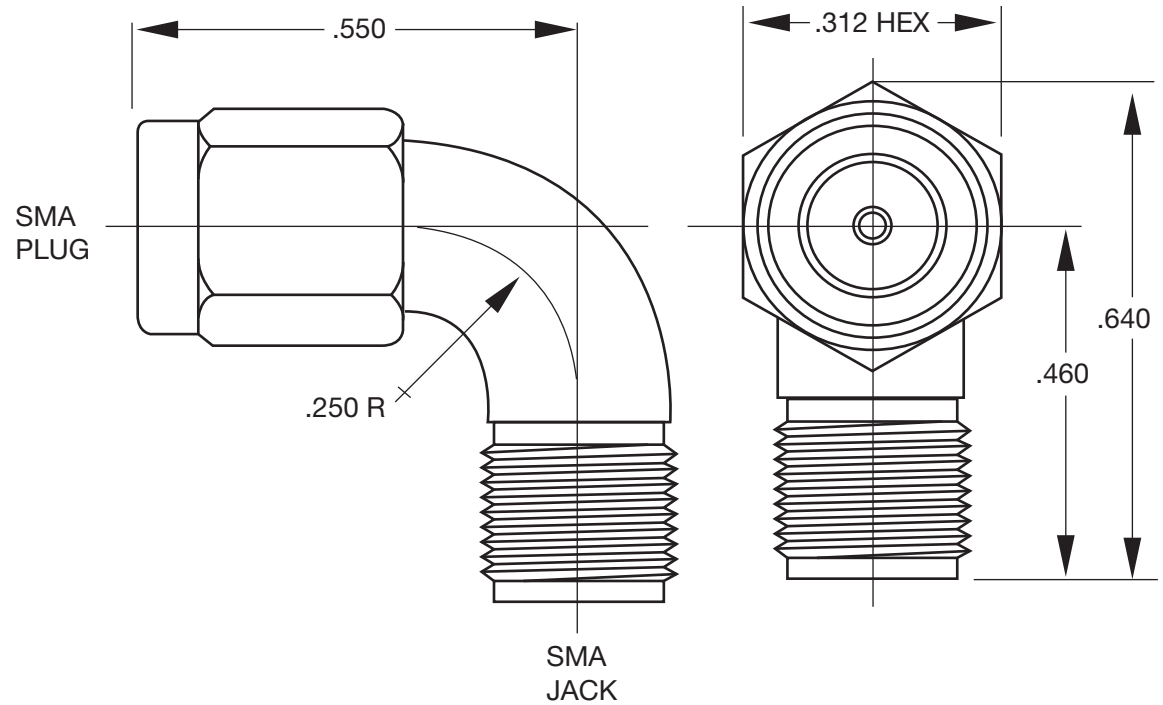
KAD177923

REV.

INITIAL

Electrical Data

Impedance 50 Ω
 Frequency Range DC - 26 GHz
 VSWR 1.3:1 @ 26 GHz

RoHS Compliant

Drawing not to scale. Dimensions for reference only

Konnect RF

WWW.KONNECTRF.COM
 1-800-790-5887

PART NUMBER

KAD177923

DESCRIPTION

Precision Adapter - In-Series - SMA Radius Right Angle Male Plug to Female Jack

CAGE CODE

664U0

SIGNATURE

X

Materials

Body / Nut
 Center Contact
 Insulator

Stainless Steel
 Be-Cu
 PTFE

Passivated
 Gold Plated

THIS DRAWING INCLUDING THE
 DESIGNS IS THE PROPERTY OF
 KONNECT RF AND IS NOT TO
 BE USED FOR ANY PURPOSE
 WITHOUT OUR APPROVAL.