



LAYOUT SHOWN AS EXAMPLE

Keying Shown as example

**CHARACTERISTICS**

- Standard : Based on MIL-DTL-38999 Series III
- Shell Material : Aluminium
- Shell Plating : Black Zinc Nickel
- Insulator : Thermoplastic
- Contacts : Copper Alloy
- Seals & Grommet : Silicon Elastomer
- Contact Plating : Gold over copper Alloy 0.8µm minimum
- Durability : 500 Mating cycles
- Delivered with Souriau contacts and Accessories
- Temperature Range : -65°C to +175°C
- Salt Spray : 500 hours
- Mass : 71.15 g ± 10%

| Connector dimension |                 |
|---------------------|-----------------|
| Dim                 | Nominal         |
| A                   | 58.7±0.3        |
| B                   | 42.85+0.1/-0.15 |
| R                   | 32.5Max         |
| S                   | 55.6±0.4        |
| W                   | 3+0.9/-0.1      |
| VV THREAD           | M37x1-6g        |

SOURIAU shall not be liable for any non-conformity or damage due to a use of the Products which does not comply with the Specifications issued by either of the Parties or by a third party (professional recommendation, technical notice.)

|         |                             |
|---------|-----------------------------|
| Country | Jurisdiction & Control List |
| FR      | Not Listed                  |

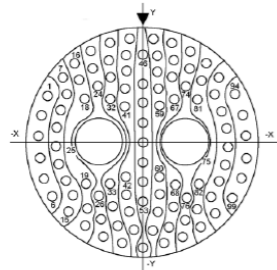
**PN: 8D725Z07AC**

|              |            |                          |                         |
|--------------|------------|--------------------------|-------------------------|
| A            | 05-10-2016 | First Release            |                         |
| ISS          | DATE       | Latest modification - by | MOD N°                  |
| Designed By: |            | Date:                    | <b>CUSTOMER DRAWING</b> |

|                |                        |   |   |    |   |    |   |   |                                 |
|----------------|------------------------|---|---|----|---|----|---|---|---------------------------------|
| BASIC SERIES:  | 8D                     | 7 | - | 25 | Z | 07 | A | C | ORIENTATION : C                 |
| SHELL TYPE :   | Jam nut Receptacle     |   |   |    |   |    |   |   | CONTACT TYPE : PIN(500 Matings) |
| CONTACT TYPE : | Standard Crimp Contact |   |   |    |   |    |   |   | CONTACT LAYOUT : 25-07          |
| SHELL SIZE :   | 25                     |   |   |    |   |    |   |   |                                 |
| PLATING :      | Z = Black Zinc Nickel  |   |   |    |   |    |   |   |                                 |

|                |                                |                                |   |
|----------------|--------------------------------|--------------------------------|---|
| <b>TITLE</b>   | Aluminium Receptacle 8D series |                                |   |
| SCALE          | NA                             | General linear Tolerances: ±-- | NPRDS / PROJECT<br><b>859</b>   |
| <b>SOURIAU</b> | <b>WWW.SOURIAU.COM</b>         |                                | This document is the property of SOURIAU it must not be reproduced or communicated without permission |
| FORMAT         | <b>A3</b>                      |                                | SOURIAU DRG N°<br><b>8D725Z07AC-C</b>   |
|                |                                |                                | SHEET<br>1/2  |

Contact Layout



(Inactive for new design for MIL-DTL-38999. For new design, use arrangement no. 25-9.)

| Contacts<br>(Insert arrangement 25-7) |              |             |                     |             |              |
|---------------------------------------|--------------|-------------|---------------------|-------------|--------------|
| Contact position ID                   | Location     |             | Contact position ID | Location    |              |
|                                       | X-axis (mm)  | Y-axis (mm) |                     | X-axis (mm) | Y-axis (mm)  |
| 1                                     | -494 (12.55) | +242 (6.15) | 51                  | +000 (0.00) | -106 (2.69)  |
| 2                                     | -533 (13.54) | +130 (3.51) | 52                  | -000 (0.00) | -212 (5.30)  |
| 3                                     | -550 (13.97) | +028 (0.71) | 53                  | +000 (0.00) | -310 (7.87)  |
| 4                                     | -544 (13.82) | -083 (2.11) | 54                  | +000 (0.00) | -551 (14.00) |
| 5                                     | -516 (13.11) | -191 (4.85) | 55                  | +056 (1.42) | +548 (13.92) |
| 6                                     | -467 (11.86) | -292 (7.42) | 56                  | +095 (2.41) | +461 (11.71) |
| 7                                     | -435 (11.05) | +337 (8.56) | 57                  | +068 (1.73) | +370 (9.40)  |
| 8                                     | -399 (10.13) | +249 (6.32) | 58                  | +092 (2.34) | +278 (7.06)  |
| 9                                     | -441 (11.20) | +163 (4.14) | 59                  | +095 (2.41) | +183 (4.65)  |
| 10                                    | -465 (11.81) | +071 (1.80) | 60                  | +089 (2.26) | -178 (4.52)  |
| 11                                    | -470 (11.94) | -024 (0.61) | 61                  | +094 (2.39) | -277 (7.04)  |
| 12                                    | -456 (11.58) | -118 (3.00) | 62                  | +069 (1.75) | -376 (9.55)  |
| 13                                    | -423 (10.74) | -207 (5.26) | 63                  | +048 (1.22) | -468 (11.89) |
| 14                                    | -372 (9.45)  | -288 (7.32) | 64                  | +165 (4.19) | +525 (13.34) |

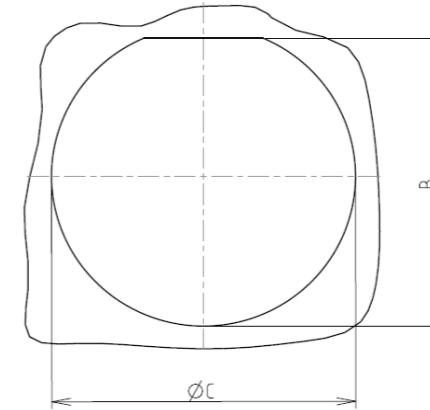
| Contacts<br>(Insert arrangement 25-7) |              |              |                     |              |              |
|---------------------------------------|--------------|--------------|---------------------|--------------|--------------|
| Contact position ID                   | Location     |              | Contact position ID | Location     |              |
|                                       | X-axis (mm)  | Y-axis (mm)  |                     | X-axis (mm)  | Y-axis (mm)  |
| 15                                    | -399 (10.13) | -379 (9.63)  | 65                  | +186 (4.72)  | +433 (11.00) |
| 16                                    | -359 (9.12)  | +418 (10.62) | 66                  | +164 (4.17)  | +340 (8.64)  |
| 17                                    | -341 (8.66)  | +324 (8.23)  | 67                  | +181 (4.60)  | +225 (5.72)  |
| 18                                    | -308 (7.82)  | +222 (5.64)  | 68                  | +172 (4.37)  | -223 (5.66)  |
| 19                                    | -303 (7.70)  | -223 (5.66)  | 69                  | +159 (4.04)  | -347 (8.81)  |
| 20                                    | -307 (7.80)  | -357 (9.07)  | 70                  | +141 (3.58)  | -449 (11.40) |
| 21                                    | -314 (7.98)  | -452 (11.48) | 71                  | +111 (2.82)  | -539 (13.69) |
| 22                                    | -267 (6.78)  | +481 (12.22) | 72                  | +267 (6.78)  | +481 (12.22) |
| 23                                    | -269 (6.83)  | +386 (9.80)  | 73                  | +269 (6.83)  | +386 (9.80)  |
| 24                                    | -247 (6.27)  | +294 (7.47)  | 74                  | +247 (6.27)  | +294 (7.47)  |
| 25                                    | -238 (6.05)  | +000 (0.00)  | 75                  | +238 (6.05)  | +000 (0.00)  |
| 26                                    | -237 (6.02)  | -292 (7.42)  | 76                  | +237 (6.02)  | -292 (7.42)  |
| 27                                    | -228 (5.79)  | -412 (10.46) | 77                  | +228 (5.79)  | -412 (10.46) |
| 28                                    | -217 (5.51)  | -506 (12.85) | 78                  | +217 (5.51)  | -506 (12.85) |
| 29                                    | -165 (4.19)  | +525 (13.34) | 79                  | +359 (9.12)  | +418 (10.62) |
| 30                                    | -186 (4.72)  | +433 (11.00) | 80                  | +341 (8.66)  | +324 (8.23)  |
| 31                                    | -164 (4.17)  | +340 (8.64)  | 81                  | +308 (7.82)  | +222 (5.64)  |
| 32                                    | -181 (4.60)  | +225 (5.72)  | 82                  | +303 (7.70)  | -223 (5.66)  |
| 33                                    | -172 (4.37)  | -223 (5.66)  | 83                  | +307 (7.80)  | -357 (9.07)  |
| 34                                    | -159 (4.04)  | -347 (8.81)  | 84                  | +314 (7.98)  | -452 (11.48) |
| 35                                    | -141 (3.58)  | -449 (11.40) | 85                  | +435 (11.05) | +337 (8.56)  |
| 36                                    | -111 (2.82)  | -539 (13.69) | 86                  | +399 (10.13) | +249 (6.32)  |
| 37                                    | -056 (1.42)  | +548 (13.92) | 87                  | +441 (11.20) | +163 (4.14)  |
| 38                                    | -095 (2.41)  | +461 (11.71) | 88                  | +465 (11.81) | +071 (1.80)  |
| 39                                    | -068 (1.73)  | +370 (9.40)  | 89                  | +470 (11.94) | -024 (0.61)  |
| 40                                    | -092 (2.34)  | +278 (7.06)  | 90                  | +456 (11.58) | -118 (3.00)  |
| 41                                    | -095 (2.41)  | +183 (4.65)  | 91                  | +423 (10.74) | -207 (5.26)  |
| 42                                    | -089 (2.26)  | -178 (4.52)  | 92                  | +372 (9.45)  | -288 (7.32)  |

| Contacts<br>(Insert arrangement 25-7) |             |              |                     |              |             |
|---------------------------------------|-------------|--------------|---------------------|--------------|-------------|
| Contact position ID                   | Location    |              | Contact position ID | Location     |             |
|                                       | X-axis (mm) | Y-axis (mm)  |                     | X-axis (mm)  | Y-axis (mm) |
| 43                                    | -094 (2.39) | -277 (7.04)  | 93                  | +399 (10.13) | -379 (9.63) |
| 44                                    | -069 (1.75) | -376 (9.55)  | 94                  | +494 (12.55) | +242 (6.15) |
| 45                                    | -048 (1.22) | -468 (11.89) | 95                  | +533 (13.54) | +138 (3.51) |
| 46                                    | +000 (0.00) | +471 (11.96) | 96                  | +550 (13.97) | +028 (0.71) |
| 47                                    | +000 (0.00) | +303 (7.70)  | 97                  | +544 (13.82) | -083 (2.11) |
| 48                                    | +000 (0.00) | +208 (5.28)  | 98                  | +516 (13.11) | -191 (4.85) |
| 49                                    | +000 (0.00) | +104 (2.64)  | 99                  | +467 (11.86) | -292 (7.42) |
| 50                                    | +000 (0.00) | +000 (0.00)  | ---                 | ---          | ---         |

| Shell size | Arrangement no. | Number of contacts | Size contacts   | Service rating | Contact location | Standard contact |               |
|------------|-----------------|--------------------|-----------------|----------------|------------------|------------------|---------------|
|            |                 |                    |                 |                |                  | Pin              | Socket        |
| 25         | -7              | 2                  | 8<br>(See note) | Twinax         | 25, 75           | M39029/90-529    | M39029/91-530 |
|            |                 |                    |                 |                |                  | M39029/58-360    | M39029/56-348 |
|            |                 | 97                 | 22D             | M              | All others       |                  |               |

Panel cutout

JAM NUT RECEPTACLE (TYPE 7)



| Dim | Nominal       |
|-----|---------------|
| B   | 43.43+0/-0.25 |
| ØC  | 44.7+0.25/-0  |

SOURIAU shall not be liable for any non-conformity or damage due to a use of the Products which does not comply with the Specifications issued by either of the Parties or by a third party (professional recommendation, technical notice.)

| Country | Jurisdiction & Control List |
|---------|-----------------------------|
| FR      | Not Listed                  |

PN: 8D725Z07AC

|              |            |                                |                     |
|--------------|------------|--------------------------------|---------------------|
| A            | 05-10-2016 | First Release                  |                     |
| ISS          | DATE       | Latest modification - by       | MOD N°              |
| Designed By: |            | Date:                          | CUSTOMER DRAWING    |
| TITLE        |            | Aluminium Receptacle 8D series |                     |
| SCALE        | NA         | General linear Tolerances: ±-- | NPRDS / PROJECT 859 |
| SOURIAU      |            | WWW.SOURIAU.COM                |                     |
| FORMAT       |            | SOURIAU DRG N° 8D725Z07AC-C    |                     |
|              |            | SHEET 2/2                      |                     |

This document is the property of SOURIAU it must not be reproduced or communicated without permission