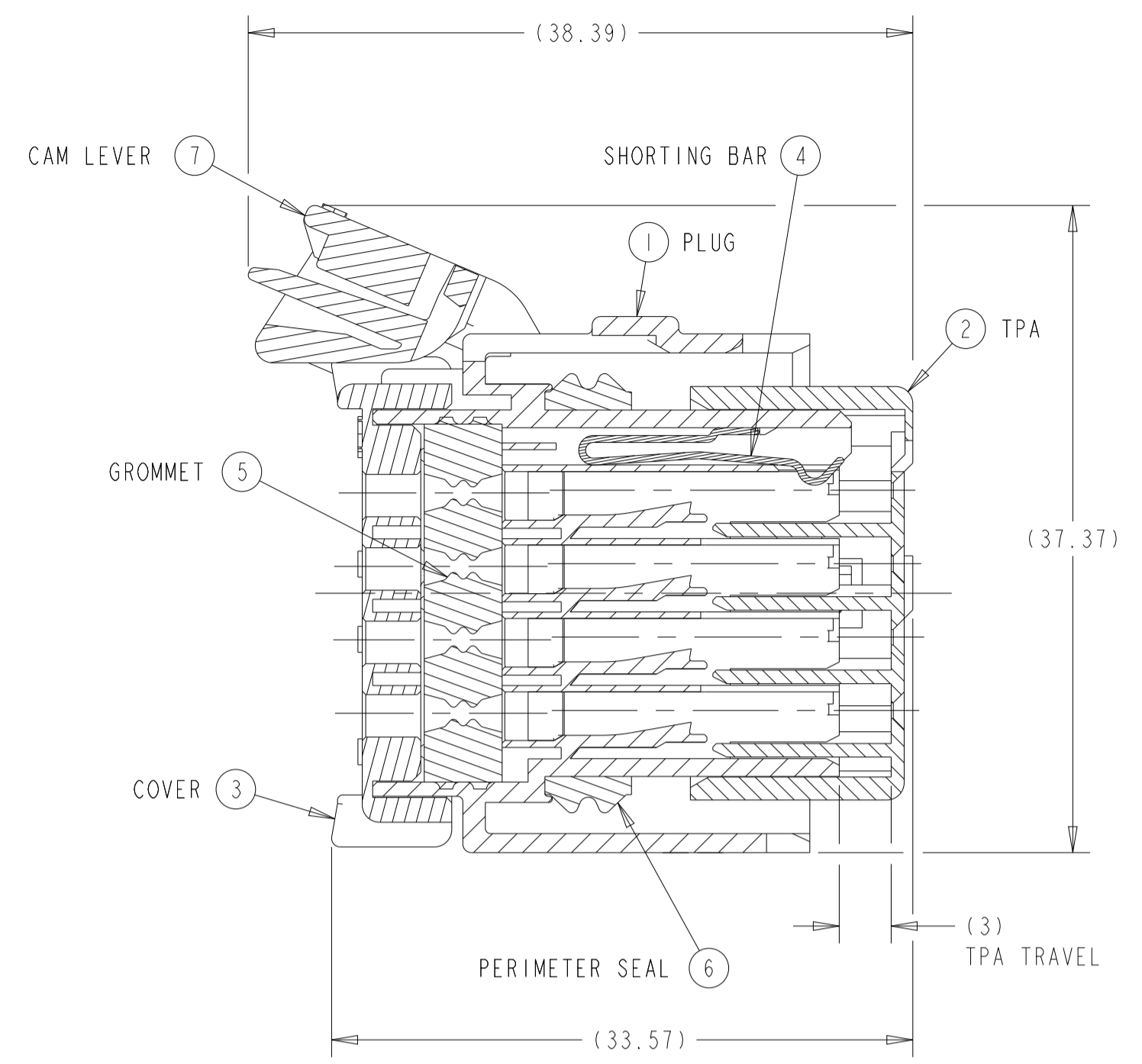
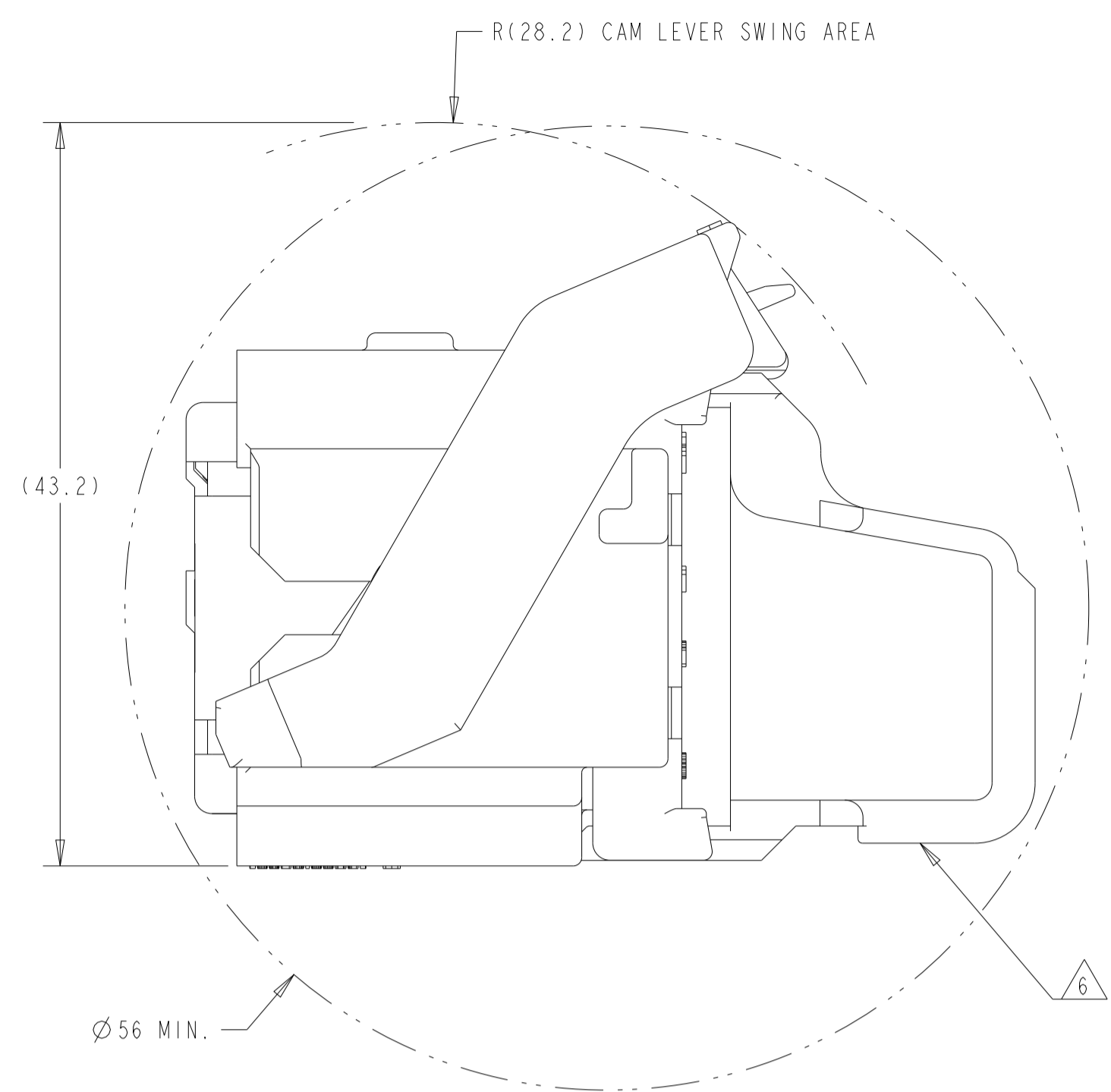
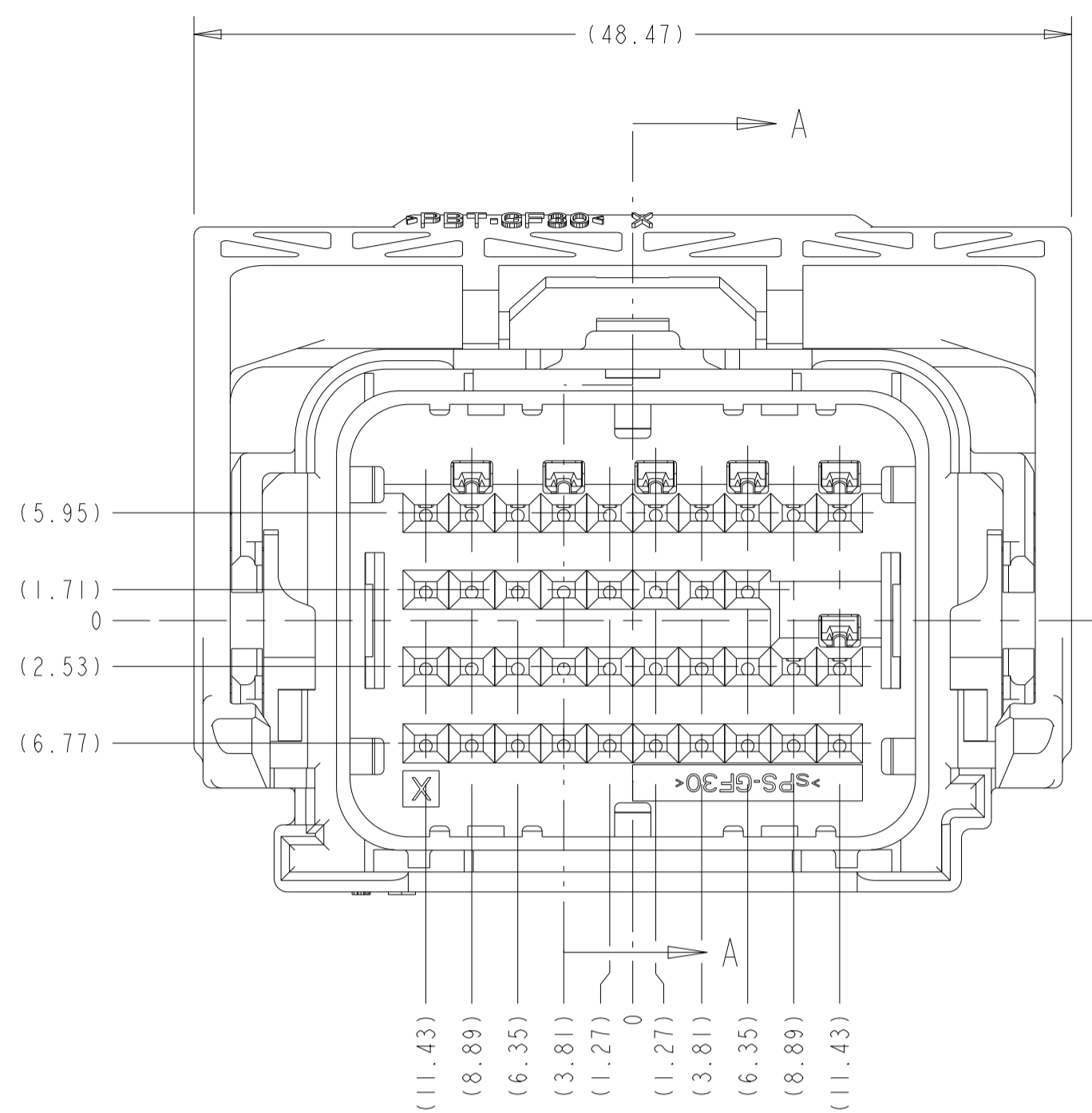


REVISIONS					
P	LTN	DESCRIPTION	DATE	DWN	APVD
BT		REV PER ECO 08-017679	21JUL2008	RGV	WTW
BT1		REVISED PER ECO-20-012739	05OCT2020	AP	DR
BT2		REVISED PER ECN-22-154515	23JUN2022	AP	MT
BT3		REV PER ECN-22-168671	18AUG2022	SMR	WW

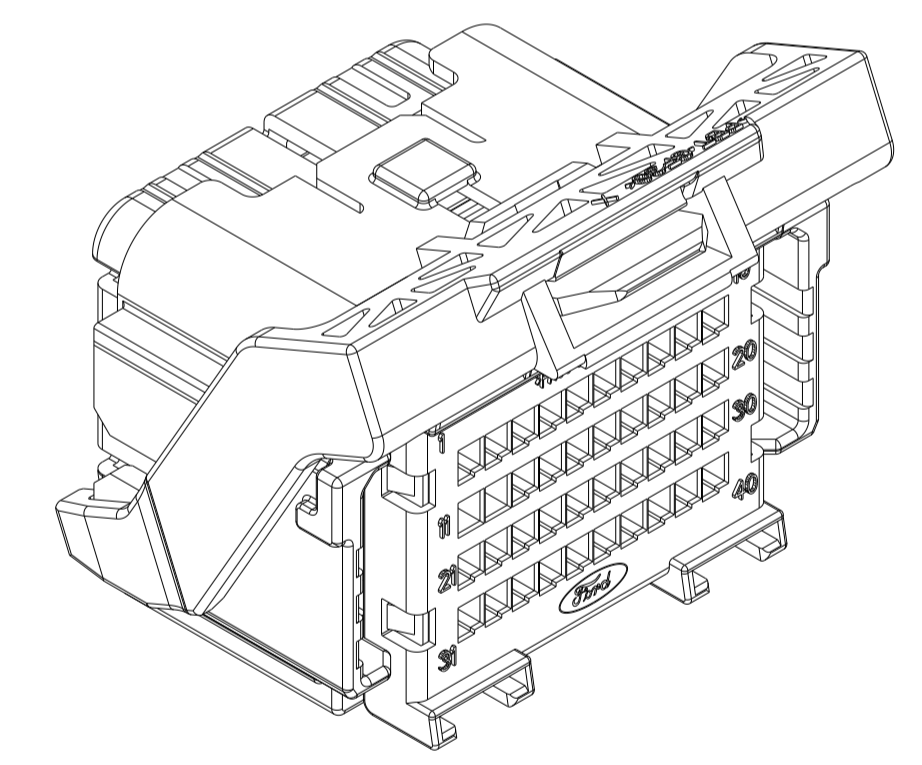
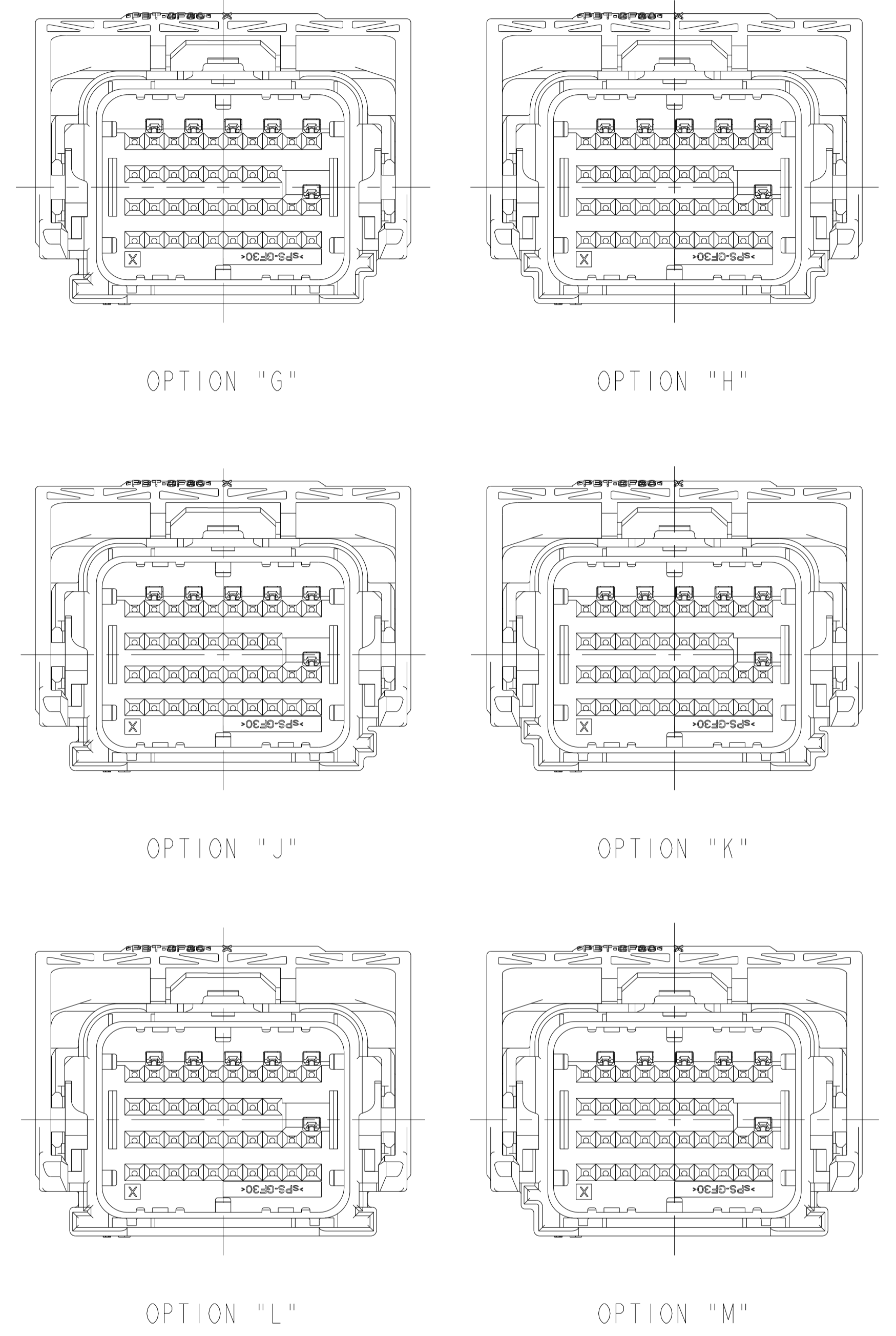


SECTION A-A  
SHOWN WITH CAM LEVER  
AND TPA IN THEIR  
PRE-LOADED POSITIONS  
(DELIVERY CONDITION)

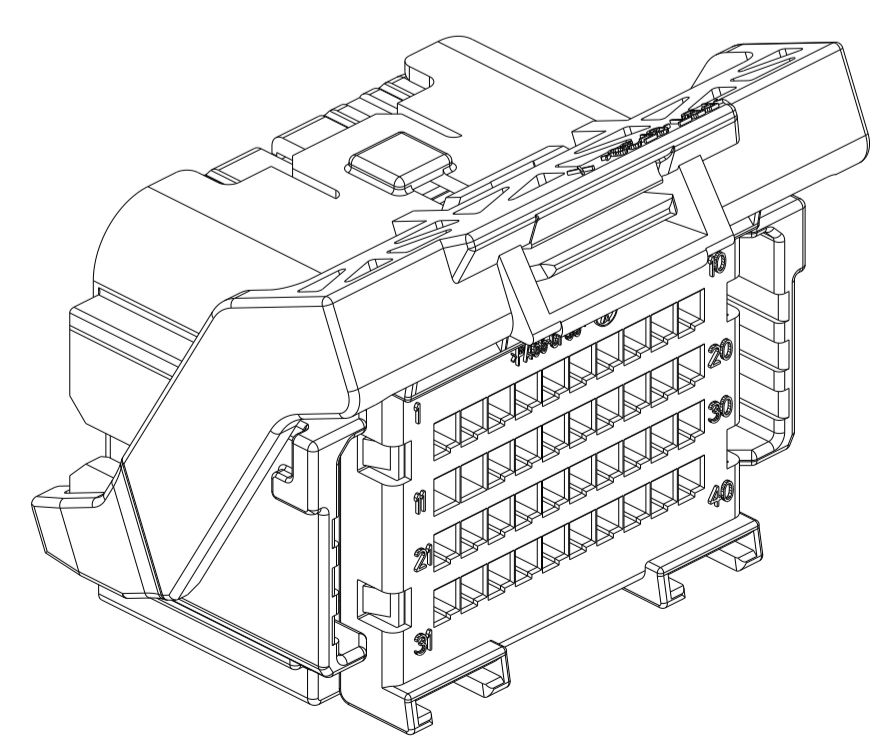


MINIMUM FEED THROUGH CONDITION  
WITH 1mm CLEARANCE ALL AROUND  
SHOWN WITH OPTION WIRESHIELD  
TPA IS IN IT'S LOADED POSITION  
CAM LEVER IS IN IT'S PRE-LOADED POSITION

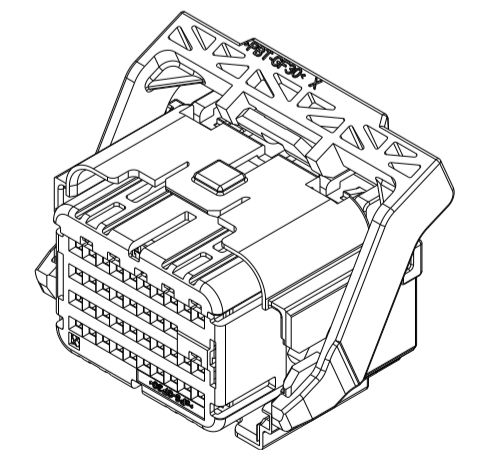
KEYING OPTIONS  
SCALE 2:1



SCALE 2:1

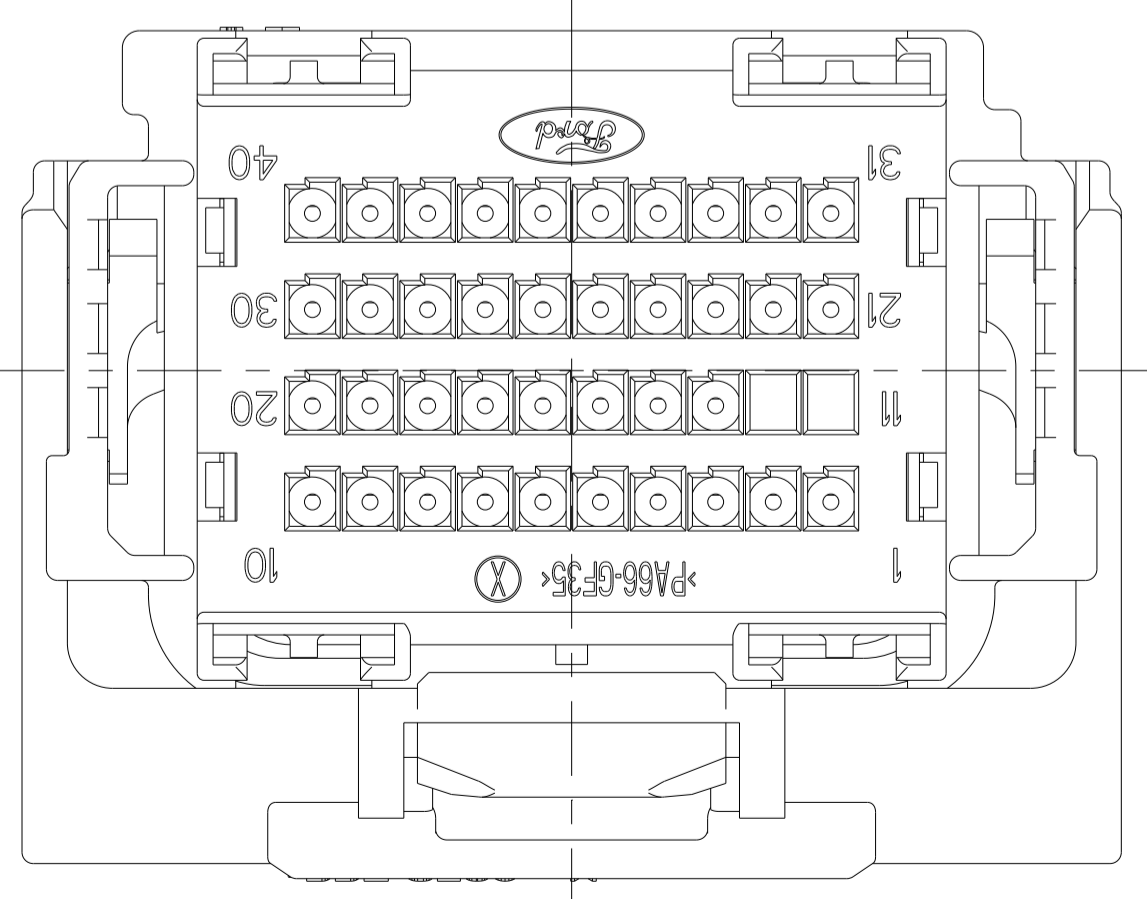
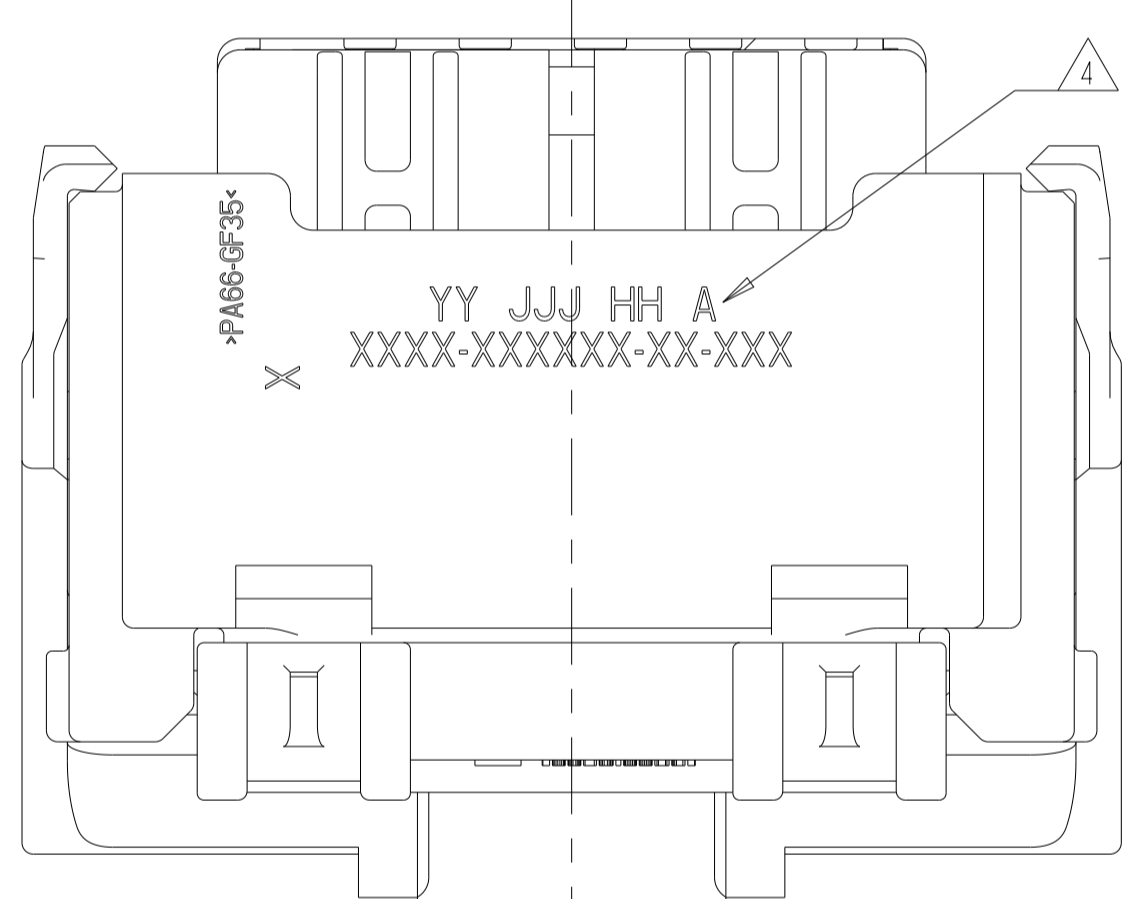
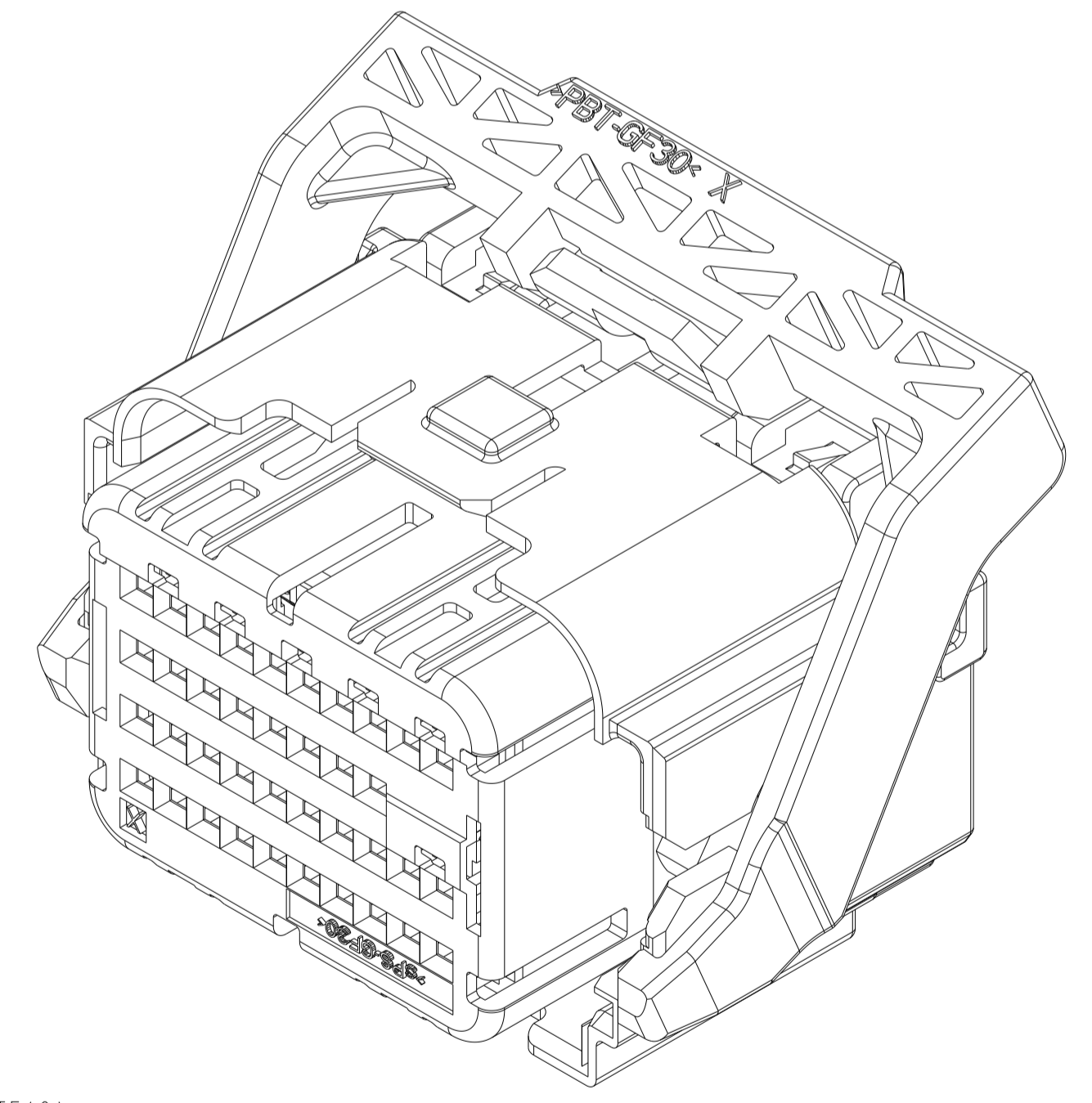


THIS VIEW SHOWS THE  
MODIFIED CAM LEVER  
SCALE 2:1



SCALE 1:1

KEYING OPTION "G" SHOWN  
SEE SHEET 2 FOR BILL OF MATERIALS  
AND SHEET 3 FOR PIN-OUT CHARTS



- NOTE(S):
- APPLICABLE TERMINAL PART NUMBERS (SOLD SEPARATELY):  
FOR TIN APPLICATIONS: 1393367 AND 1393366.  
FOR GOLD APPLICATIONS: 1393365 AND 1393364.  
FOR TERMINATION AND REELING OPTIONS  
SEE DRAWINGS 1393367, 1393366, 1393365, AND 1393364.
  - COMPATIBLE WIRE SIZES FOR MAT SEAL DESIGN 1.19 TO 2.06 O.D.  
(22-18 AWG, 0.35-0.75 mm<sup>2</sup>)
  - TPA AND CAM LEVER ARE SHIPPED IN THEIR PRE-LOADED POSITION.  
ALL ASSEMBLIES ARE TO BE TRAY PACKAGED.
  - CUSTOMER PART NUMBER AND TRACEABILITY CODE (YY = TWO DIGIT YEAR,  
JJJ = JULIAN DAY, HH = TWO DIGIT MILITARY HOUR, A=ASSEMBLY PROCESS  
USED) ARE PRINTED IN THIS LOCATION.
  - PART ASSEMBLY WEIGHT WITHOUT TERMINALS AND WITH STANDARD PIN-OUT  
CONFIGURATION IS 26.09 GRAMS.
  - OPTIONAL WIRESHIELD P/N 8-1419157-8 (SOLD SEPARATELY). PLEASE CONTACT  
YOUR TYCO ELECTRONICS SALES REPRESENTATIVE FOR AVAILABILITY AND PRICING.
  - OBSELETE PART.

THIS DRAWING IS A CONTROLLED DOCUMENT.		DWN M. FORLSKA 20APR2002		NAME 40 WAY ARM PLUG ASSEMBLY WITH SHORTING BARS CUSTOMER SPEC.
DIMENSIONS:		CHK M. FORLSKA 20APR2002		
mm	0 PLC ± 1 PLC ±0.3 2 PLC ±0.10 3 PLC ± 4 PLC ± ANGLES ±3°	APVD A. VALASEK 20APR2002	PRODUCT SPEC	SIZE CAGE CODE DRAWING NO RESTRICTED TO
MATERIAL	SEE CHART ON SHEET 2	WEIGHT SEE NOTE 5	APPLICATION SPEC	A 00779 C=7-1419157-9
		CUSTOMER DRAWING	SCALE 3:1	SHEET 1 OF 3 REV BT3



