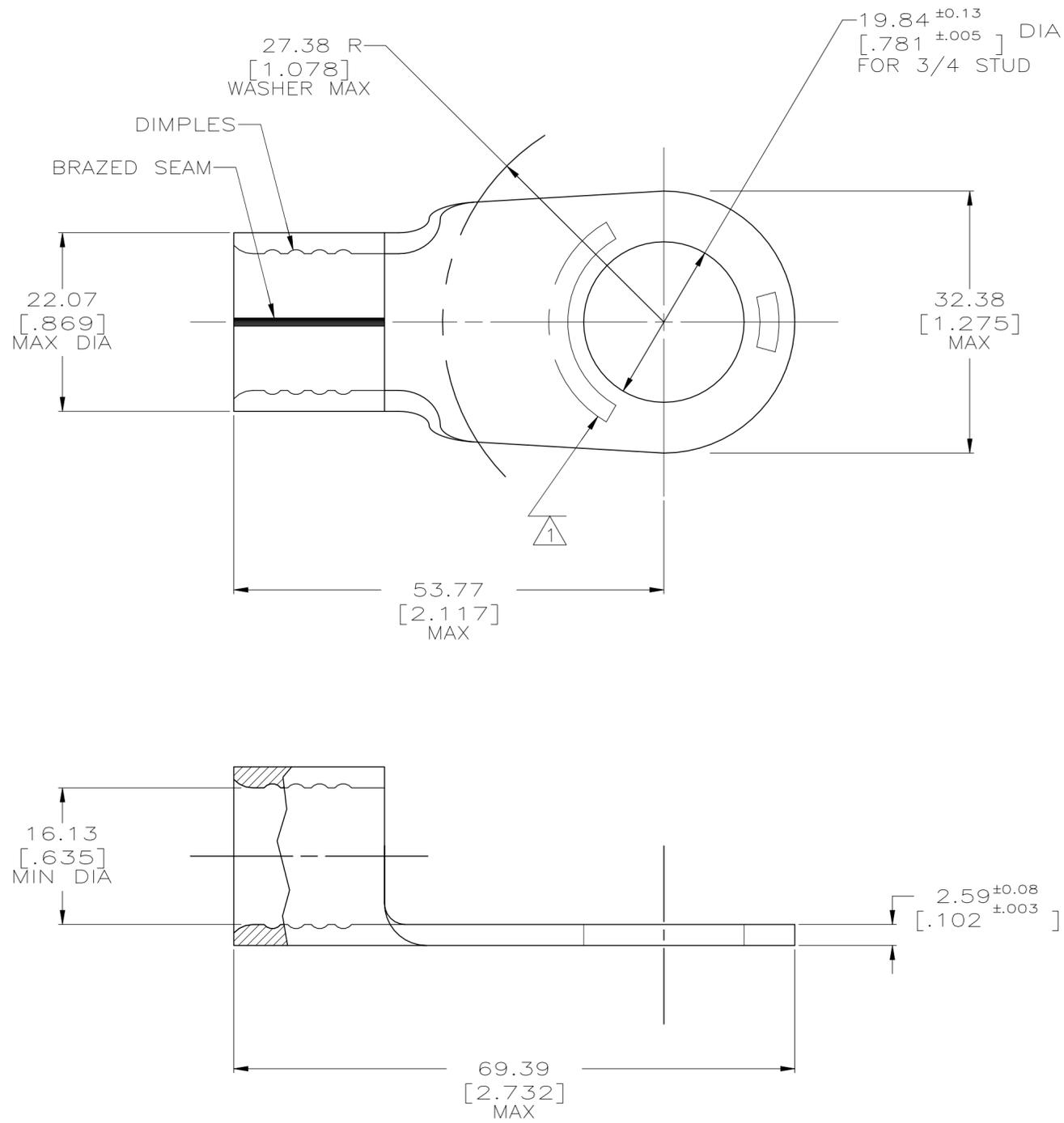


REVISIONS				
P	LTR	DESCRIPTION	DATE	APVD
D2		REV PER ECN-22-150900	27APR2022	RK CSD



<b>AMP</b> WIRE RANGE	E13288 Listed
4/0 AWG SOLID OR STRANDED	4/0 AWG STRANDED
LR7189 Certified	
4/0 AWG SOLID OR STRANDED	

- 1 STAMP AMP 4/0W\* 200 APPROX AS SHOWN
- 2 COPPER PER ASTM B-152, ANNEALED
- 3 TIN PLATE 0.00254 [.000100] MIN PER ASTM B-545
- 4 MAX RECOMMENDED OPERATING TEMP 170°C
- 5 WIRE CROSS SECTIONAL AREA RANGE:  
96.3-117.0mm<sup>2</sup> [ 190,000-231,000 ] CIR MILS  
STRANDED OR SOLID

322228  
PART NO.

THIS DRAWING IS A CONTROLLED DOCUMENT.		DWN DK_SCHRUM 10/5/93	TE Connectivity	
DIMENSIONS: MM [INCHES]		CHK AJ KAUFMAN 10/6/93		
TOLERANCES UNLESS OTHERWISE SPECIFIED:		APVD JL MECKLEY 10/6/93	NAME	
0 PLC ± -	1 PLC ± -	PRODUCT SPEC	TERMINAL, RING TONGUE, SOLISTRAND	
2 PLC ± 0.20[.008]	3 PLC ± -	APPLICATION SPEC	SIZE A2	CAGE CODE 00779
4 PLC ± -	ANGLES ± -	WEIGHT -	DRAWING NO C=322228	RESTRICTED TO -
MATERIAL - 2	FINISH - 3	CUSTOMER DRAWING	SCALE 2:1	SHEET 1 of 1
			REV D2	