

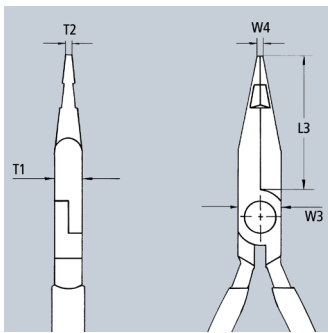
Snipe Nose Pliers with Center Cutter

Telephone Pliers

DIN ISO 5743

27

- > grips and separates single wires in harnesses
- > center cutter for soft wire
- > half-round jaws
- > serrated gripping surfaces
- > chrome vanadium electric steel; forged, oil-hardened



27 01 160



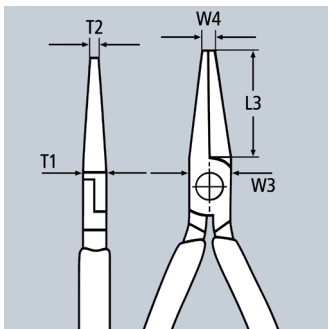
Product Number	Packaging	↔ Inch mm	Head	Handles	Dimensions					⚖ lbs	
					L3 Inch mm	W3 Inch mm	T1 Inch mm	W4 Inch mm	T2 Inch mm		
27 01 160		6 1/4 160	⊖	polished	plastic coated	1 27/32 47.0	21/32 16.5	3/8 9.5	1/8 3.0	5/64 2.0	0.27

Long Reach Needle Nose Pliers

DIN ISO 5743

28

- > suitable for gripping and assembly work
- > serrated gripping surfaces
- > high-grade special tool steel; forged, oil-hardened



28 01 200



28 21 200



Product Number	Packaging	↔ Inch mm	Pliers	Head	Handles	Dimensions					⚖ lbs	
						L3 Inch mm	W3 Inch mm	T1 Inch mm	W4 Inch mm	T2 Inch mm		
28 01 200		8 200	⊖	black atramentized	polished	plastic coated	1 19/64 33.0	17/32 13.5	13/32 10.5	5/32 4.0	13/32 10.5	0.43
28 21 200		8 200	⊖	black atramentized	polished	plastic coated	1 11/32 34.0	17/32 13.5	13/32 10.5	1/8 3.0	1/8 3.0	0.41