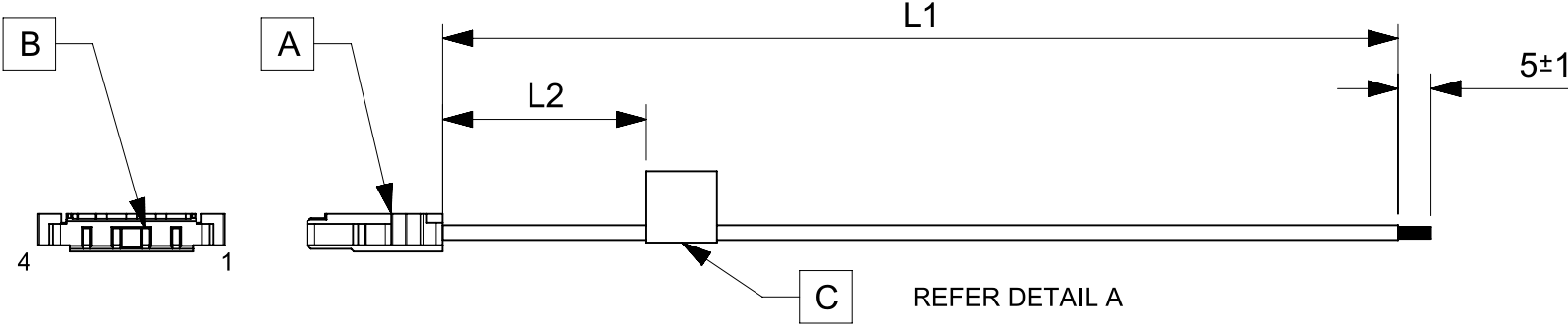


ITEM	PART#	DESCRIPTION	QTY	UOM
A	2053410204	PICO-LOCK 2.0 W/B REC HSG 4P	1	PC
B	2053425028	PICO-LOCK 2.0 W/B REC TERM PL AWG#20-22	4	PC
C	--	PAPER PRINTED PAPER WHITE	1	PC

FROM	TO	DESCRIPTION	COLOR
A1	--	1X20AWG DISC SR-PVC BK UL10002	BLACK
A2	--	1X20AWG DISC SR-PVC BK UL10002	BLACK
A3	--	1X20AWG DISC SR-PVC BK UL10002	BLACK
A4	--	1X20AWG DISC SR-PVC BK UL10002	BLACK



REFER DETAIL A

TABLE			
PART NUMBER	L1	L2 (REF)	TITLE
2196572040	50±3	15	Pico-Lock 2.0 R-S 4ckt 50mm disc Au
2196572041	100±3	15	Pico-Lock 2.0 R-S 4ckt 100mm disc Au
2196572042	150±4	15	Pico-Lock 2.0 R-S 4ckt 150mm disc Au
2196572043	300±4	15	Pico-Lock 2.0 R-S 4ckt 300mm disc Au
2196572044	600±6	15	Pico-Lock 2.0 R-S 4ckt 600mm disc Au

NOTES

1. Connector view shown is from mating side.
2. Label text must be 2mm max. in height with Arial font.
3. Label must be wrapped in Flag type on a single cable.
4. Free ends must be stripped, twisted & tinned. The length of tinning is 5±1mm. Tinning Dia must be 1.25mm Max.

MOLEX P/N
MOLEX
BATCH WK/YR
DETAIL A

REVISION			
DATE	REV	DESCRIPTION	CHANGER
2021/12/27	A	INITIAL RELEASE	SAIKIG

FUNCTIONAL SYMBOLS $\nabla_A = 0$ $\nabla_E = 0$ $\nabla_P = 0$ DIVISIONAL SYMBOLS	THIS DRAWING CONTAINS INFORMATION THAT IS PROPRIETARY TO MOLEX ELECTRONIC TECHNOLOGIES, LLC AND SHOULD NOT BE USED WITHOUT WRITTEN PERMISSION		CURRENT REV DESC:				
	DIMENSION UNITS	SCALE	GENERAL TOLERANCES (UNLESS SPECIFIED)				
	mm	NTS	ANGULAR TOL ± °				
	4 PLACES ±		3 PLACES ±				
3 PLACES ±		2 PLACES ±		EC NO: 690897	PRODUCT CUSTOMER DRAWING DOCUMENT NUMBER: 2196572040 DOC TYPE: PSD DOC PART: 000 REVISION: A		
2 PLACES ±		1 PLACE ±		DRWN: SAIKIG 2021/12/27			
1 PLACE ±		0 PLACES ±		CHK'D: MNARAYAN01 2022/01/13			
0 PLACES ±		INITIAL REVISION:		APPR: MNARAYAN01 2022/01/13			
DRAFT WHERE APPLICABLE MUST REMAIN WITHIN DIMENSIONS		THIRD ANGLE PROJECTION	DRAWING	SERIES	MATERIAL NUMBER	CUSTOMER	SHEET NUMBER
			A4-SIZE	219657	SEE TABLE	GENERAL MARKET	1 OF 1