

Data interface - SI-SES-R1A - 1404513

Please be informed that the data shown in this PDF Document is generated from our Online Catalog. Please find the complete data in the user's documentation. Our General Terms of Use for Downloads are valid (<http://phoenixcontact.com/download>)

Service socket with RJ45 (socket/socket), 8-pos. metal, CAT5e connection



Key Commercial Data

Packing unit	1 pc
GTIN	
GTIN	4046356698535

Technical data

Mechanical characteristics

Number of positions	8
Connection profile	RJ45
Shielded	yes
Insertion/withdrawal cycles	> 100
Insulation resistance	> 500 MΩ

Ambient conditions

Ambient temperature (operation)	-25 °C ... 70 °C
Ambient temperature (storage/transport)	-25 °C ... 85 °C
Degree of protection	IP65 (with closed protective cover)
	IP20 (when plugged in)

Material data

Flammability rating according to UL 94	V0
Housing material	PA
Contact material	CuSn

Electrical characteristics

Number of positions	8
---------------------	---

Data interface - SI-SES-R1A - 1404513

Technical data

Electrical characteristics

Nominal current I_N	1.5 A
GRP transmission properties	CAT5e
Transmission speed	100 Mbps
Degree of pollution	3

Standards and Regulations

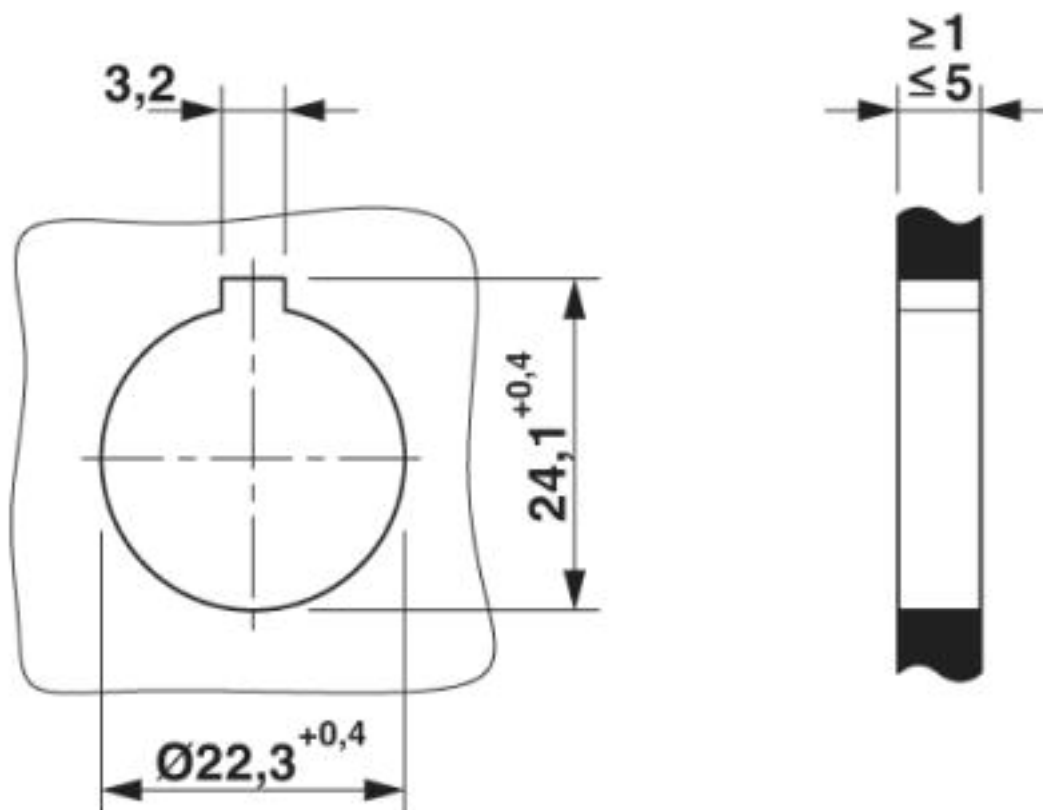
Flammability rating according to UL 94	V0
--	----

Environmental Product Compliance

REACH SVHC	Lead 7439-92-1
China RoHS	Environmentally Friendly Use Period = 50
	For details about hazardous substances go to tab "Downloads", Category "Manufacturer's declaration"

Drawings

Dimensional drawing



Mounting cutout

Data interface - SI-SES-R1A - 1404513

Approvals


Approvals


Approvals

EAC / EAC

Ex Approvals

Approval details

EAC		EAC-Zulassung
-----	---	---------------

EAC		RU C- DE.A*30.B.01102
-----	--	--------------------------

Phoenix Contact 2019 © - all rights reserved
<http://www.phoenixcontact.com>

PHOENIX CONTACT GmbH & Co. KG
Flachsmarktstr. 8
32825 Blomberg
Germany
Tel. +49 5235 300
Fax +49 5235 3 41200
<http://www.phoenixcontact.com>