

MATERIAL NUMBER

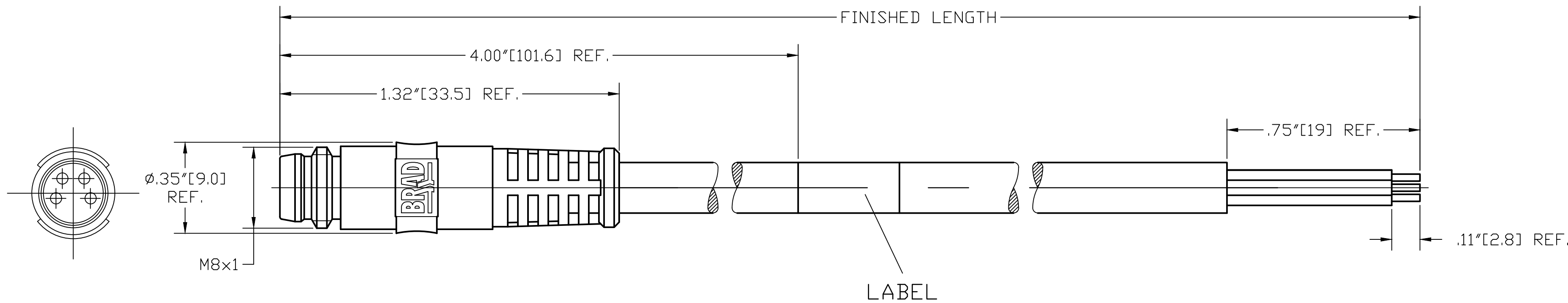
OLD PART NUMBER

FINISHED LENGTH

120088-0014

504006B09M020

6.56' +3.50" -0 [2.0M +88.9mm -0]



504006B09M020

Wire type
4x .25mm²
Yellow PUR

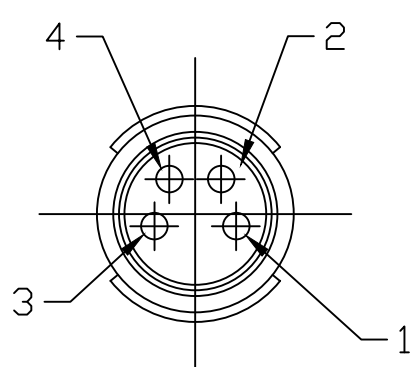
cable length
M020----2 Meter
M100----10 Meter

CONTACT:	GOLD/NICKEL OVER COPPER ALLOY
INSERT:	PUR, BLACK
MOLDED BODY:	RITFLEX, YELLOW
VOLTAGE RATING:	60 VAC/75 VDC
AMPERAGE RATING:	3 AMPS
PROTECTION:	IP67
OPERATING TEMPERATURE:	-20°C TO 80°C

1	BROWN
2	WHITE
3	BLUE
4	BLACK

WIRING DIAGRAM

MALE INSERT FRONT VIEW



1-BROWN
2-WHITE
3-BLUE
4-BLACK

INITIAL RELEASE EC NO: IPG2014-0063 DRWN: EBRACKEN 2013/06/28 CH'KD: RSTONE APPR: BWOODMAN2013/08/16	QUALITY SYMBOL	GENERAL TOLERANCES (UNLESS SPECIFIED)		DIMENSION STYLE IN/MM		SCALE ---	DESIGN UNITS INCH	THIRD ANGLE PROJECTION	
	▽=0 ∇=0	mm	INCH	DRAWN BY EBRACKEN	DATE 2013/06/18	TITLE NANO-CHANGE ASSEMBLY 4 POLE M/MP #24 PUR YELLOW			
		4 PLACES ±---	±---	CHECKED BY RSTONE	DATE ---	MOLEX INCORPORATED			
		3 PLACES ±0.13	±0.10	APPROVED BY BWOODMAN	DATE 2013/08/16	MATERIAL NO. SEE CHART		DOCUMENT NO. SD-120088-036	SHEET NO. 1 OF 1
		2 PLACES ±0.25	±0.20	ANGULAR ±.5°		THIS DRAWING CONTAINS INFORMATION THAT IS PROPRIETARY TO MOLEX INCORPORATED AND SHOULD NOT BE USED WITHOUT WRITTEN PERMISSION			
		1 PLACE		DRAFT WHERE APPLICABLE MUST REMAIN WITHIN DIMENSIONS					