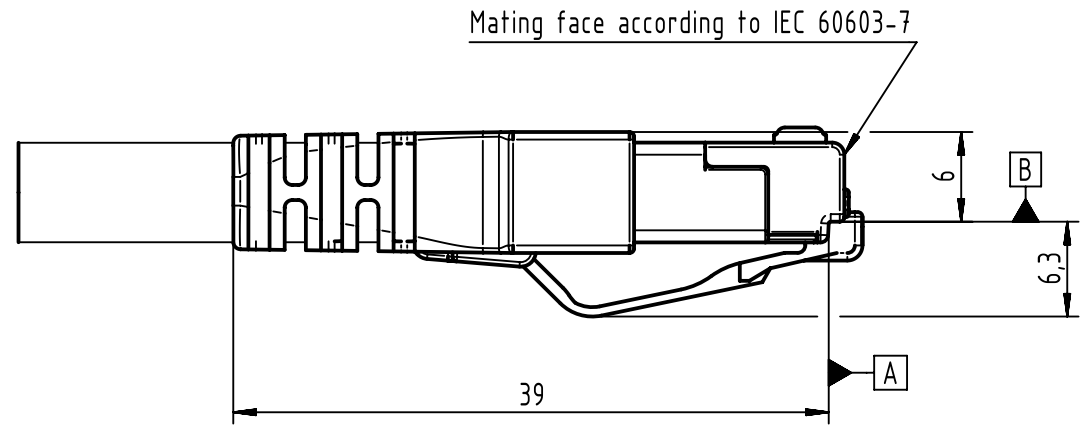
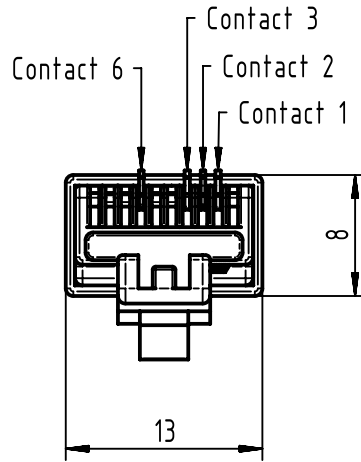


A

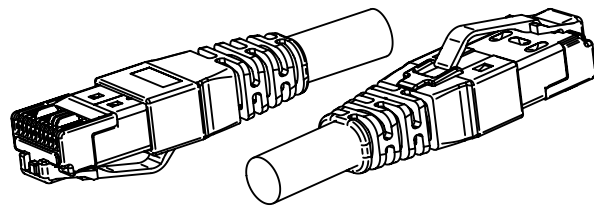
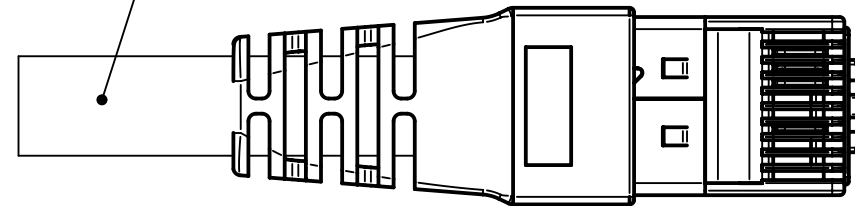
B

C


D



Cable Ø4,5mm - Ø7,5mm



- For stranded wires AWG22
- Max wire diameter 1,6mm
- Cat.5 performance class D suitable for 10/100 Mgbt Ethernet
- Temperature range -40°C up to +70°C
- Turquoise green cable boot
- 750 mating cycles

	All rights reserved Department EL PD	All Dimensions in mm Original Size DIN A4		Scale 2:1	Free size tol.	Ref. Sub.	
		Created by CELMARE	Inspected by PRIESTER	Standardisation HOFFMANN	Date 2019-08-23	State Final Release	
HARTING Electronics GmbH D-32339 Espelkamp		Title RJ45 PN Compact plug Cat.5, 4p 100pc				Doc-Key / ECM-Nr. 100545127/UGD/001/B 500000157150	
		Type TB	Number 09451511130			Rev. B	Page 1/1