

MATERIAL NO.	TAIL PLATING
761040001	MATTE TIN / LEAD
761045001	MATTE TIN

NOTES:

1. MATERIAL:

CAGE: NICKEL SILVER, THICKNESS: 0.25mm
 CONNECTOR HOUSING: GLASS FILLED LIQUID CRYSTAL POLYMER (LCP), UL 94V-0, COLOR: BLACK
 OVERMOLD TERMINAL HOUSING: GLASS FILLED LIQUID CRYSTAL POLYMER (LCP), UL 94V-0, COLOR: BLACK
 TERMINALS: TIN BRASS
 EMI GASKET: CONDUCTIVE ELASTOMER

2. FINISHES:

TERMINALS: CONTACT AREA: 0.76 MICROMETERS MINIMUM HARD GOLD OVER 1.27 MICROMETERS MINIMUM NICKEL.
 COMPLIANT TAIL - MATTE TIN/LEAD OPTION: 0.76 TO 1.52 MICROMETERS 90/10 MATTE TIN-LEAD OVER 0.76 MICROMETERS MINIMUM NICKEL.
 COMPLIANT TAIL - MATTE TIN OPTION: 0.76 TO 1.52 MICROMETERS MATTE TIN OVER 0.76 MICROMETERS MINIMUM NICKEL.

3. REFER TO PS-75310-001 PRODUCT SPEC FOR ALL ELECTRICAL, MECHANICAL AND ENVIRONMENTAL SPECIFICATIONS.

4. REFER TO PK-75451-001 FOR ALL PACKAGING SPECIFICATIONS.

5. ALL EXTERIOR SURFACES TO BE CLASS 'B' SURFACE EXCEPT THE UNDER SIDE OF THE CAGE WHERE THE PCB WOULD BE LOCATED AND AS NOTED. THE SURFACES TO CONFORM TO THE MOLEX COSMETIC DOC PS-45499-002.

6. REFER TO AS-76090-001 FOR HIGH SPEED ROUTING RECOMMENDATIONS.

7. DATE CODE LOCATION IS SHOWN ABOVE.

DATE CODE FORMAT: DDDY MX A1

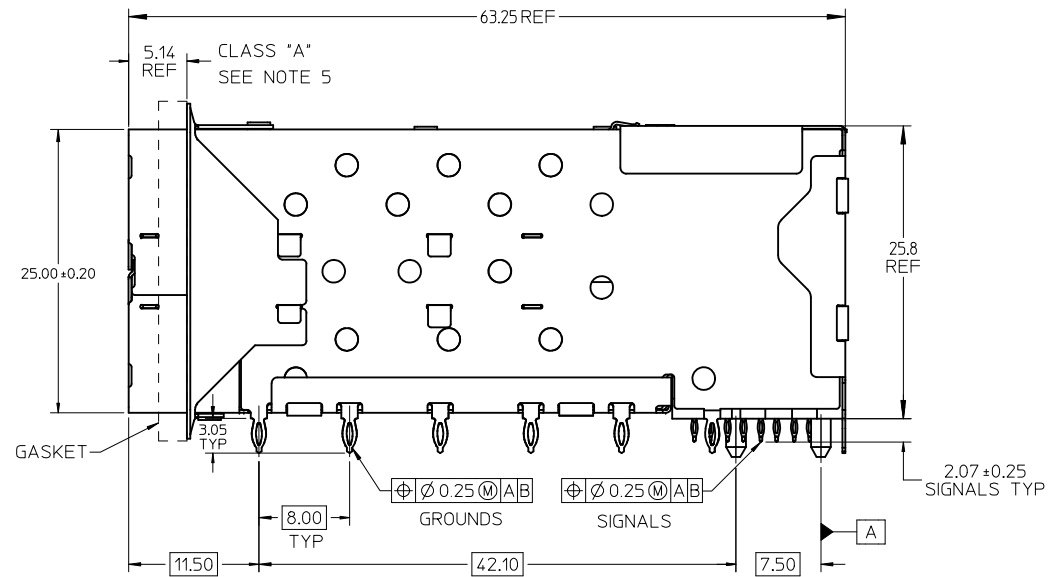
DDD = DAY OF THE YEAR

Y = YEAR

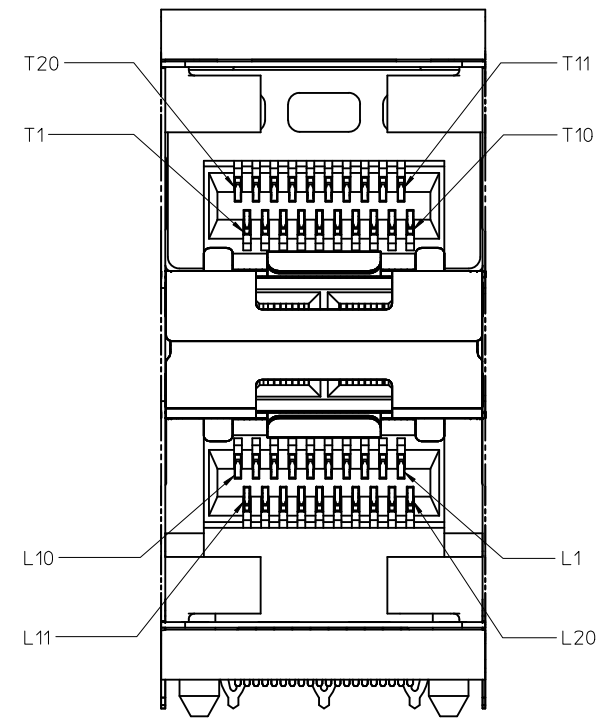
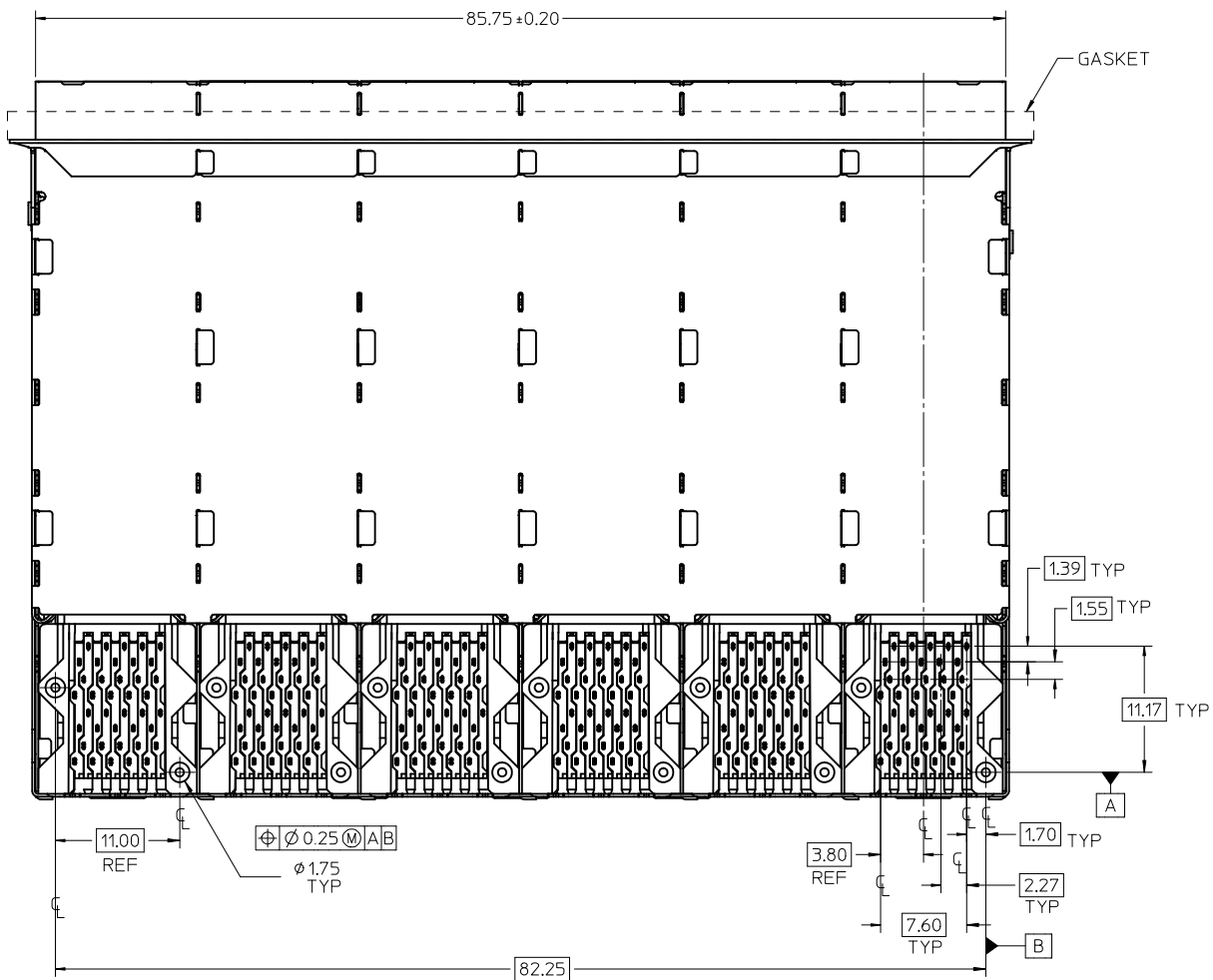
MX = MOLEX

A = ALPHA CHARACTER - INDICATES MANUFACTURING LINE

1 = NUMERIC CHARACTER - INDICATES PRODUCTION SHIFT

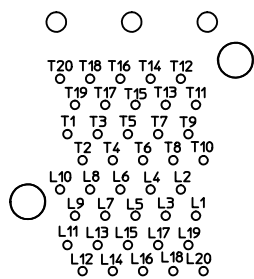


ADD NOTE 6 & 7 EC NO: UCP2011-2594 DRWN: MWOLFE 2011/03/08 CHKD: BBARKER 2011/03/08 APPR: SWILLER 2011/09/20	QUALITY SYMBOLS ▽ = 0 ▽ = 0 ▽ = 0	GENERAL TOLERANCES (UNLESS SPECIFIED)		DIMENSION STYLE MM ONLY		SCALE 3:1	DESIGN UNITS METRIC	THIRD ANGLE PROJECTION			
		4 PLACES ± --- ± ---	3 PLACES ± --- ± ---	2 PLACES ± 0.13 ± ---	1 PLACE ± 0.25 ± ---	DRAWN BY JLONG	DATE 01-18-2007	TITLE STACKED SFP+ 2X6 ASS'Y WITH ELASTOMERIC GASKET			
		ANGULAR ± 5 °				CHECKED BY MSANDBERG	DATE 01-18-2007	MOLEX INCORPORATED			
		DRAFT WHERE APPLICABLE MUST REMAIN WITHIN DIMENSIONS				APPROVED BY RNELSON	DATE 01-18-2007				

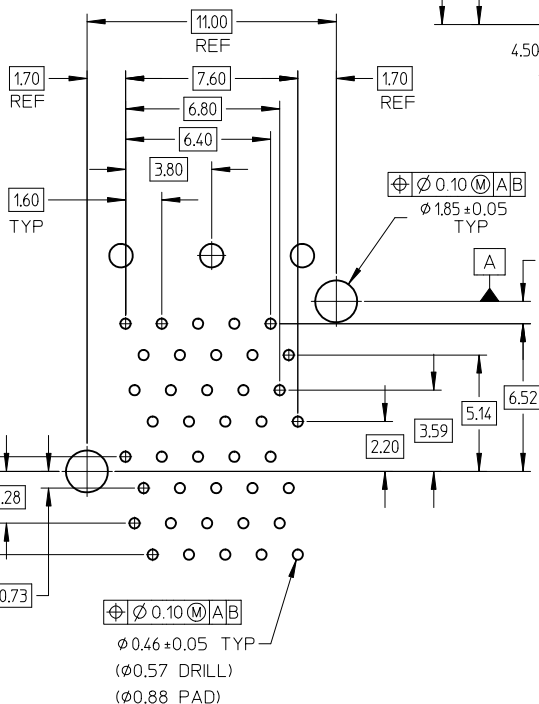
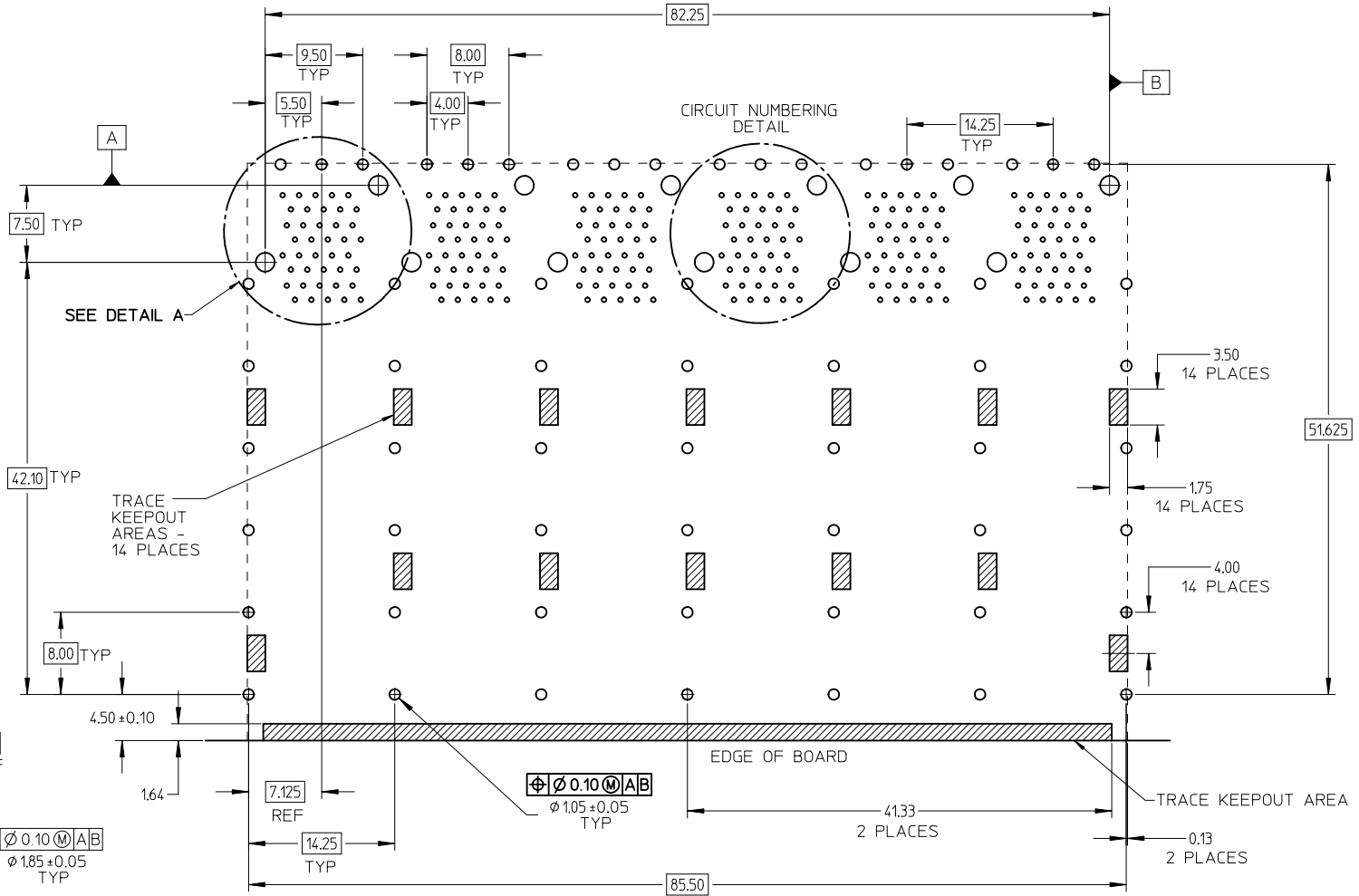


DETAIL B
SCALE 6:1
CIRCUIT NUMBERING

ADD DETAIL B EC NO: UCP2011-2594 DRWN:WOLFE 2011/03/08 CHKD:BBARKER 2011/03/08 APPR:SMILLER 2011/09/20	QUALITY SYMBOLS ▽=0 ▽=0 ▽=0	GENERAL TOLERANCES (UNLESS SPECIFIED)		DIMENSION STYLE MM ONLY	SCALE 3:1	DESIGN UNITS METRIC	THIRD ANGLE PROJECTION		
		4 PLACES ± --- ± --- 3 PLACES ± --- ± --- 2 PLACES ± 0.13 ± --- 1 PLACE ± 0.25 ± ---	mm INCH ± --- ± --- ± --- ± --- ± --- ± --- ± --- ± ---	DRAWN BY DATE JLONG 01-18-2007	CHECKED BY DATE MSANDBERG 01-18-2007	STACKED SFP+ 2X6 ASS'Y WITH ELASTOMERIC GASKET			
		ANGULAR ± 5 °		APPROVED BY DATE RNELSON 01-18-2007	MOLEX INCORPORATED				
		DRAFT WHERE APPLICABLE MUST REMAIN WITHIN DIMENSIONS	SEE TABLE	MATERIAL NO. DOCUMENT NO.	SD-76104-001	SHEET NO. 2 OF 4			



CIRCUIT NUMBERING DETAIL
COMPONENT SIDE OF BOARD
SCALE 5:1

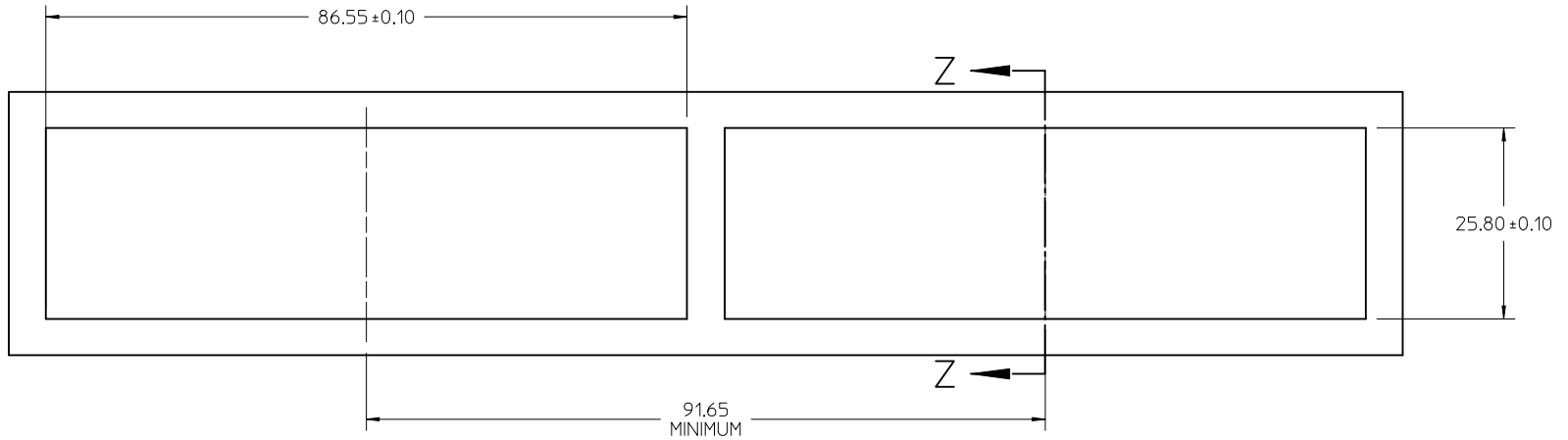


DETAIL A
SCALE 6:1

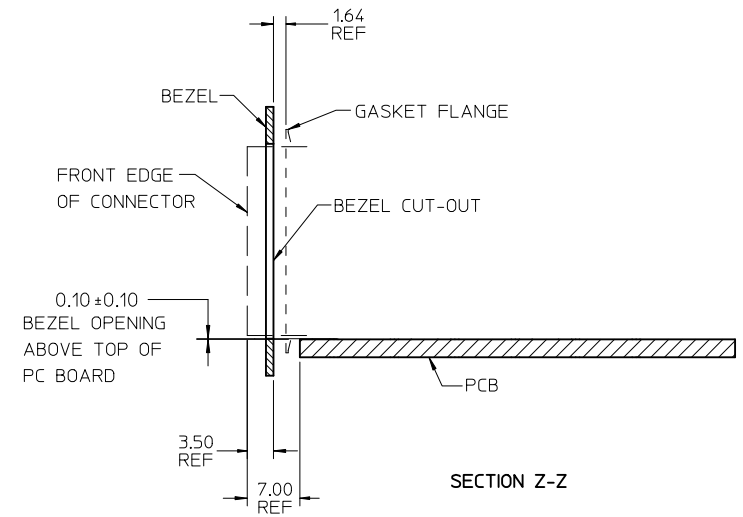
RECOMMENDED PCB LAYOUT - COMPONENT SIDE
RECOMMENDED PCB THICKNESS - 2.36 MM (.093 INCH)

THE ENTIRE AREA OF CONNECTOR FOOTPRINT
TO BE CONSIDERED THE KEEP OUT AREA FOR COMPONENTS
THIS AREA IS INDICATED BY THE DASHED LINE

CHG DETAIL CALLOUT EC NO: UCP2011-2594 DRWN: MWOLFE 2011/03/08 CHKD: BBARKER 2011/03/08 APPR: SMILLER 2011/09/20 REV:	QUALITY SYMBOLS	GENERAL TOLERANCES (UNLESS SPECIFIED) 4 PLACES ± --- ± --- 3 PLACES ± --- ± --- 2 PLACES ± 0.13 ± --- 1 PLACE ± 0.25 ± --- ANGULAR ± 5 °	DIMENSION STYLE MM ONLY	SCALE 3:1	DESIGN UNITS METRIC	THIRD ANGLE PROJECTION	
	▽ = 0 ▽ = 0 ▽ = 0		DRAWN BY JLONG	DATE 01-18-2007	TITLE STACKED SFP+ 2X6 ASS'Y WITH ELASTOMERIC GASKET		
		DRAFT WHERE APPLICABLE MUST REMAIN WITHIN DIMENSIONS	CHECKED BY MSANDBERG	DATE 01-18-2007	APPROVED BY RNELSON 01-18-2007		
			MATERIAL NO. SEE TABLE	DOCUMENT NO. SD-76104-001	SHEET NO. 3 OF 4		



BEZEL CUT-OUT DETAIL
BEZEL THICKNESS: 0.8 - 2.6



ADD SECOND BEZEL CUTOUT IEC NO: UCP2011-2594 DRWN:WOLFE 2011/03/08 CHKD:BBARKER 2011/03/08 APPR:SMILLER 2011/09/20	QUALITY SYMBOLS ▽=0 ▽=0 ▽=0	GENERAL TOLERANCES (UNLESS SPECIFIED)		DIMENSION STYLE MM ONLY		SCALE 2:1	DESIGN UNITS METRIC	THIRD ANGLE PROJECTION		
		4 PLACES ± --- ± ---	mm	INCH	DRAWN BY JLONG	DATE 01-18-2007	STACKED SFP+ 2X6 ASS'Y WITH ELASTOMERIC GASKET			
		3 PLACES ± --- ± ---			CHECKED BY MSANDBERG	DATE 01-18-2007				
		2 PLACES ± 0.13 ± ---			APPROVED BY RNELSON	DATE 01-18-2007	MOLEX INCORPORATED			
1 PLACE ± 0.25 ± ---			MATERIAL NO. SEE TABLE		DOCUMENT NO. SD-76104-001		SHEET NO. 4 OF 4			
ANGULAR ± 5 °		DRAFT WHERE APPLICABLE MUST REMAIN WITHIN DIMENSIONS		THIS DRAWING CONTAINS INFORMATION THAT IS PROPRIETARY TO MOLEX INCORPORATED AND SHOULD NOT BE USED WITHOUT WRITTEN PERMISSION						