

NOTES:

1) MATERIALS:

HOUSING: GLASS FILLED LCP (LIQUID CRYSTAL POLYMER),  
UL 94V-0, COLOR: BLACK.  
TAIL ALIGNER: GLASS FILLED LCP (LIQUID CRYSTAL POLYMER),  
UL 94V-0, COLOR: BLACK.  
MOLDED STICK: LCP 30% GLASS FILLED, 94V-0, BLACK.  
FEMALE CONTACT: BERYLLIUM COPPER .0100±.0005 THICK.  
OUTER SHELL: LOW CARBON STEEL.  
THREADED INSERT: BRASS.

2) PLATING :

TERMINAL: .000030/(0.00076) MINIMUM GOLD IN SELECTIVE AREA;  
.000100/(0.00254) MINIMUM TIN IN SELECTIVE AREA;  
OVER NICKEL UNDERPLATE OVERALL.

OUTER SHELL: .000150/(0.00381) MINIMUM TIN OVER  
.000050/(0.00127) MINIMUM NICKEL OVER  
COPPER FLASH (OPTIONAL).

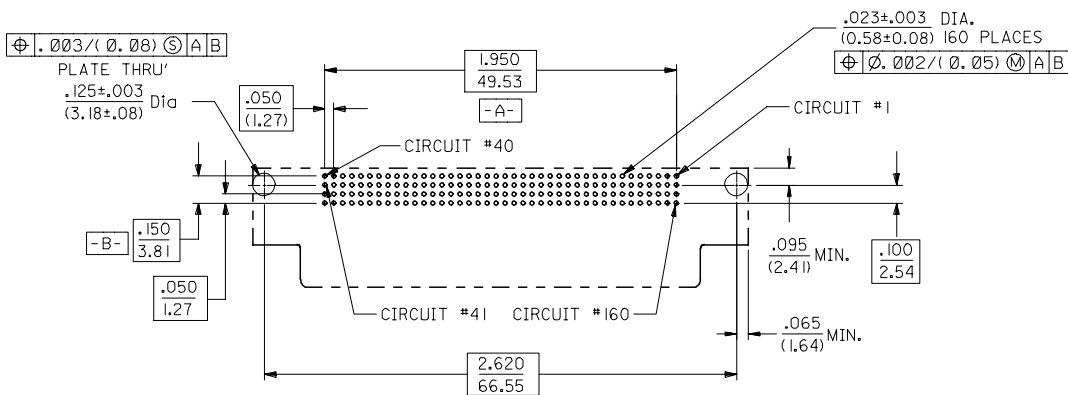
3) THIS PART CONFORMS TO MOLEX PRODUCT SPECIFICATION PS-71626.

4) PACKAGING SPECIFICATION PK-70873-0229 APPLIES.

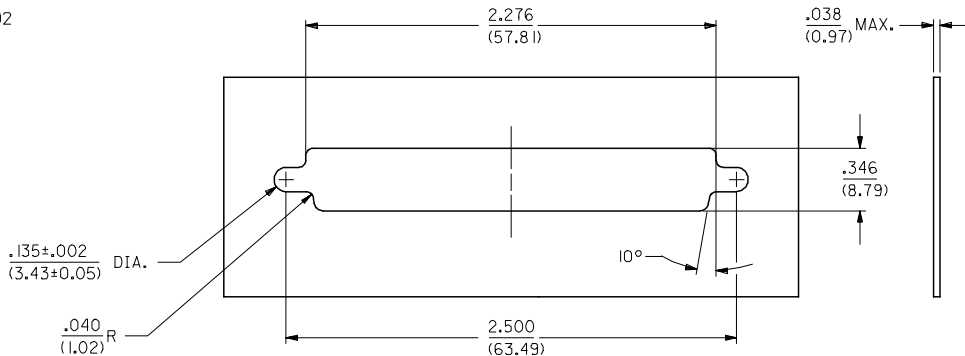
5) PART COMPLIES WITH CLASS B OF COSMETIC SPECIFICATION PS-45499-002

NOTE FOR LEAD FREE CONVERSION:

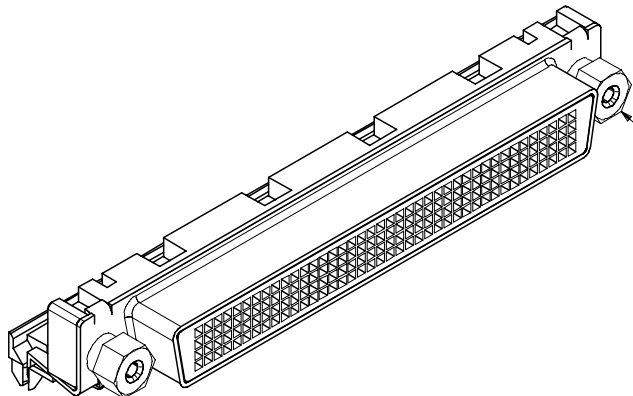
THE PRIMARY SHIPPING CARTON WILL BE  
LABELED 'COMPLIANT TO RoHS DIRECTIVE  
2002/95/EC AND ELV ANNEX II OF  
DIRECTIVE 2000/53/EC'. CARTONS  
WITHOUT THIS LABEL MAY CONTAIN  
PRODUCT WITH LEAD.



RECOMMENDED PC BOARD LAYOUT  
COMPONENT SIDE



PANEL CUT-OUT DIMENSIONS  
ALL TOLERANCES ±.003/(0.08)  
UNLESS OTHERWISE STATED.



FOR OPTIONAL HARDWARE DETAILS  
SEE SDA-71629-\*\*\*\*\*

ADD NOTE 5 FC NO: UCP2006-3051 G DRAWN BY: BARRA 2006/07/10 CHKD: MORGAN 2006/07/10 APPR: SMILLER 2006/07/11 REV DESCRIPTION	QUALITY SYMBOLS ▽=0 ▽=0	GENERAL TOLERANCES (UNLESS SPECIFIED) mm INCH 4 PLACES ± --- ± --- 3 PLACES ± --- ± .010 2 PLACES ± 0.25 ± --- 1 PLACE ± --- ± --- ANGULAR ±1/2°	DIMENSION STYLE IN/MM DRAWN BY DATE SCHMIDGALL 1993/07/20 CHECKED BY DATE MOS 1993/07/20 APPROVED BY DATE BIXLER 1993/07/20 MATERIAL NO.	SCALE 2:1 DESIGN UNITS INCH THIRD ANGLE PROJECTION	TITLE .050 PITCH LFH 160 CKT RIGHT ANGLE I/O FEMALE SALES ASSEMBLY
	DRAFT WHERE APPLICABLE MUST REMAIN WITHIN DIMENSIONS	SEE TABLE SIZE C	MOLEX INCORPORATED DOCUMENT NO. SDA-71626-200* SHEET NO. 2 OF 2		