

6

5

4

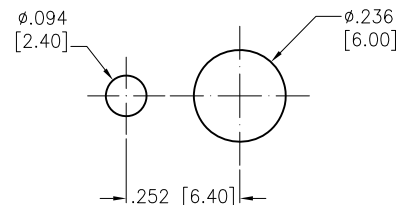
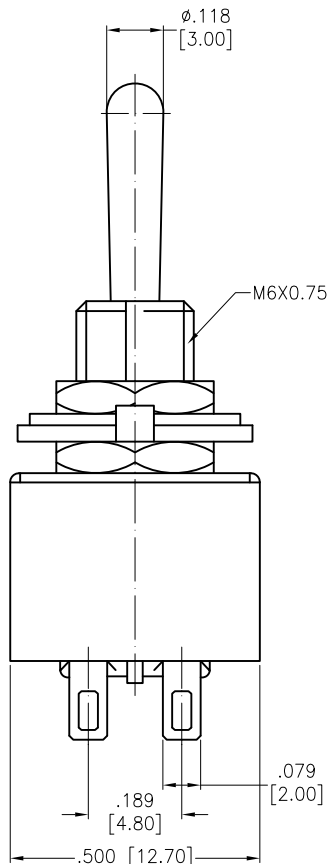
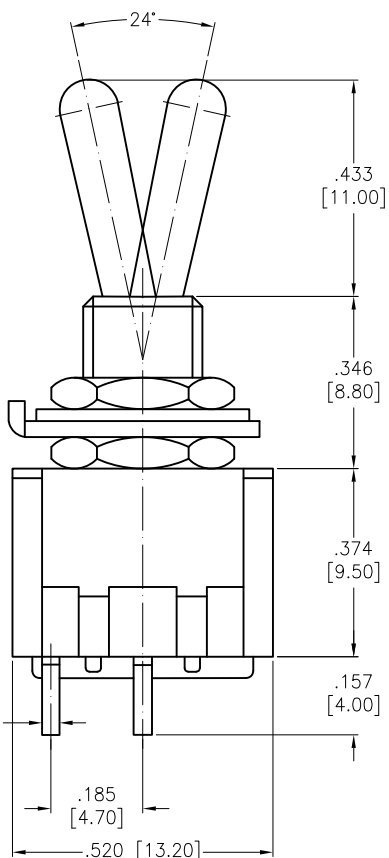
3

2

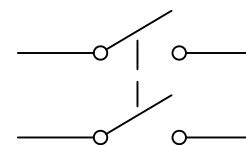
1

APPROVED: \_\_\_\_\_  
DATE: \_\_\_\_\_ TITLE: \_\_\_\_\_

Rev	AWO #	Description	Date	Appr
-		RELEASED	11/17/20	



RECOMMENDED  
PANEL CUT-OUT



CIRCUIT DIAGRAM  
(DPST)

SW-T2-3X-A-A2-M2  
 A=ON-OFF  
 C=OFF-(ON)

SPECIFICATIONS:

Material:  
 Body: Bakelite, Color: Black  
 Lever: Brass, Nickel plated  
 Terminal: Brass, Silver plated  
 Electrical:  
 Rating: 3A @ 250V AC  
 6A @ 125V AC  
 Contact resistance: 20 mΩ max  
 Insulation resistance: 1000 MΩ min (500VDC)  
 Dielectric withstanding voltage: 1500V AC for 1 minute  
 Electrical Life: 10,000 cycles  
 Temperature Rating:  
 Operating temperature: -25°C to +85°C  
 Environmental:  
 Lead free, RoHS compliant



UNLESS OTHERWISE SPECIFIED  
 ALL DIMENSIONS ARE INCHES [MM]  
 TOLERANCES: EXCEPT AS NOTED  
 INCHES HOLES  
 .X ± .10 Ø.X ± .10  
 .XX ± .020 Ø.XX ± .015  
 .XXX ± .015 Ø.XXX ± .010



909 Rahway Avenue,  
 Union, NJ 07083  
 Phone: 908-687-5000  
 Fax: 908-687-5710

TITLE SWITCH, TOGGLE MINIATURE, DPST,  
 ON-OFF, OFF-(ON), SOLDER TYPE

APPROVALS		DATE
DRAWN	OW	11/17/20
CHECKED	AC	11/17/20
APPROVED		

SIZE X	PART NO. SW-T2-3X-A-A2-M2	REV. -
REF: -	SCALE: NTS	SHEET 1 OF 1

6

5

4

3

2

1