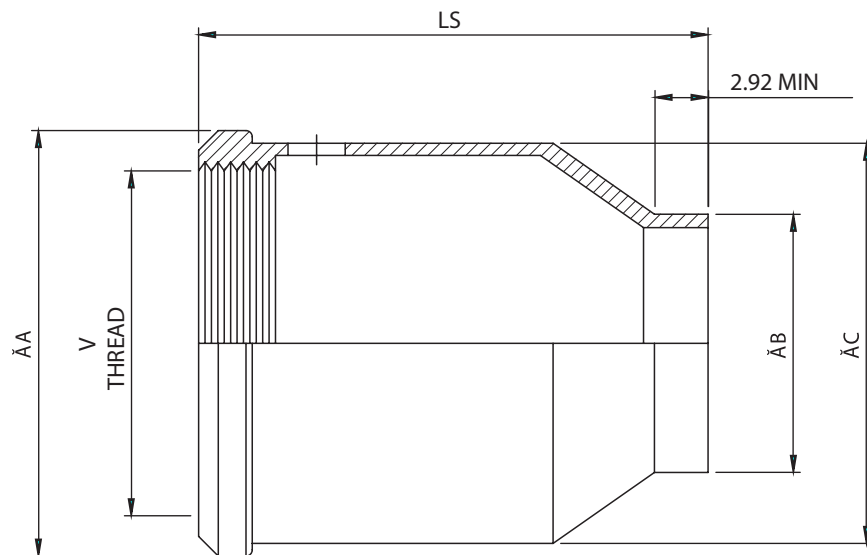


Straight; Shielded

38999 Series I & Series II

M85049	/33	1	10
SERIES	SLASH SHEET	FIGURE	ADAPTR SHELL SIZE

Material: Aluminium Alloy
 Finish: Tin- Lead Solder Plated



Adapter Shell Size	Connector Shell Size		ØA MAX		ØB MAX		ØC MAX		LS MAX		V THREAD UNEF CLASS 2B
	Series I	Series II	mm	inch	mm	inch	mm	inch	mm	inch	
8	8	9	15.09	0.59	9.12	0.36	13.11	0.52	21.44	0.84	0.4375-28
10	10	11	18.26	0.72	10.31	0.41	16.28	0.64	24.61	0.97	0.5625-24
12	12	13	21.44	0.84	12.7	0.50	19.46	0.77	27.79	1.09	0.6875-24
14	14	15	24.61	0.97	14.68	0.58	22.63	0.89	29.36	1.16	0.8125-20
16	16	17	27.79	1.09	16.28	0.64	25.81	1.016	30.96	1.22	0.9375-20
18	18	19	30.96	1.22	17.48	0.69	28.98	1.14	34.14	1.34	1.0625-18
20	20	21	34.14	1.34	18.64	0.73	32.13	1.26	37.31	1.478	1.1875-18
22	22	23	37.31	1.47	20.22	0.80	35.33	1.39	40.49	1.59	1.3125-18
24	24	25	40.49	1.59	21.82	0.86	38.51	1.52	43.66	1.72	1.4375-18