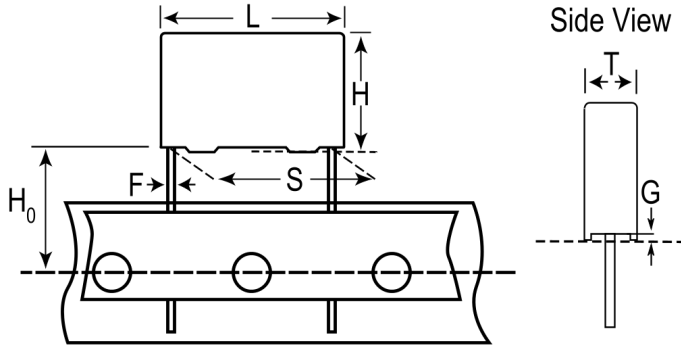


## F873DO823M760L

F873, Film, Metallized Polypropylene, Safety, 0.082 uF, 20%, 760 VAC (X1), 1500 VDC, 110°C, Lead Spacing = 22.5mm



### General Information

|                 |                          |
|-----------------|--------------------------|
| Series          | F873                     |
| Dielectric      | Metallized Polypropylene |
| Style           | Radial                   |
| Features        | MKP EMI Safety           |
| RoHS            | Yes                      |
| Lead            | Wire Leads               |
| Safety Class    | X1                       |
| Qualifications  | ENEC, UL, cUL, CQC       |
| AEC-Q200        | No                       |
| THB Performance | No                       |
| Miscellaneous   | ClimCat: 40/110/56/B.    |
| Shelf Life      | 104 Weeks                |

### Specifications

|                       |              |
|-----------------------|--------------|
| Capacitance           | 0.082 uF     |
| Capacitance Tolerance | 20%          |
| Voltage AC            | 760 VAC (X1) |
| Voltage DC            | 1500 VDC     |
| Temperature Range     | -40/+110°C   |
| Rated Temperature     | 110°C        |
| Dissipation Factor    | 0.1% 1kHz    |
| Insulation Resistance | 30 GOhms     |
| Max dV/dt             | 300 V/us     |

Click [here](#) for the 3D model.

### Dimensions

|    |                    |
|----|--------------------|
| L  | 26mm -0.5mm        |
| H  | 18.5mm -0.5mm      |
| T  | 10mm -0.5mm        |
| S  | 22.5mm +0.6/-0.1mm |
| H0 | 18.5mm +/-0.5mm    |
| F  | 0.8mm +/-0.05mm    |
| G  | 0.5mm NOM          |

### Packaging Specifications

|                    |     |
|--------------------|-----|
| Packaging          | T&R |
| Packaging Quantity | 160 |

Statements of suitability for certain applications are based on our knowledge of typical operating conditions for such applications, but are not intended to constitute - and we specifically disclaim - any warranty concerning suitability for a specific customer application or use. This information is intended for use only by customers who have the requisite experience and capability to determine the correct products for their application. Any technical advice inferred from this information or otherwise provided by us with reference to the use of our products is given gratis, and we assume no obligation or liability for the advice given or results obtained.