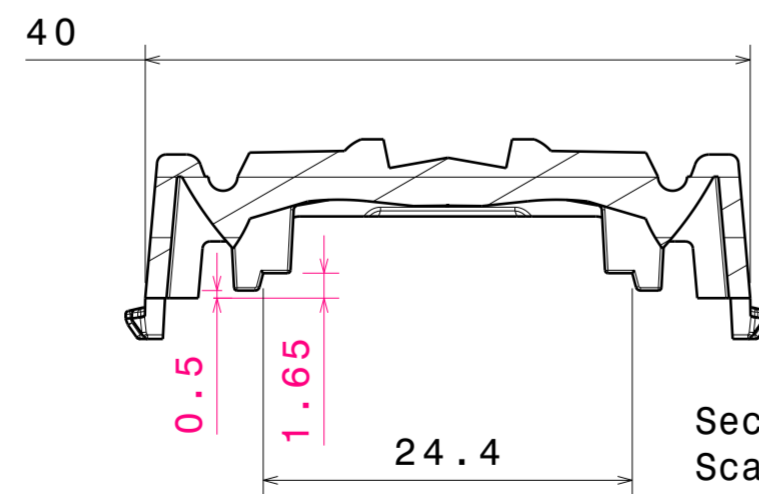
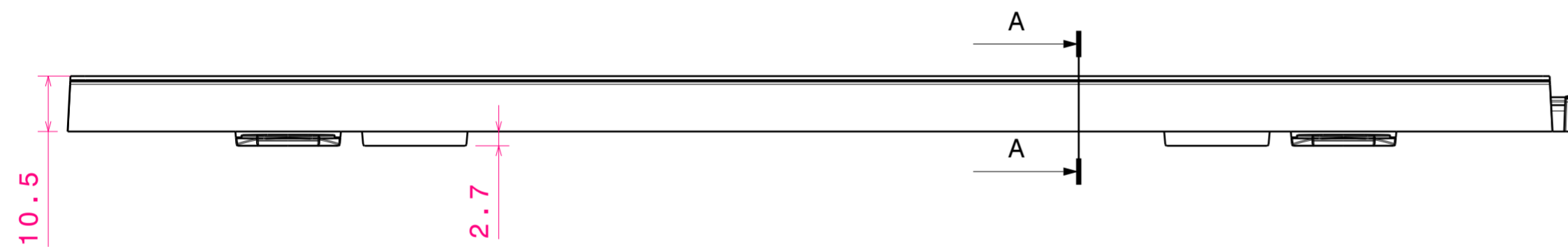


Isometric view  
Scale: 1:1

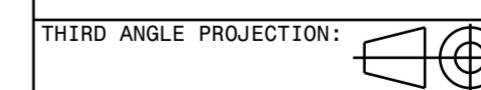


Section view A-A  
Scale: 2:1

INDEX	PART NO	DESCRIPTION	MATERIAL	COLOUR
1	F15952	LINNEA-0-B	PC Lexan 123R	clear

Tolerances if not otherwise shown  
According to DIN ISO 2768-1  
Linear measures:  
Up to 30mm class M, otherwise class C.  
According to DIN ISO 2768-2  
Form and position: class L

**LEDiL** Ledil Oy  
Salorankatu 10  
FIN 24240 SALO  
Finland



THIRD ANGLE PROJECTION:  
DRAWING TITLE  
F15952\_LINNEA-0-B

This drawing is the property  
of LEDiL Oy. It may not be  
reproduced, copied or  
communicated without a written  
agreement with LEDiL Oy.

SIZE	PART NUMBER
A2	F15952

SCALE	1:1	WEIGHT	-	SHEET	1/1
-------	-----	--------	---	-------	-----