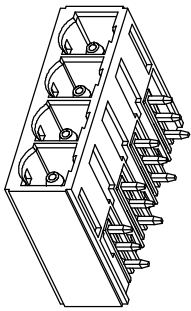
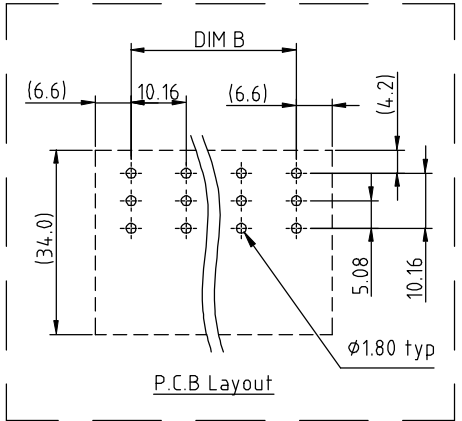
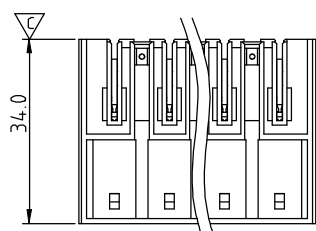


SIGN	DATE	DESCRIPTION	APPROVER
△	03/04`14	update the drawing	Chen Bo
THIS IS CAD DRAWING, DO NOT REVISE MANUALLY!!!			

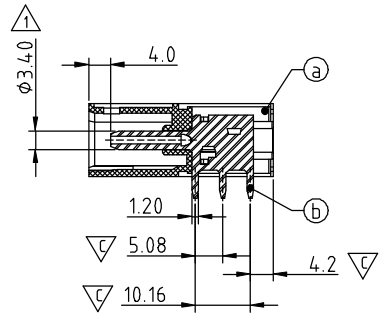
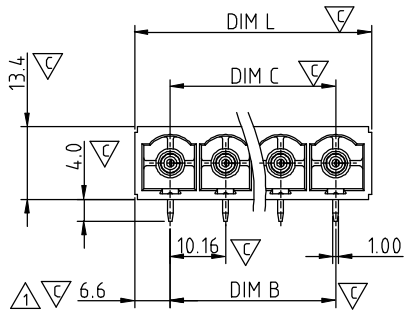


Material:

- Item a Terminal(housing): Thermoplastic,UL 94 - V0.
- Item b Male contact pin: Copper, Gold plated

Electrical: cULus / IEC

- Voltage rating: 300V / 1000V
- Current rating: 55A / 76A
- Withstanding Voltage: 1.6 KV / 8 KV
- Operating temperature: -40°C to +115°C
- Soldering temperature: 260°C±5°C/5 Sec
- Safety Approval:
- Critical dimension: ▽



**△ EW xx 61 x 1 xxxx G**

Solid Block ←

02 2Contacts  
03 3Contacts  
12 12Contacts

Color

- 0 Black (RAL9005)
- 2 Red (RAL3001/D)
- 3 Orange(RAL2011/P)
- 4 Yellow(RAL1018/A)
- 5 Green(RAL6018/T)
- 6 Blue (RAL5015/A)
- 8 Grey(RAL7035/D)
- 9 White(RAL1102)
- C Green(RAL6018/U)

→ G RoHS compliant (lead<4%)  
In copper Alloy  
0000 Standard @ Logo  
000A Standard ANY Logo  
Any special item by customer request, please contact sales department.

Dimension

Dim L	$N \times 10.16 + 3.04$
Dim B	$(N-1) \times 10.16$
Dim C	$(N-1) \times 10.16$

N=Number of poles

POLES	TOL
2p-5p	±0.25
6p-8p	±0.35
9p-12p	±0.45



<b>ANYTEK</b>				<b>CUSTOMER COPY</b>															
ALL RIGHTS RESERVED. REPRODUCTION OR ISSUE TO THIRD PARTIES IN ANY FORM WHATSOEVER IS NOT PERMITTED WITHOUT WRITTEN AUTHORITY FROM THE PROPRIETOR. PROPERTY OF ANYTEK TECHNOLOGY CO., LTD																			
TITLE	EW 10.16 Series 2p-12p Right-Angle ( down )																		
PART NO.	EWxx61x1xxxxG			DWG NO.	8EW0001														
APPROVED	CHECKED	DESIGNED	DRAWN	CUST NO.	Tolerance														
		Chen Bo 03/04`14	Chen Bo 03/04`14		<table border="1" style="font-size: x-small;"> <tr> <td>UNIT: mm</td> <td>X.</td> <td>±0.50</td> </tr> <tr> <td>SCALE: NONE</td> <td>X.X</td> <td>±0.30</td> </tr> <tr> <td></td> <td>X.XX</td> <td>±0.10</td> </tr> <tr> <td></td> <td>X°</td> <td>±1°</td> </tr> </table>			UNIT: mm	X.	±0.50	SCALE: NONE	X.X	±0.30		X.XX	±0.10		X°	±1°
UNIT: mm	X.	±0.50																	
SCALE: NONE	X.X	±0.30																	
	X.XX	±0.10																	
	X°	±1°																	
					SHEET: 01/01	REV.: C													