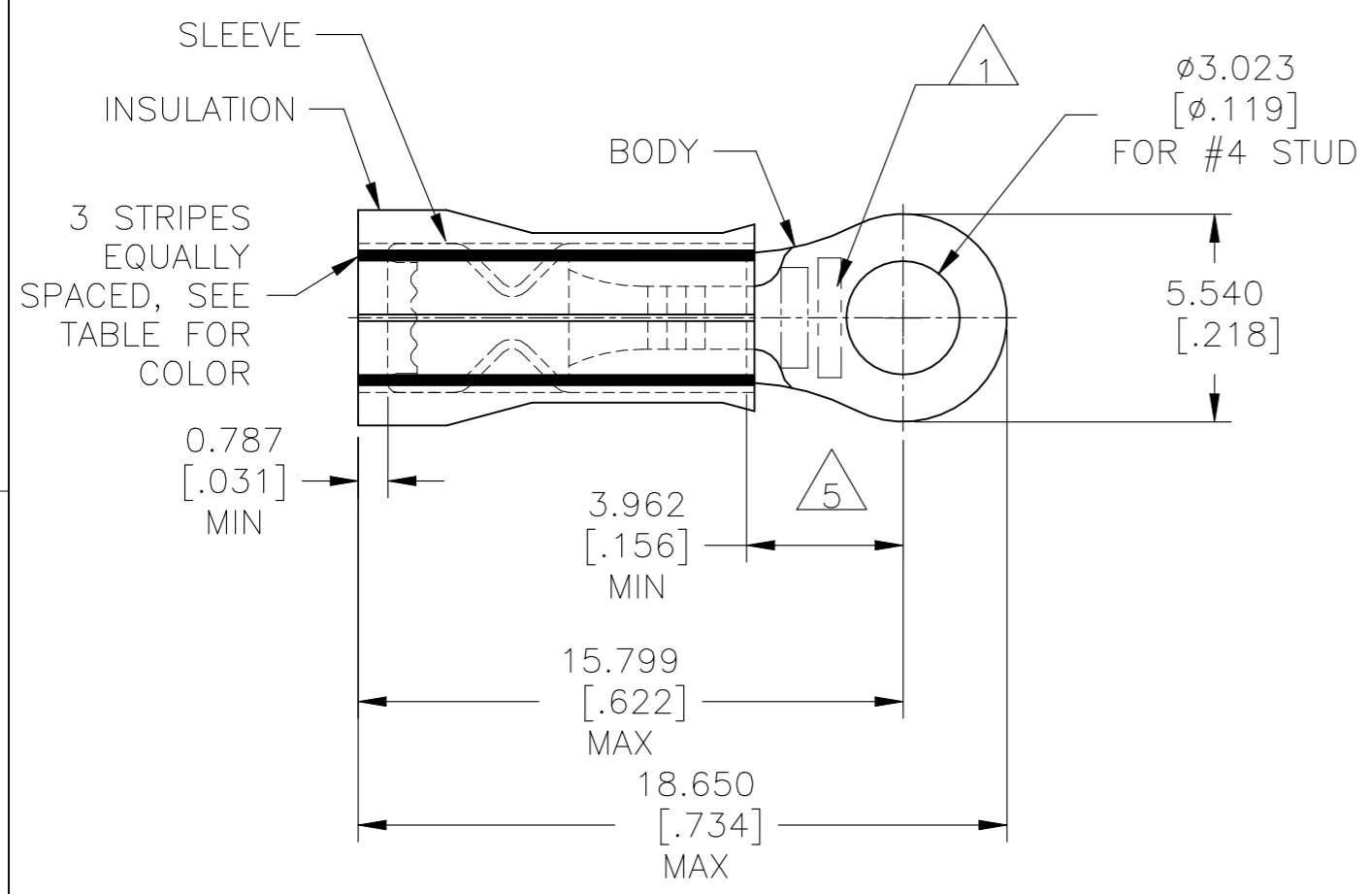


REVISIONS					
P	LTR	DESCRIPTION	DATE	DWN	APVD
	N3	REVISED PER ECN-22-156403	03JUN2022	RK	CSD

AMP
WIRE RANGE

22-16 AWG
SOLID OR STRANDED



- 1 STAMP "AMP ", (SEE TABLE) APPROX AS SHOWN.
- 2 WIRE INSULATION DIA: SEE TABLE.
- 3 BODY MATERIAL THK: 0.787±0.051[.031±.002].
- 4 MATERIAL:
BODY & SLEEVE: CU PER ASTM B152
INSULATION: NYLON PER ASTM D4066.
- 5 APPLIES FROM EDGE OF METAL WIRE BARREL TO CENTER OF STUD HOLE.
- 6 MEETS M7928/1-11, CLASS 1.
- 7 MEETS M7928/1-20, CLASS 1.
- 8 MEETS M7928/1-29, CLASS 1.
- 9 FINISH:
BODY & SLEEVE: TIN PLATE 0.00254[.000100] MIN
EXT THK PER ASTM B545
INSULATION: COLOR - RED.

QTY	PACKAGE TYPE	WIRE STAMPING	WIRE INSUL. DIA	WIRE SIZE	COLOR CODE	PART NO
500	LOOSE PIECE	18*	1.422[.056]-2.794[.110]	18	WHITE	52273-2
500	LOOSE PIECE	20*	1.168[.046]-2.794[.110]	20	RED	52273-1
500	LOOSE PIECE	22*	0.965[.038]-2.794[.110]	22	GREEN	52273

CUSTOMER SERVICE SYSTEMS FOR ADDITIONAL PRODUCT INFORMATION OR COPIES OF DRAWINGS AND TECHNICAL DOCUMENTS PRODUCT INFORMATION CENTER 1-800-522-6752 FOR APPLICATION TOOLING ASSISTANCE CENTER TOOLING INFORMATION 1-800-722-1111 FOR ORDER ENTRY 1-800-526-5142		MAX RECOMMENDED OPERATING TEMPERATURE: 105°C[221°F] MAX VOLTAGE RATING: 300 V MAX CIRCULAR MIL AREA: 0.26-1.65mm² [509-3,260] STRANDED OR SOLID		THIS DRAWING IS A CONTROLLED DOCUMENT. DIMENSIONS: mm [INCHES] TOLERANCES UNLESS OTHERWISE SPECIFIED: 0 PLC ± - 1 PLC ± - 2 PLC ± - 3 PLC ± 0.127[.005] 4 PLC ± - ANGLES ± - FINISH		DWN JR RUTH 13JAN10 CHK T MICHELUTTI 13JAN10 APVD T MICHELUTTI 13JAN10 PRODUCT SPEC APPLICATION SPEC WEIGHT -		TE Connectivity NAME TERMINAL, RING TONGUE, PIDG, INSULATION RESTRICTING, WIRE SIZE: 22-16 AWG SIZE A3 CAGE CODE 00779 DRAWING NO C-52273 RESTRICTED TO - CUSTOMER DRAWING SCALE 5:1 SHEET 1 OF 1 REV N3	
		MATERIAL		MATERIAL					