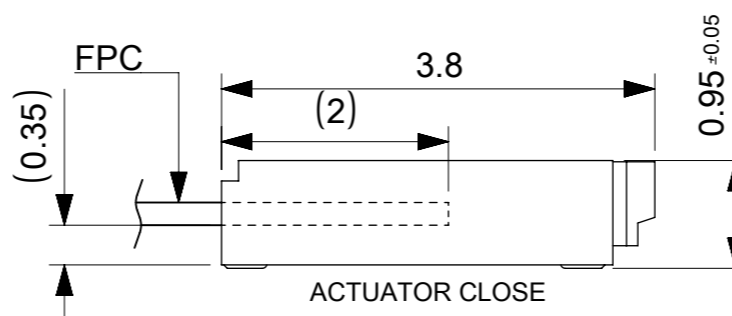
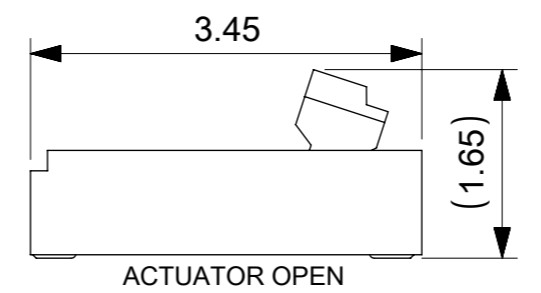
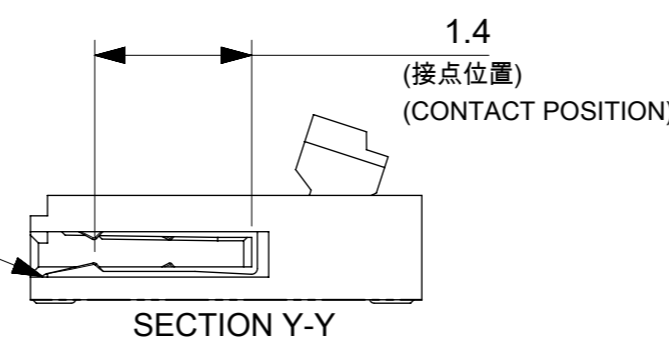
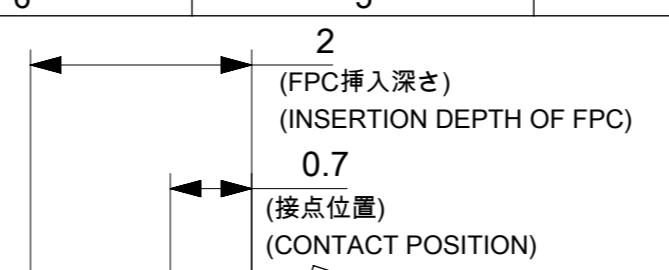
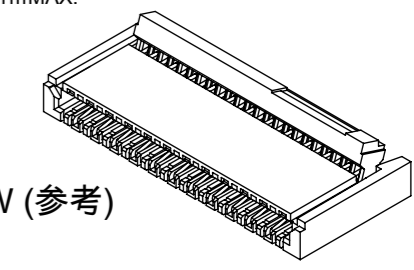


アクチュエータ  
ACTUATOR  
ハウジング  
HOUSING  
奇数極端子  
ODD TERMINAL

偶数極端子  
EVEN TERMINAL



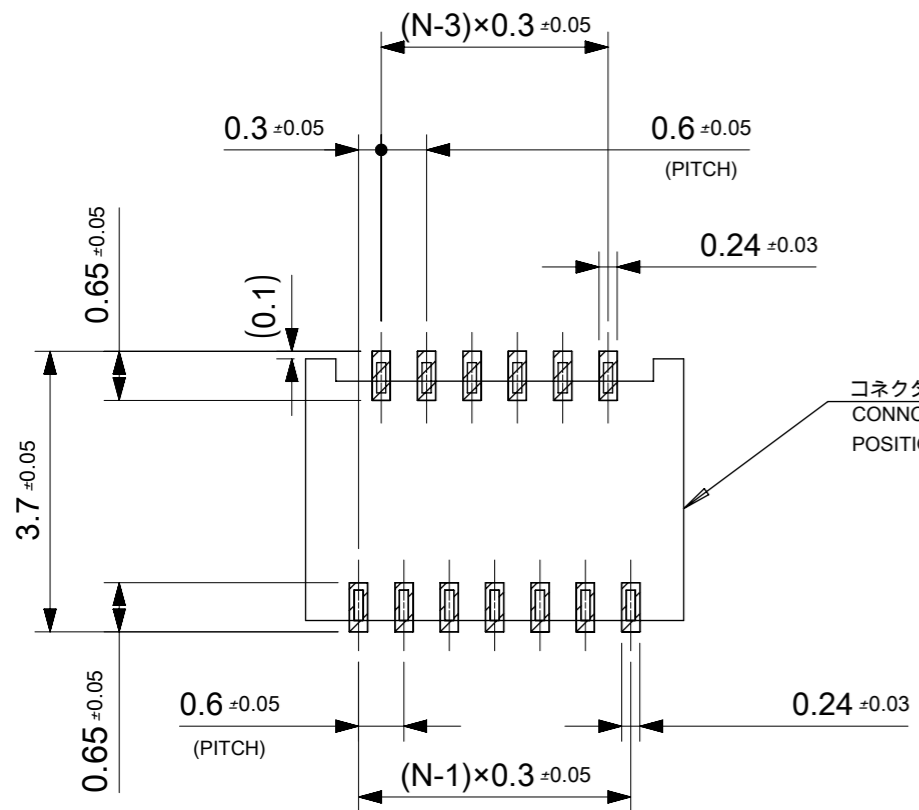
- 注記 NOTES
1. 使用材料 MATERIALS  
 ハウジング :液晶ポリマー(LCP)、ガラス充填、UL94 V-0、ナチュラル(白色系)  
 アクチュエータ :ポリアミド(PA)、ガラス充填、UL94、HB、黒色  
 奇数端子 :リン青銅 t=0.12mm  
 偶数端子 :リン青銅 t=0.12mm  
 HOUSING :LIQUID CRYSTAL POLYMER(LCP)、GLASS FILLED、UL94、V-0、NATURAL(WHITE)  
 ACTUATOR :POLYIMIDE(PA)、GLASS FILLED、UL94、HB、BLACK  
 ODD TERMINAL :PHOSPHOR BRONZE t=0.12mm  
 EVEN TERMINAL :PHOSPHOR BRONZE t=0.12mm
  2. メッキ仕様 PLATING  
 端子 TERMINAL  
 テール部 :金メッキ  
 接点部 :金メッキ 0.1μm以上  
 下地 :ニッケルメッキ 1.0μm以上  
 TAIL AREA: Gold PLATING  
 CONTACT AREA: Gold PLATING 0.1μm MINIMUM  
 UNDER PLATING: Nickel PLATING 1.0μm MINIMUM
  3. 端子の平坦度は0.1mm以下とする  
 COPLANALITY OF SOLDER TAILS: 0.1mm MAX.
  4. ELV及びRoHS適合品  
 ELV AND RoHS COMPLIANT



18.6	17.4	18.0	19.4	504740-6100	61
15.6	14.4	15.0	16.4	504740-5100	51
13.8	12.6	13.2	14.6	504740-4500	45
12.6	11.4	12.0	13.4	504740-4100	41
12.0	10.8	11.4	12.8	504740-3900	39
11.4	10.2	10.8	12.2	504740-3700	37
10.2	9.0	9.6	11.0	504740-3300	33
7.8	6.6	7.2	8.6	504740-2500	25
7.2	6.0	6.6	8.0	504740-2300	23
6.0	4.8	5.4	6.8	504740-1900	19
3.6	2.4	3.0	4.4	504740-1100	11
D	C	B	A	EMBOSSED TAPE	CIRCUITS
				ORDER NO. オーダー番号	

CONNECTOR SERIES NO. 504740-\*\*09

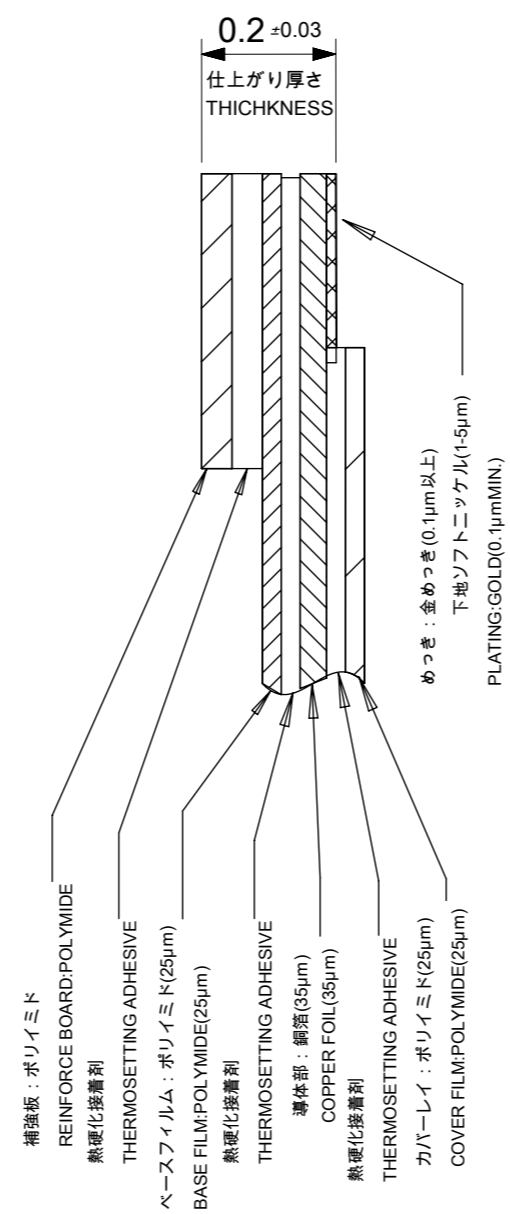
THIS DRAWING CONTAINS INFORMATION THAT IS PROPRIETARY TO MOLEX ELECTRONIC TECHNOLOGIES, LLC AND SHOULD NOT BE USED WITHOUT WRITTEN PERMISSION		CURRENT REV DESC:		<b>molex</b>	
DIMENSION UNITS	SCALE				
mm	10:1			0.3 FPC CONN. BF H=0.95 HOUSING ASSY	
GENERAL TOLERANCES (UNLESS SPECIFIED)				PRODUCT CUSTOMER DRAWING	
ANGULAR TOL	± 1.0 °			DOCUMENT NUMBER	
4 PLACES	± 0.03	EC NO: 646888		5047401000	
3 PLACES	± 0.03	DRWN: TNAKAGAWA01 2020/10/08		DOC TYPE	
2 PLACES	± 0.05	CHK'D: YMATSUMOTO 2020/10/14		PSD	
1 PLACE	± 0.1	APPR: SHOSHIKAWA 2020/10/14		DOC PART	
0 PLACES	± 0.2	INITIAL REVISION:		000	
DRAFT WHERE APPLICABLE MUST REMAIN WITHIN DIMENSIONS		DRWN: SHIRATA 2015/03/03		C	
THIRD ANGLE PROJECTION		APPR: KMORIKAWA 2016/08/02		REVISION	
DRAWING		SERIES		SHEET NUMBER	
A3-SIZE		504740		1 OF 2	



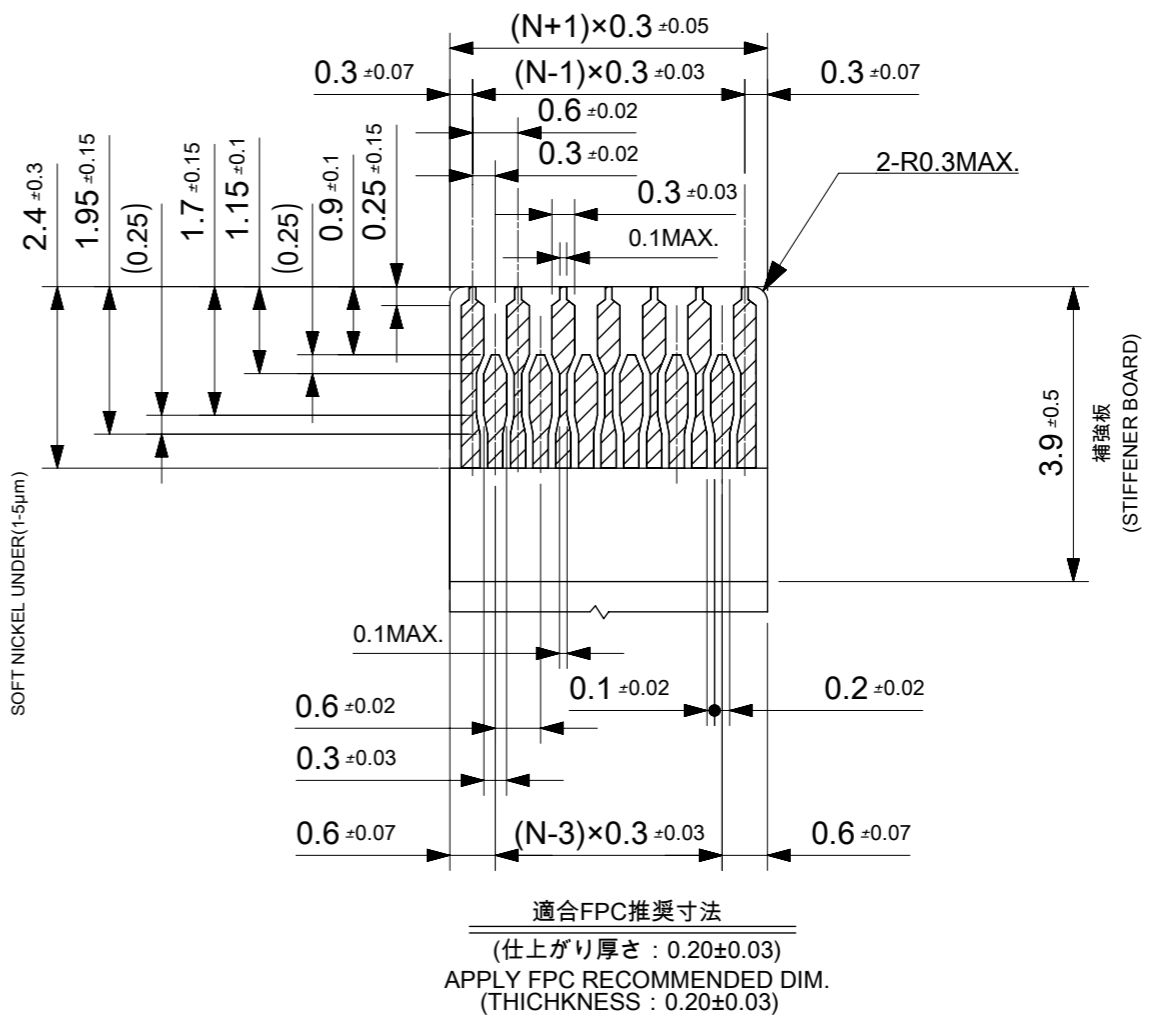
参照基板レイアウト(マウント面)  
P.W. BOARD PATTERN  
DIM.(REF)

推奨メタルマスク厚さ : 0.1mm  
RECOMMENDED METAL MASK THICKNESS : 0.1mm

推奨開口率 : 80%  
APERTURE RATE : 80%



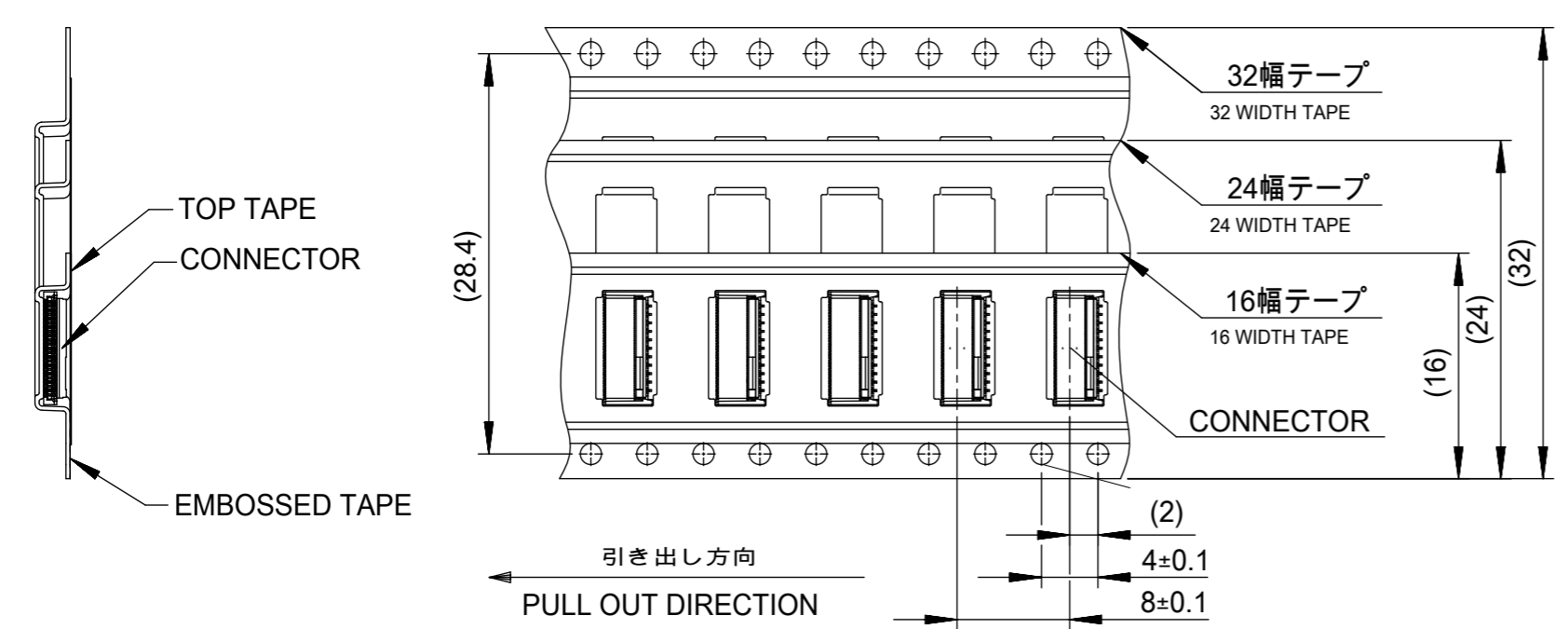
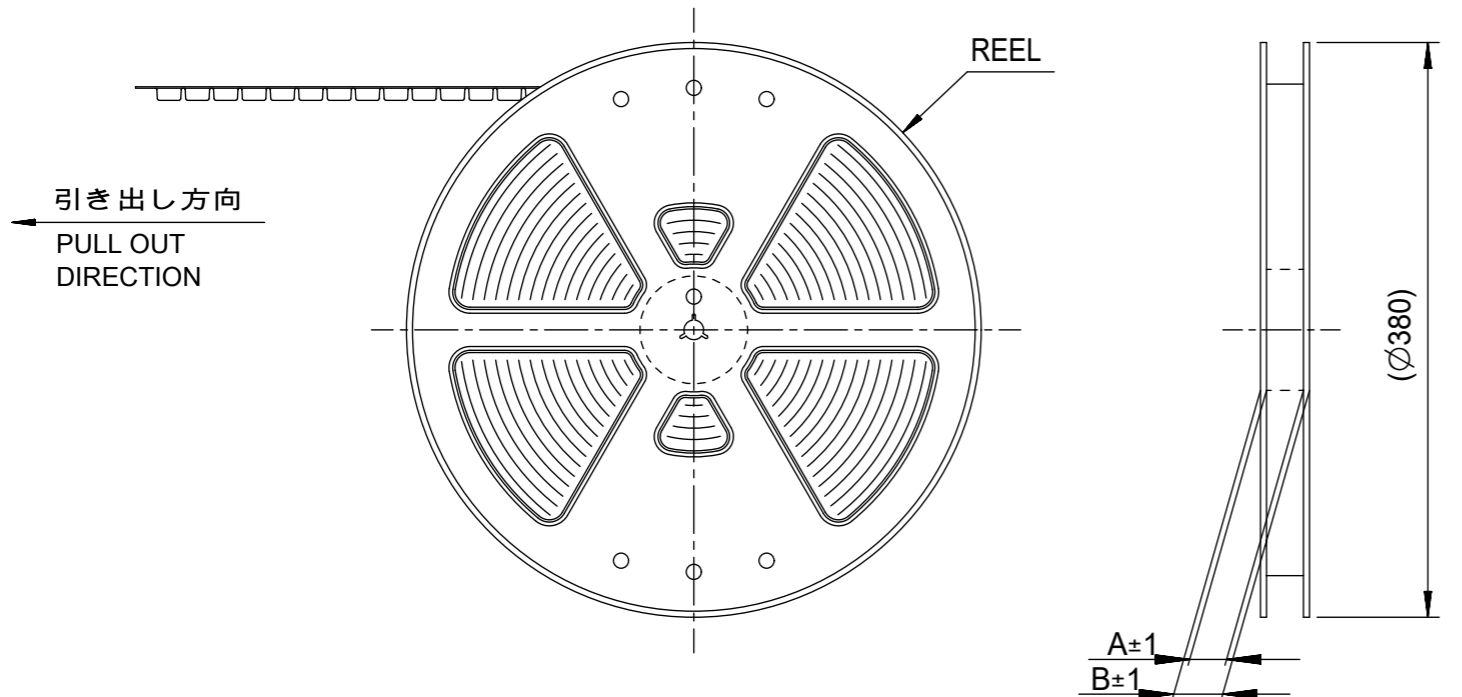
FPC構成推奨仕様  
STRUCTURE OF FPC



FPCについて (ABOUT FPC)  
抜き方向は、導体側から補強版側を推奨致します。  
補強板材質はポリイミド、接着剤は熱硬化接着剤を推奨します。  
尚、接着剤の接点部への付着は導通不良の原因になりますので、染み出しが無い様、お願い致します。  
RECOMMENDED PUNCHER DIRECTION:  
FROM CONDUCTOR SIDE TO STIFFENER BOARD SIDE.  
RECOMMENDED MATERIAL:  
STIFFENER BOARD: POLYIMIDE  
BONDING AGENT: THERMOSETTING AGENT  
PLEASE PUT APPROPRIATE AMOUNT OF ADHESIVE ON ADHEREND  
BECAUSE THERE IS A POSSIBILITY THAT  
THE EXTRA ADHESIVE CAUSES THE DEFECT IN ELECTRICAL CONTINUITY.

※1 補強板の長さが図面通りに確保できない場合は、カバーレイと補強板のオーバーラップ寸法を0.5mm以上としてください。  
WHEN STIFFNER BOARD DIMENSION CAN NOT SECURE AS DRAWING, PLEASE GIVE THE OVERLAP SIZE OF COVER FILM AND STIFFNER BOARD AS 0.5mm MINIMUM.

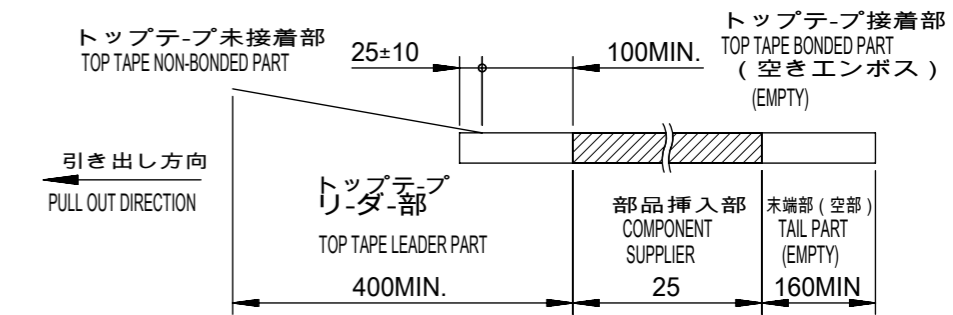
THIS DRAWING CONTAINS INFORMATION THAT IS PROPRIETARY TO MOLEX ELECTRONIC TECHNOLOGIES, LLC AND SHOULD NOT BE USED WITHOUT WRITTEN PERMISSION		CURRENT REV DESC:		<b>molex</b>	
DIMENSION UNITS	SCALE	EC NO: 646888			
mm	1:1	DRWN: TNAKAGAWA01 2020/10/08		PRODUCT CUSTOMER DRAWING	
GENERAL TOLERANCES (UNLESS SPECIFIED)		CHK'D: YMATSUMOTO 2020/10/14		DOCUMENT NUMBER	
ANGULAR TOL ± 1.0°		APPR: SHOSHIKAWA 2020/10/14		5047401000	
4 PLACES ± 0.03	INITIAL REVISION:		DOC TYPE	DOC PART	REVISION
3 PLACES ± 0.03	DRWN: SHIRATA 2015/03/03		PSD	000	C
2 PLACES ± 0.05	APPR: KMORIKAWA 2016/08/02		SHEET NUMBER		
1 PLACE ± 0.1	THIRD ANGLE PROJECTION	DRAWING	SERIES	MATERIAL NUMBER	CUSTOMER
0 PLACES ± 0.2		A3-SIZE	504740	GENERAL	2 OF 2
DRAFT WHERE APPLICABLE MUST REMAIN WITHIN DIMENSIONS					



エンボステープ内の製品の向き  
DIRECTION OF CONNECTOR IN EMBOSSED TAPE

**NOTES**

- 製品詳細寸法については、図面 5047401000をご参照下さい。  
REFER TO THE 5047401000 ABOUT DIMENSIONS IN DETAIL.
- 梱包数量 : 5000 個/リール  
NUMBER OF CONNECTORS : 5000 PCS/REEL
- リードテープ長さ  
LEAD TAPE LENGTH



- トップテープの剥離強度については、IEC60286-3 に準拠  
TOP TAPE PEEL FORCE IS DEFINED BY IEC60286-3.
- 材料  
キャリアテープ : ポリスチレン (PS)  
トップテープ : PET, OTHER  
リール : ポリスチレン (PS) <リサイクル材を含む>

**MATERIAL**  
CARRIER TAPE : POLYSTYRENE(PS)  
TOP TAPE : PET, OTHER  
REEL ; POLYSTYRENE(PS)  
<RECYCLE MATERIAL CONTAINED>

32	37.4	33.4	504740-6100	61
			504740-5100	51
24	29.4	25.4	504740-4500	45
			504740-4100	41
			504740-3900	39
			504740-3700	37
			504740-3300	33
			504740-2500	25
16	21.4	17.4	504740-2300	23
			504740-1900	19
			504740-1100	11
テープ幅 TAPE WIDTH	B	A	EMBOSSED PACKAGE	CIRCUIT
CONNECTION SERIES NO.	504740-**09			
ORDER NO.			504740-**09	

THIS DRAWING CONTAINS INFORMATION THAT IS PROPRIETARY TO MOLEX ELECTRONIC TECHNOLOGIES, LLC AND SHOULD NOT BE USED WITHOUT WRITTEN PERMISSION											
DIMENSION UNITS	SCALE	CURRENT REV DESC:									
mm	1:1	<div style="text-align: center;"><b>molex</b></div> <p>0.3 FPC CONN. BACK FLIP HGT=0.95MM EMBSTP PKG</p> <p>PRODUCT CUSTOMER DRAWING</p>									
GENERAL TOLERANCES (UNLESS SPECIFIED)											
ANGULAR TOL	± 1.0°										
4 PLACES	± 0.2										
3 PLACES	± 0.25										
2 PLACES	± 0.3										
1 PLACE	± 0.1	EC NO: 692510	DRWN: NARENC	2022/01/17	DOCUMENT NUMBER				DOC TYPE	DOC PART	REVISION
0 PLACES	±	CHK'D: TKON	2022/01/19	SD-504740-002				PSD	001	C	
DRAFT WHERE APPLICABLE MUST REMAIN WITHIN DIMENSIONS		THIRD ANGLE PROJECTION	DRAWING	SERIES	MATERIAL NUMBER	CUSTOMER		SHEET NUMBER			
			A3-SIZE	504740	SEE TABLE	GENERAL MARKET		1 OF 1			