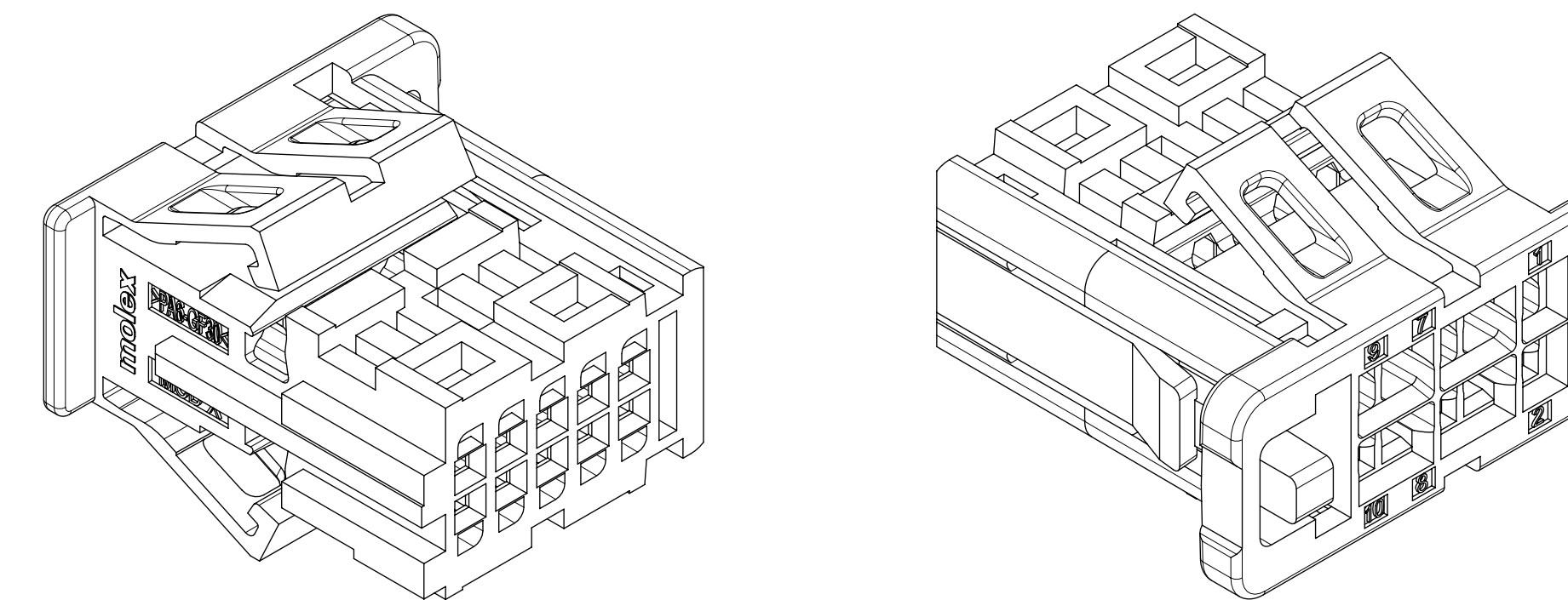


EXAMPLE:

PN 2058264081
 205826 - SERIES NUMBER: RECEPTACLE / CPA ASSEMBLY
 4 - TYPE OF COMPONENT: 2CKT DEPOPULATED (CPA)
 08 - 08 USABLE CIRCUITS
 1 - KEY A

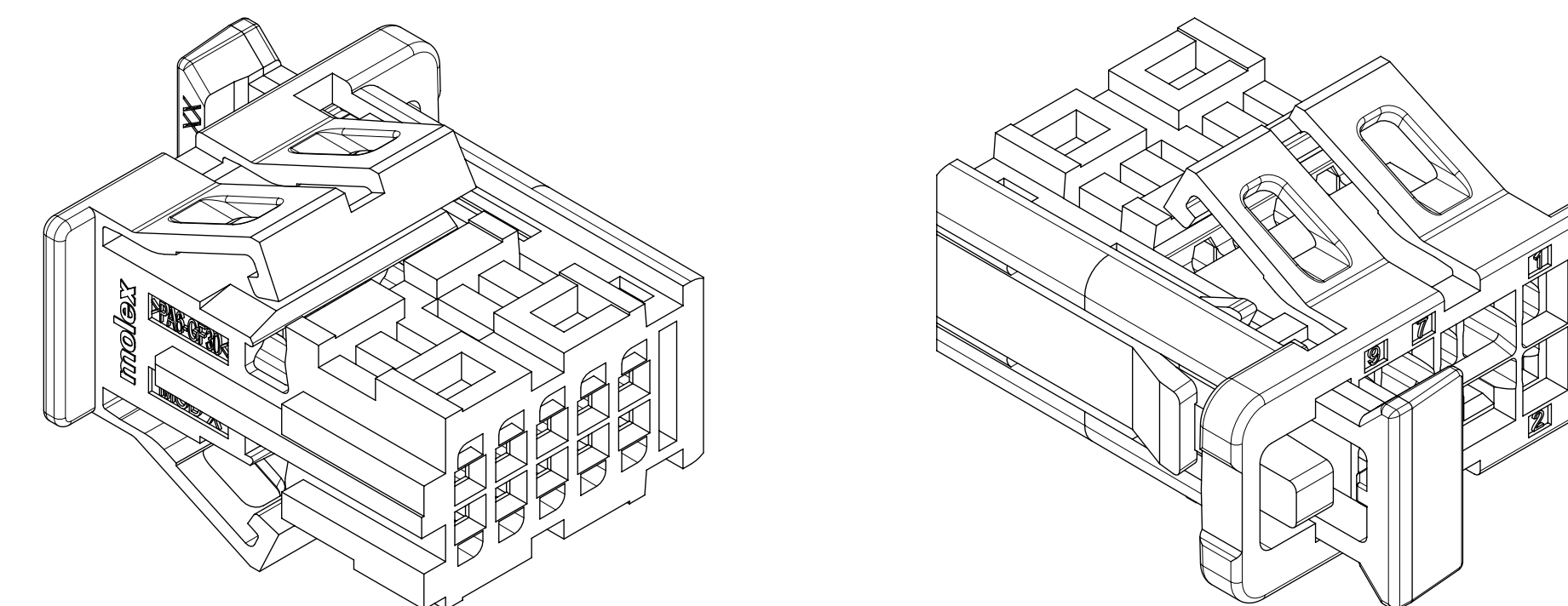
FINAL PART: 08CKT RECT/CPA ASSY - KEY A

**RECEPTACLE
 10CKT SHOWN:**



	SERIES NUMBERS (AAAAAA)	TYPE OF COMPONENT (B)	USABLE CIRCUITS (CC)	KEY (D)
ON DRAWING	205825 - DR RECEPTACLE 205826 - DR RECEPTACLE / CPA ASSEMBLY	2 - STD MATL; FULLY POPULATED 4 - STD MATL; LAST 2 CKTS DEPOPULATED / UNUSABLE	02 - 2 Circuits	1 - KEY A
MATING PARTS	206957 - DR VERTICAL SMT STANDARD PERFORMANCE HEADER 206958 - DR RIGHT ANGLE SMT STANDARD PERFORMANCE HEADER		...	2 - KEY B
			22 - 22 Circuits	3 - KEY C 4 - KEY D

**RECEPTACLE WITH CPA
 08CKT SHOWN:**



INTERFACE	INTERFACE CKT SIZE	DIM A	DIM B	DIM C	KEY	COLOR	RECEPTACLE ONLY		RECEPTACLE WITH CPA		PART STATUS
							PART NUMBER	USABLE CIRCUITS	PART NUMBER	USABLE CIRCUITS	
	4	10.56	7.48	0.20	A	BLACK	2058252041	4	2058264021	2	INQUIRE FOR AVAILABILITY
					B	NATURAL	2058252042	4	2058264022	2	
					C	BLUE	2058252043	4	2058264023	2	
					D	VIOLET	2058252044	4	2058264024	2	
	6	12.36	9.28	1.10	A	BLACK	2058252061	6	2058264041	4	INQUIRE FOR AVAILABILITY
					B	NATURAL	2058252062	6	2058264042	4	
					C	BLUE	2058252063	6	2058264043	4	
					D	VIOLET	2058252064	6	2058264044	4	
	8	14.16	11.08	2.00	A	BLACK	2058252081	8	2058264061	6	INQUIRE FOR AVAILABILITY
					B	NATURAL	2058252082	8	2058264062	6	
					C	BLUE	2058252083	8	2058264063	6	
					D	VIOLET	2058252084	8	2058264064	6	
	10	15.96	12.88	2.90	A	BLACK	2058252101	10	2058264081	8	AVAILABLE
					B	NATURAL	2058252102	10	2058264082	8	
					C	BLUE	2058252103	10	2058264083	8	
					D	VIOLET	2058252104	10	2058264084	8	
	12	17.76	14.68	3.80	A	BLACK	2058252121	12	2058264101	10	INQUIRE FOR AVAILABILITY
					B	NATURAL	2058252122	12	2058264102	10	
					C	BLUE	2058252123	12	2058264103	10	
					D	VIOLET	2058252124	12	2058264104	10	
	14	19.56	16.48	4.70	A	BLACK	2058252141	14	2058264121	12	INQUIRE FOR AVAILABILITY
					B	NATURAL	2058252142	14	2058264122	12	
					C	BLUE	2058252143	14	2058264123	12	
					D	VIOLET	2058252144	14	2058264124	12	
	16	21.36	18.28	5.60	A	BLACK	2058252161	16	2058264141	14	INQUIRE FOR AVAILABILITY
					B	NATURAL	2058252162	16	2058264142	14	
					C	BLUE	2058252163	16	2058264143	14	
					D	VIOLET	2058252164	16	2058264144	14	
	18	23.16	20.08	6.50	A	BLACK	2058252181	18	2058264161	16	INQUIRE FOR AVAILABILITY
					B	NATURAL	2058252182	18	2058264162	16	
					C	BLUE	2058252183	18	2058264163	16	
					D	VIOLET	2058252184	18	2058264164	16	
	20	24.96	21.88	7.40	A	BLACK	2058252201	20	2058264181	18	INQUIRE FOR AVAILABILITY
					B	NATURAL	2058252202	20	2058264182	18	
					C	BLUE	2058252203	20	2058264183	18	
					D	VIOLET	2058252204	20	2058264184	18	
	22	26.76	23.68	8.30	A	BLACK	2058252221	22	2058264201	20	AVAILABLE
					B	NATURAL	2058252222	22	2058264202	20	
					C	BLUE	2058252223	22	2058264203	20	
					D	VIOLET	2058252224	22	2058264204	20	

B2	CHANGED COLOR OF KEY B FROM GREY TO NATURAL IN THE BOM TABLE
B1	ADDED NOTE 1.7; INTERNAL GEOMETRY CHANGES; REMOVED DIM 2
B	RAISED LATCH PAD ADDED; CPA MAX DIMENSIONS ADJUSTED; BALLOON NUMBERS ADDED; NOTES MODIFIED; CPA COLOR CHANGE
A5	NON FUNCTIONAL CHANGES
REV	DESCRIPTION

THIS DRAWING CONTAINS INFORMATION THAT IS PROPRIETARY TO MOLEX ELECTRONIC TECHNOLOGIES, LLC AND SHOULD NOT BE USED WITHOUT WRITTEN PERMISSION

DIMENSION UNITS	SCALE	CURRENT REV DESC:	
mm	5:1		
GENERAL TOLERANCES (UNLESS SPECIFIED)			
ANGULAR TOL	± 5.0°	EC NO: 677008	
4 PLACES	± 0.0005	DRWN: VBALASUBRAMA	2021/09/08
3 PLACES	± 0.005	CHK'D: JDUNAJ	2021/09/08
2 PLACES	± 0.05	APPR: JDUNAJ	2021/09/08
1 PLACE	± 0.1	INITIAL REVISION:	
0 PLACES	± 1.0	DRWN: ECOLARUSSO	2018/01/31
DRAFT WHERE APPLICABLE MUST REMAIN WITHIN DIMENSIONS		APPR: JDUNAJ	2018/03/12
THIRD ANGLE PROJECTION	DRAWING	SERIES	MATERIAL NUMBER
	D-SIZE	205825	2058250002
		CUSTOMER	SEE NOTES
		SHEET NUMBER	GENERAL MARKET
			1 OF 2

INSPECTION BALLOON NUMBER LOG

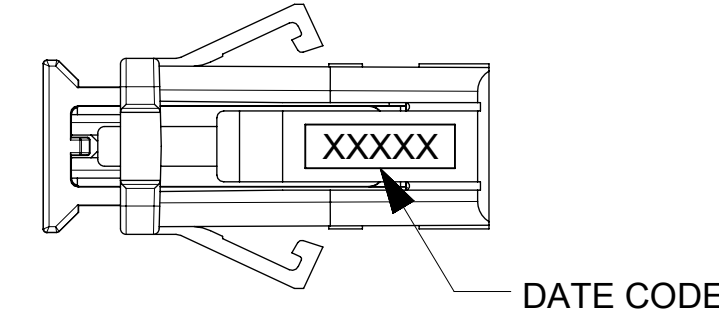
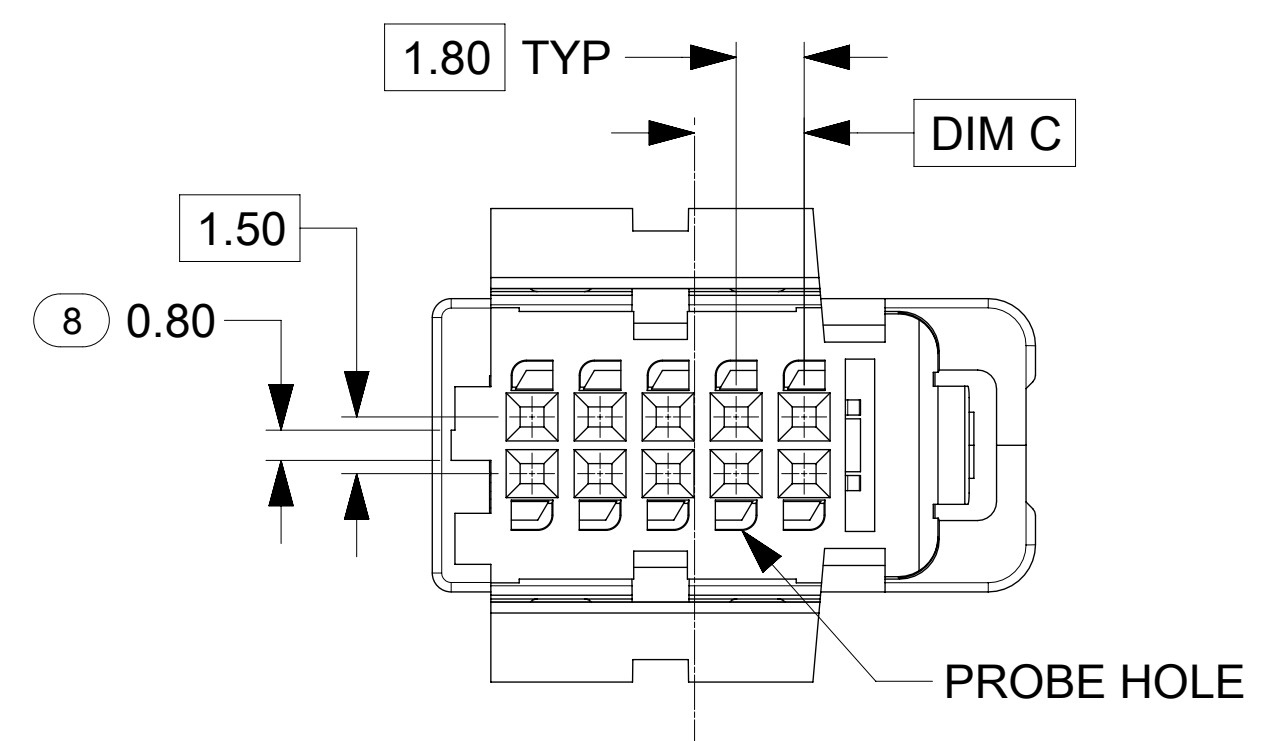
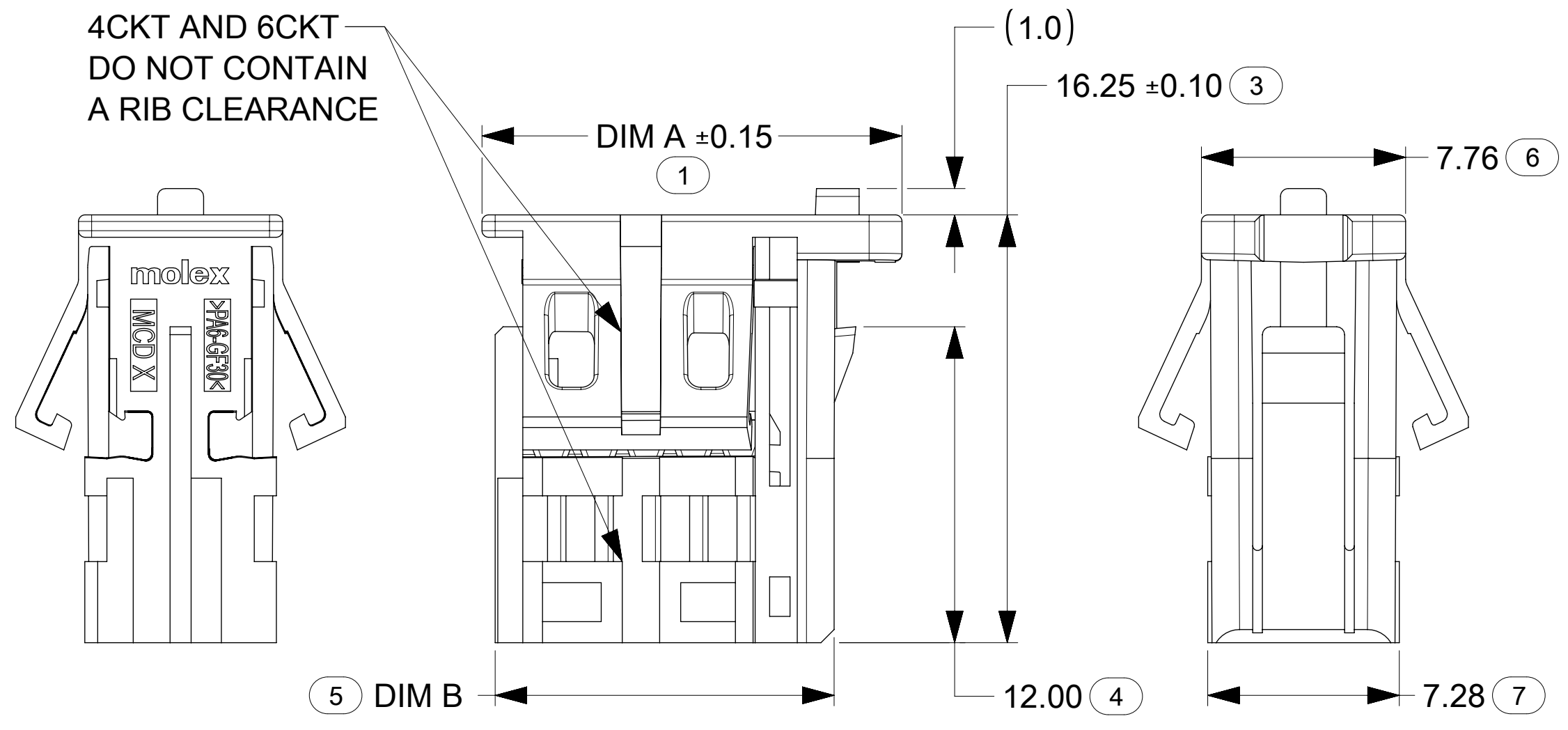
PER DRAWING REVISION: B2

LAST BALLOON USED: 22

ADDED BALLOON NUMBERS:

REMOVED BALLOON NUMBERS: 2

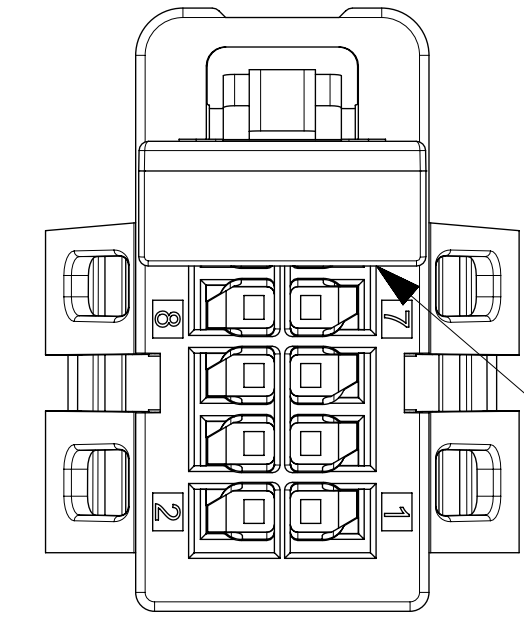
4CKT AND 6CKT
DO NOT CONTAIN
A RIB CLEARANCE



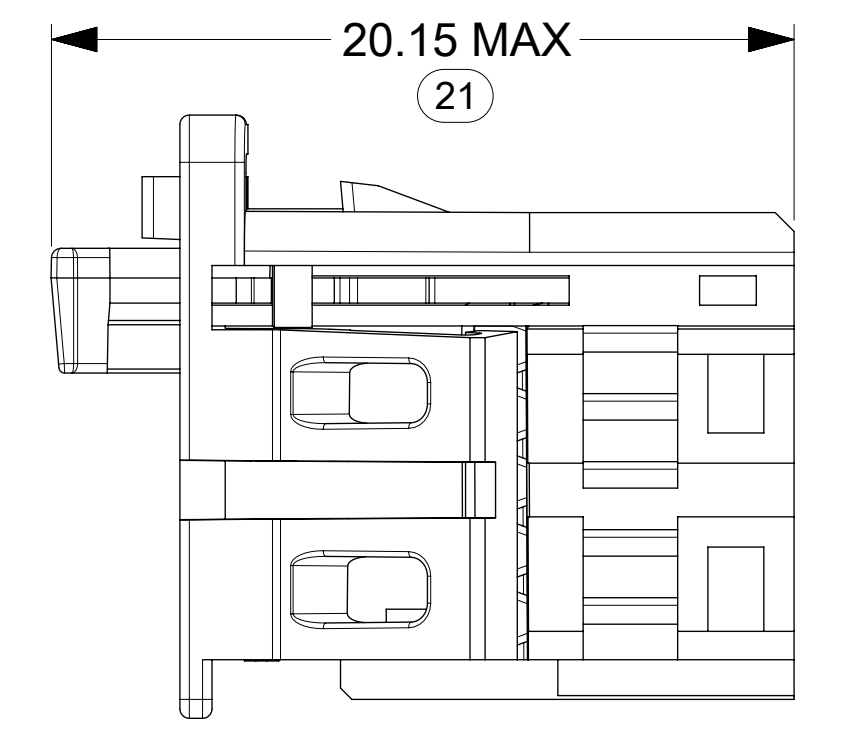
NOTES:

- VALID UNLESS OTHERWISE SPECIFIED
- GENERAL:
 - APPLICATION SPECIFICATION SEE: 2046310000-AS
 - PRODUCT SPECIFICATION SEE: 2046310000-PS
 - PACKAGING SPECIFICATION PER MOLEX DRAWING: PK-31301-695
 - THE MAXIMUM USABLE CIRCUITS WHEN USING THE CPA
 - COMPATIBLE WITH STANDARD AK INTERFACE DRAWING C-114-94000-20 REV A1
 - COMPATIBLE WITH MOLEX AK INTERFACE 2046310002
 - TOLERANCES APPLY IN DRY AS MOLDED STATE ONLY
 - DESIGN - MATERIALS:
 - RECEPTACLE HOUSING:
 - MATERIAL: PA6-GF30%
 - COLOR: SEE PART TABLE
 - CPA
 - MATERIAL: PA6-GF30%
 - COLOR: RED
 - DESIGN - GEOMETRY:
 - GEOMETRIC DIMENSIONS AND TOLERANCES PER ASME Y14.5-2018
 - EDGES AND UNDIMENSIONED DETAILS PER ISO13715
 - CORNERS SHOWN AS SHARP TO BE R 0.2 MAX.
 - MARKED TEXT TO INCLUDE:
 - FOR RECEPTACLE COMPONENT: RECYCLING CODE, CAVITY ID, AND VENDOR IDENTIFICATION.
 - FOR ASSEMBLY ONLY: LASER ETCHED DATE CODE
1ST THROUGH 2ND DIGIT = CALENDAR YEAR
3RD THROUGH 5TH DIGIT = "DAY #" OF YEAR

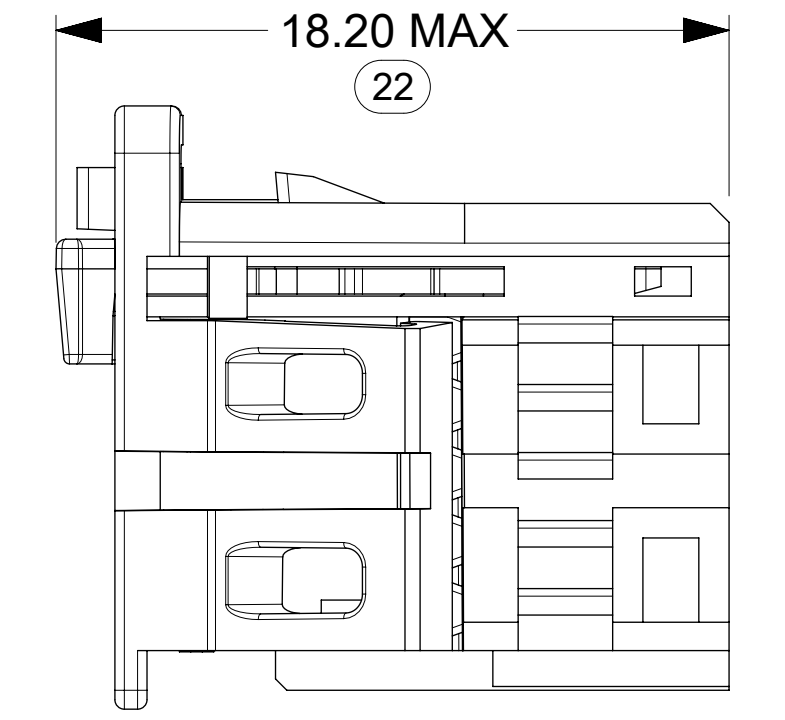
CPA:



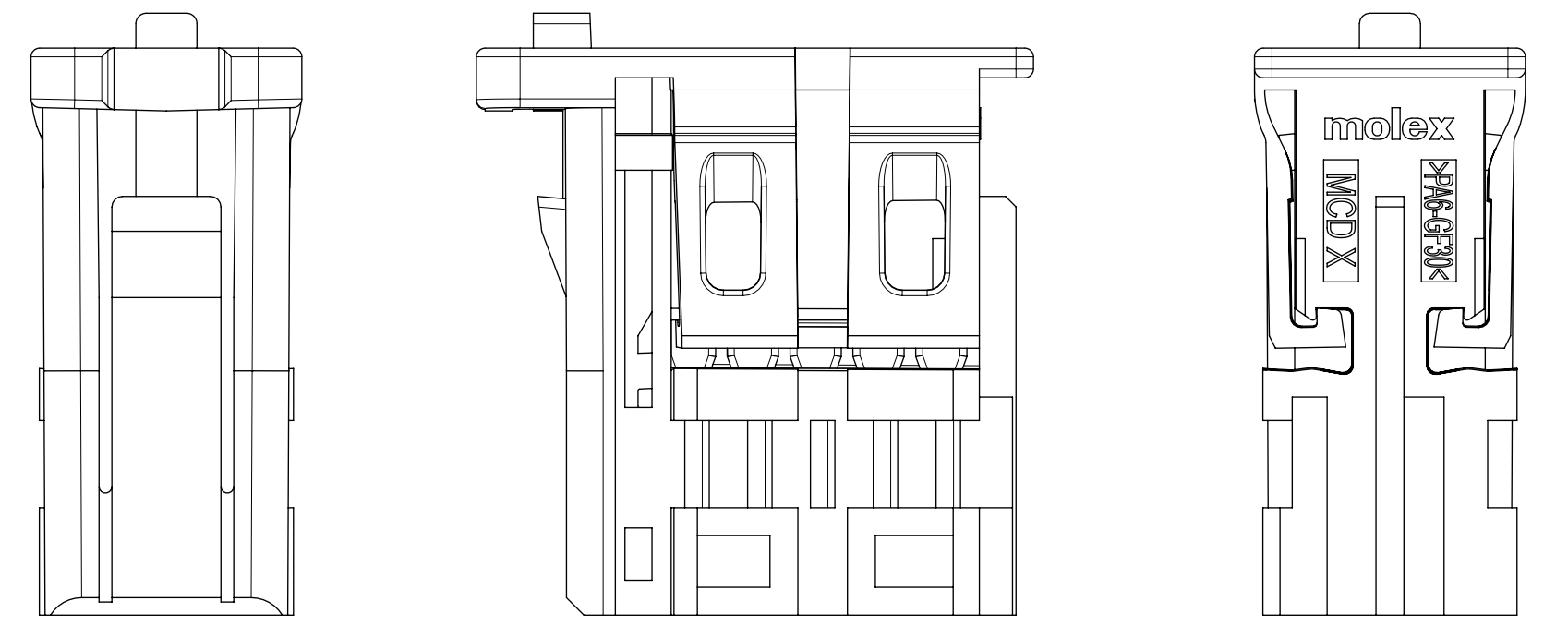
CPA IN PRE-LOCK (AS DELIVERD)



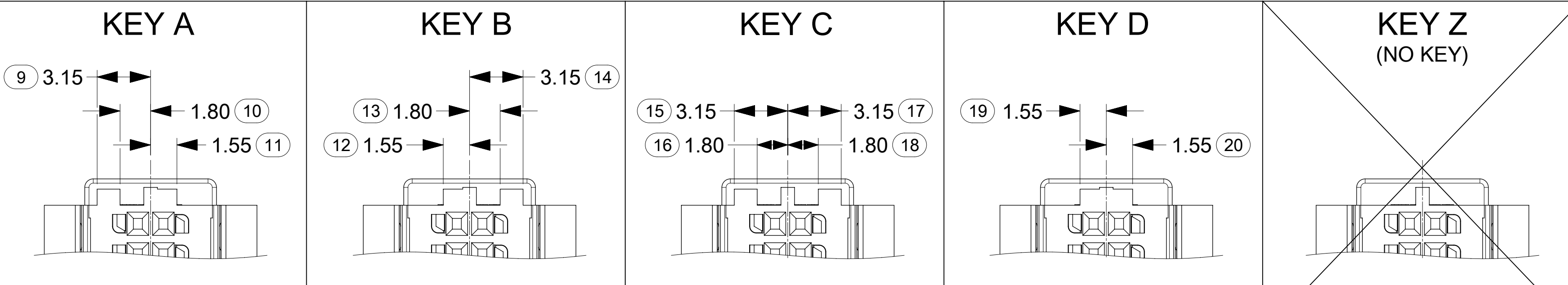
CPA IN FINAL LOCK



ISL IN FINAL LOCK



KEYS / POLARIZATIONS / CODINGS



THIS DRAWING CONTAINS INFORMATION THAT IS PROPRIETARY TO MOLEX ELECTRONIC TECHNOLOGIES, LLC AND SHOULD NOT BE USED WITHOUT WRITTEN PERMISSION									
DIMENSION UNITS		SCALE		CURRENT REV DESC:					
mm		5:1							
GENERAL TOLERANCES (UNLESS SPECIFIED)									
ANGULAR TOL ± 5.0°									
4 PLACES		± 0.0005		EC NO: 677008					
3 PLACES		± 0.005		DRWN: VBALASUBRAMA 2021/09/08					
2 PLACES		± 0.05		CHK'D: JDUNAJ 2021/09/08					
1 PLACE		± 0.1		APPR: JDUNAJ 2021/09/08					
0 PLACES		± 1.0		INITIAL REVISION:					
DRAFT WHERE APPLICABLE MUST REMAIN WITHIN DIMENSIONS		THIRD ANGLE PROJECTION		DRAWING		SERIES		MATERIAL NUMBER	
		D-SIZE		205825		2018/01/31		2018/03/12	
DOCUMENT STATUS		P1		RELEASE DATE		2021/09/08		19:32:31	
18		17		16		15		14	
13		12		11		10		9	
8		7		6		5		4	
3		2		1					



CONNTAK50 DUAL ROW TANG RECEPTACLE & RECEPTACLE/CPA ASSEMBLY

PRODUCT CUSTOMER DRAWING

DOCUMENT NUMBER	DOC TYPE	DOC PART	REVISION
2058250002	PSD	000	B2

MATERIAL NUMBER	CUSTOMER	SHEET NUMBER
SEE NOTES	GENERAL MARKET	2 OF 2