

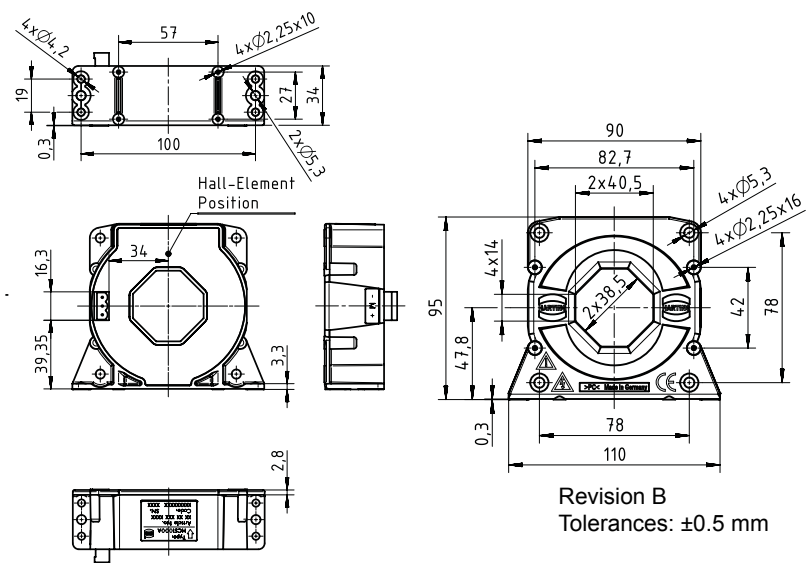


$I_{PN} = 1000 \text{ A}$

Identification Part number Drawing Dimensions in mm

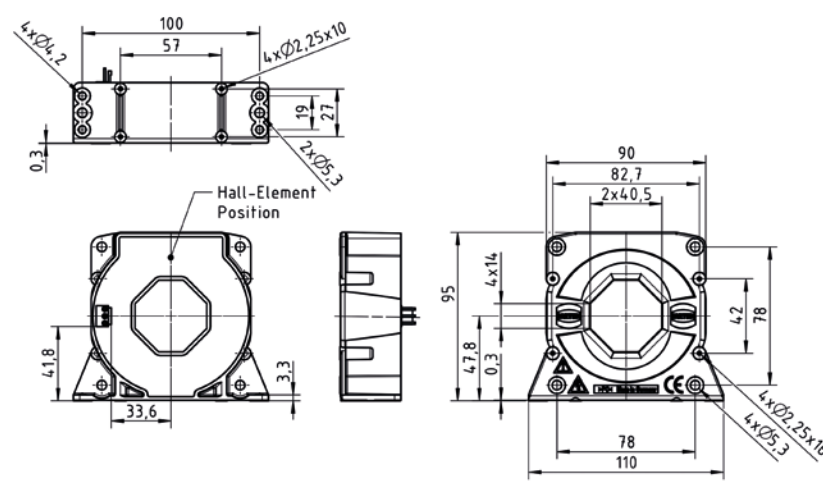
HCM 1000 A
 Connection:
 Metz Type 320
 (PT11503VBBN)
 mating connector included
 (Metz SP04503VBNC)

20 31 100 0101



HCM 1000 A JST
 Connection:
 JST B 3P-VH

20 31 100 0102



**HCM 1000 A with bolts
 with internal screen
 between primary and
 secondary circuit**

20 31 100 9106

