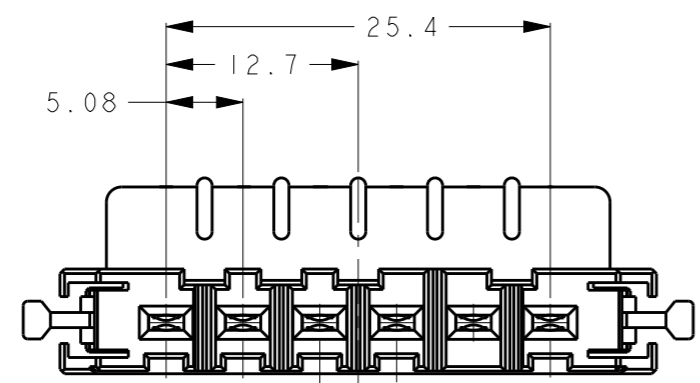
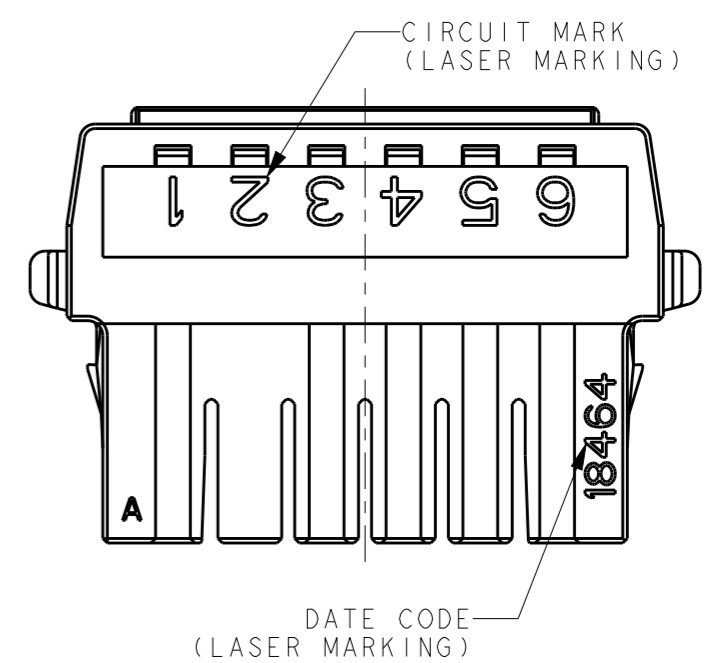
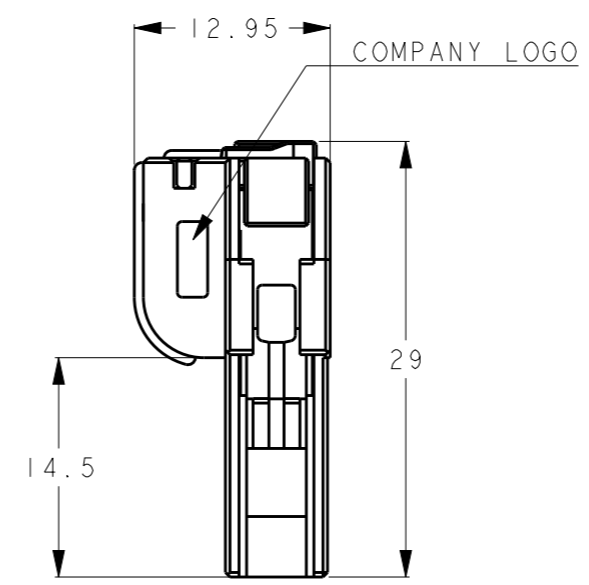
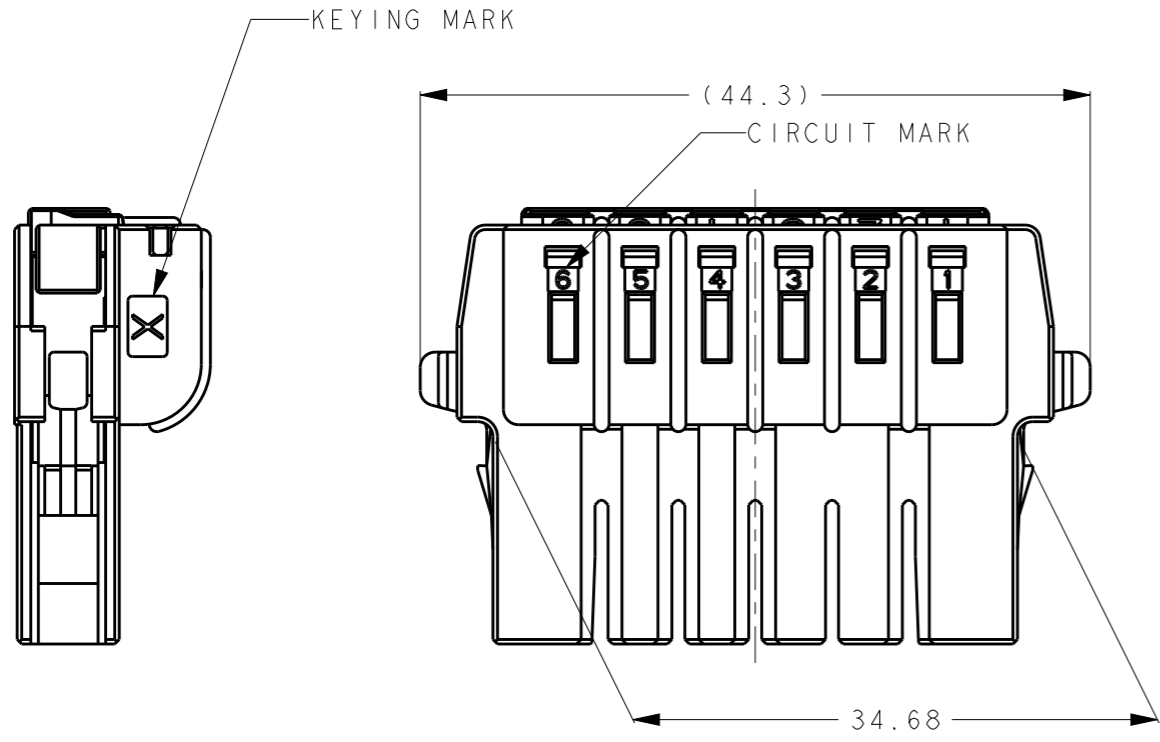
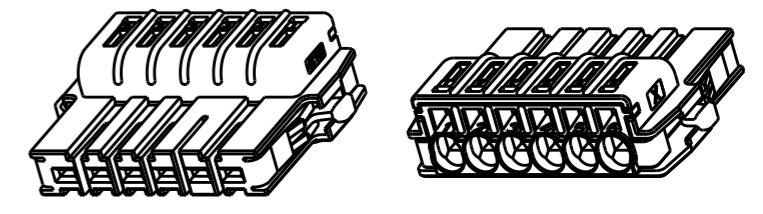
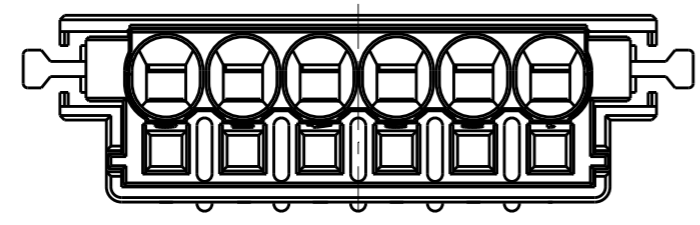


THIS DRAWING IS UNPUBLISHED. RELEASED FOR PUBLICATION 20
 © COPYRIGHT 20 BY - ALL RIGHTS RESERVED.

REVISIONS					
P	LTR	DESCRIPTION	DATE	DWN	APVD
	A	RELEASED	10OCT2019	K.T	E.I



- 1 MATERIAL
 HOUSING: THERMOPLASTIC POLYESTER
 CONTACT: COPPER ALLOY
 SPRING: STAINLESS STEEL
- 2 PLATING
 CONTACT POINT: UNDER Ni PLATING.
 OVER Au PLATING.
 CABLE CLAMPING POINT: UNDER Ni PLATING.
 OVER Tin PLATING
- 3. INSTRUCTION SHEET: 408-78172

X	6	1-2347004-6
X	5	1-2347004-5
KEYING	POSN	PART NUMBER

1-2347004-6 (KEY: X)

THIS DRAWING IS A CONTROLLED DOCUMENT.		DWN K. TERAJIMA 10OCT2019	TE Connectivity	
DIMENSIONS: mm		CHK T. SHIMOYASU 10OCT2019		
TOLERANCES UNLESS OTHERWISE SPECIFIED: ± 0.3		APVD E. IKEMATSU 10OCT2019	NAME D2950 FIELD INSTALLABLE SPRING CLAMP CONNECTOR RECEPTACLE	
0 PLC ± 1 PLC ± 2 PLC ± 3 PLC ± 4 PLC ± ANGLES ±3°		PRODUCT SPEC 108-140221	SIZE A300779	
MATERIAL -		APPLICATION SPEC -	DRAWING NO C-2347004	
FINISH -		WEIGHT -	RESTRICTED TO -	
-		CUSTOMER DRAWING	SCALE 2:1	SHEET 1 OF 2
-			REV A	

THIS DRAWING IS UNPUBLISHED.

RELEASED FOR PUBLICATION

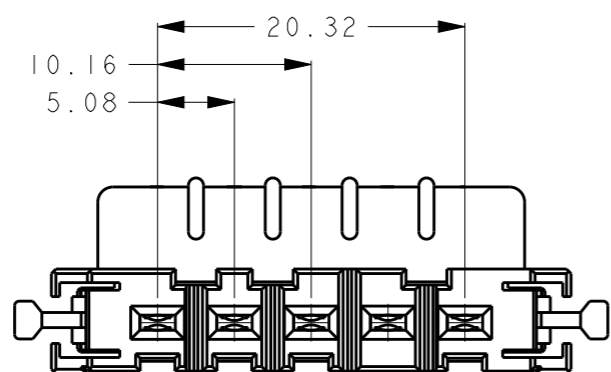
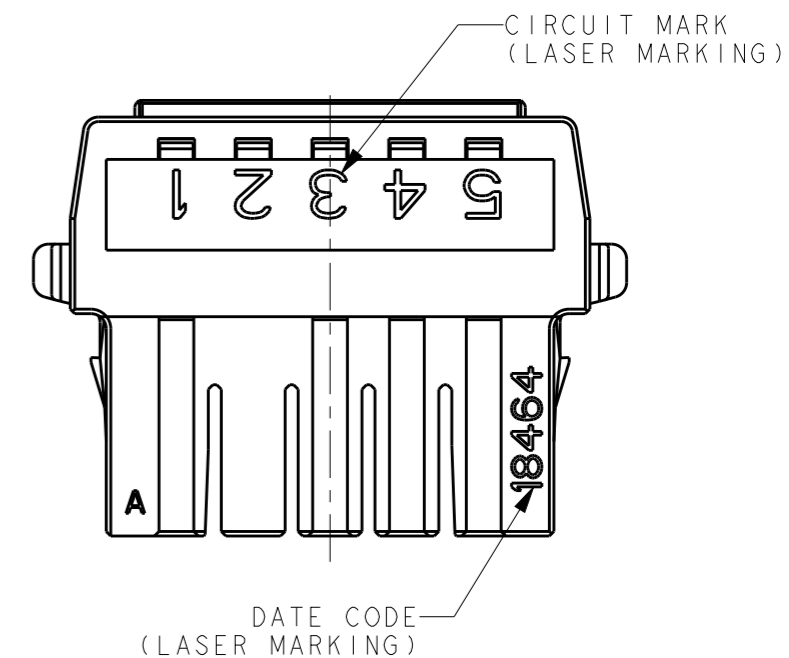
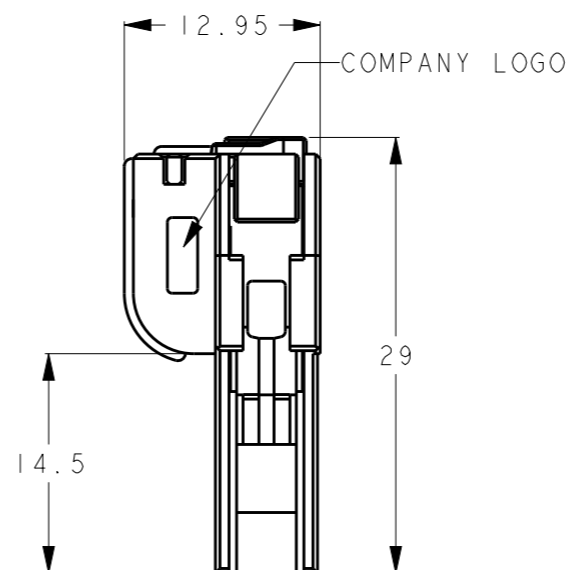
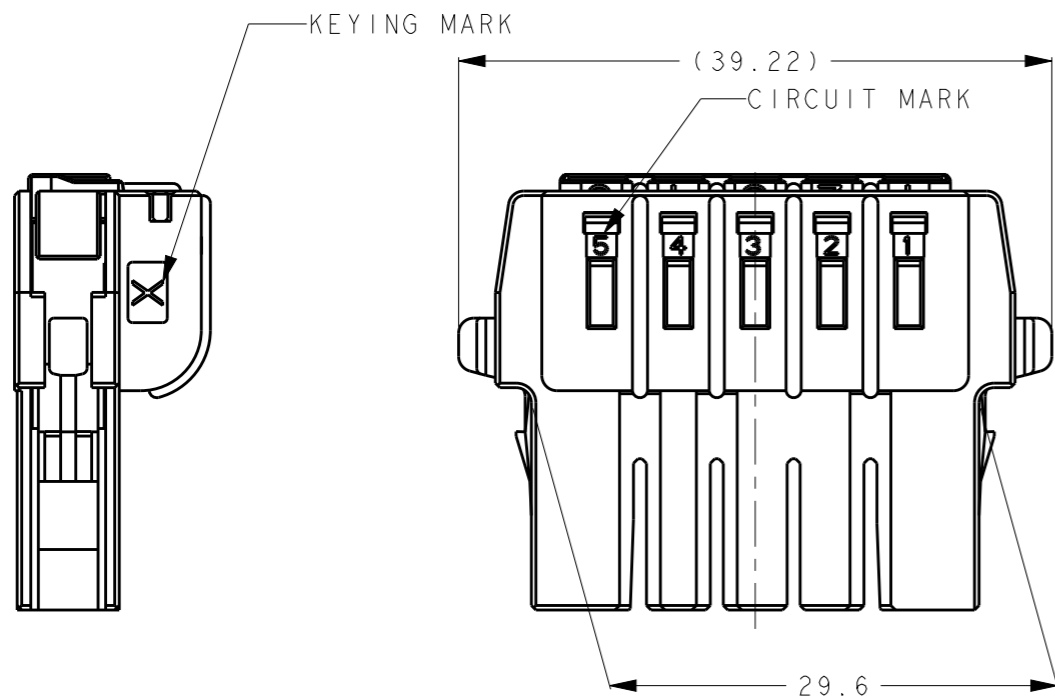
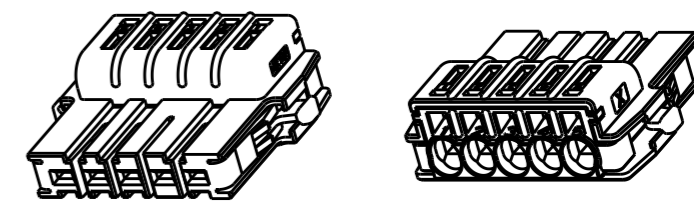
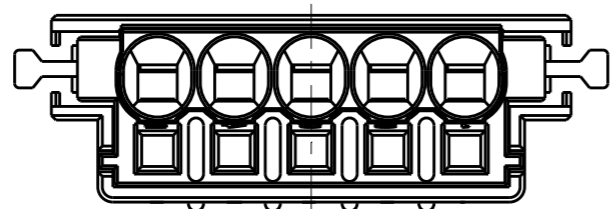
20

© COPYRIGHT 20 BY -


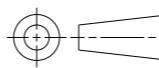
ALL RIGHTS RESERVED.

REVISIONS

P	LTR	DESCRIPTION	DATE	DWN	APVD
		SEE SHEET 1			



1-2347004-5 (KEY: X)

THIS DRAWING IS A CONTROLLED DOCUMENT.		DWN K. TERAJIMA 10OCT2019	 TE Connectivity				
DIMENSIONS: mm		CHK T. SHIMOYASU 10OCT2019			NAME D2950 FIELD INSTALLABLE SPRING CLAMP CONNECTOR RECEPTACLE		
		APVD E. IKEMATSU 10OCT2019					
TOLERANCES UNLESS OTHERWISE SPECIFIED: ± 0.3		PRODUCT SPEC -	SIZE A300779	CAGE CODE C-2347004	DRAWING NO -	RESTRICTED TO -	
MATERIAL -		FINISH -	APPLICATION SPEC -	WEIGHT -	SCALE 2:1	SHEET 2 OF 2	REV A
CUSTOMER DRAWING							