

Type 0AKR

500VDC, DC Fuses

0AKR Series

RoHS Compliant

Description

500VDC rated ceramic tube fuse

Features



- Excellent DC performance
- Full compliance with EU Directive 2011/65/EU and amending directive 2015/863

Applications

EV/HEV Applications



Physical Specifications

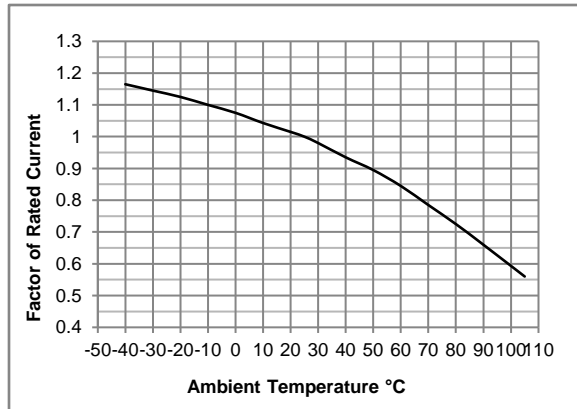
Materials	Body : Ceramic
	Terminals : Tin Plated Copper
Marking	On Fuse :
	"bel", "0AKR"
	"Current Rating", "Voltage Rating"
	On Label :
	"bel", "0AKRX", "Current Rating", "Voltage Rating", "Interrupting Rating", and "  ", "  "(China RoHS compliant).

Ratings

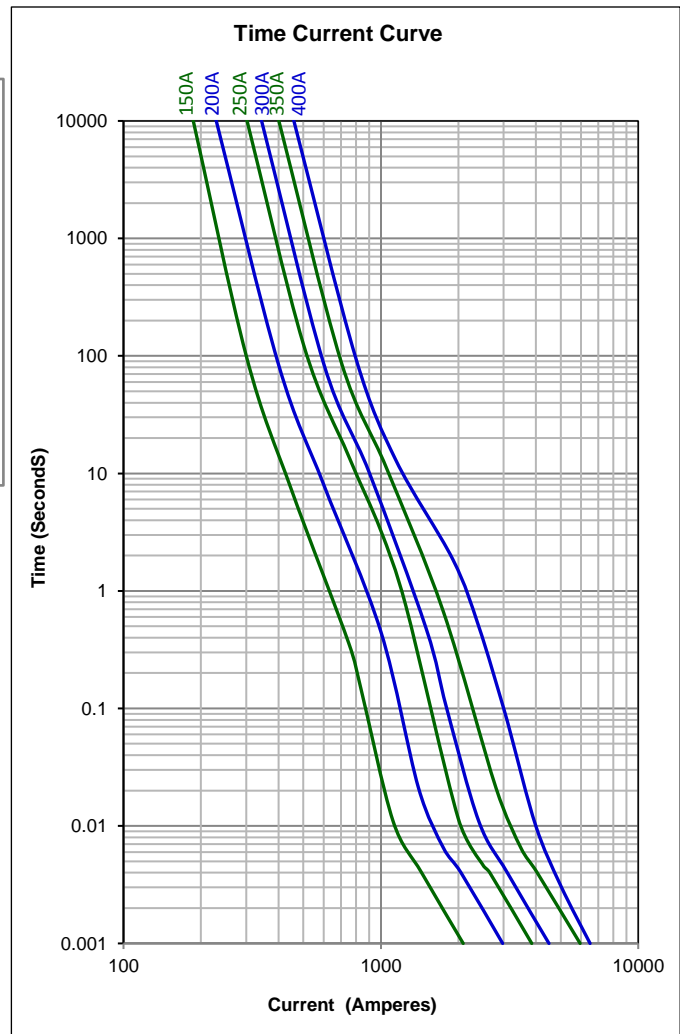
Ampere Rating / Voltage Rating	Ampere Range / Volt @ I.R. ability*
150A-400A / 500V DC	150A-400A / 500V @ 50kA DC L/R: 2+/-0.5ms
*I.R.= Interrupting Rating = Short Circuit Rating(Amps)	

Temperature Derating Curve

Operating Temperature: -40°C to +105°C,
with proper derating factor applied



Average Time Current Curve



Electrical Specifications

Part Number	Rated Current	Voltage and Interrupting Ratings	I ² t (A ² sec)		Power Loss @ 0.5In (W)
			Pre-arcing	Total @ 500Vdc	
0AKRxK150-xx	150A	See Table of Ratings on Page 1 for Voltage and associated Interrupting Ratings	4300	12470	3.55
0AKRxK200-xx	200A		9150	31100	4.75
0AKRxK250-xx	250A		15200	45600	5.5
0AKRxK300-xx	300A		20500	67500	7.1
0AKRxK350-xx	350A		32600	107580	7.85
0AKRxK400-xx	400A		42250	148000	9.8

Consult manufacturer for other ratings
*Temperature Rise : <=50K with 50% of rated current



Specifications subject to change without notice

Bel Fuse Inc.
206 Van Vorst Street
Jersey City, NJ 07302 USA

+1 201.432.0463
Bel.US.CS@belf.com
belfuse.com/circuit-protection

Type 0AKR

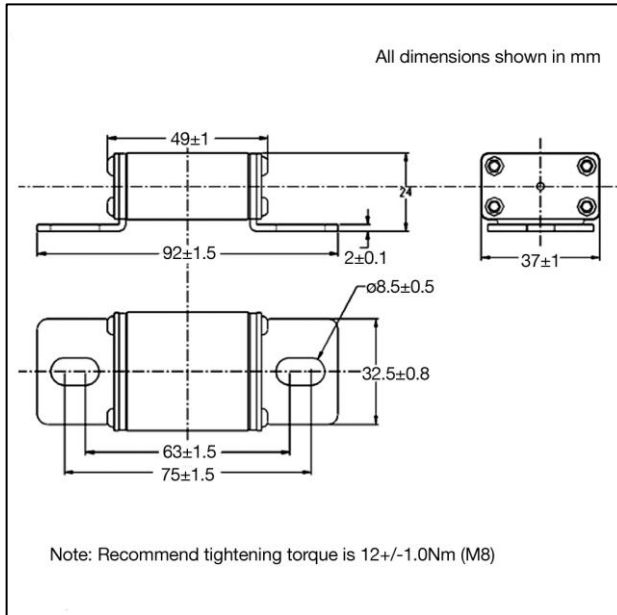
Fuse FGNO Explanation

0AKR X [XXXX] -XX

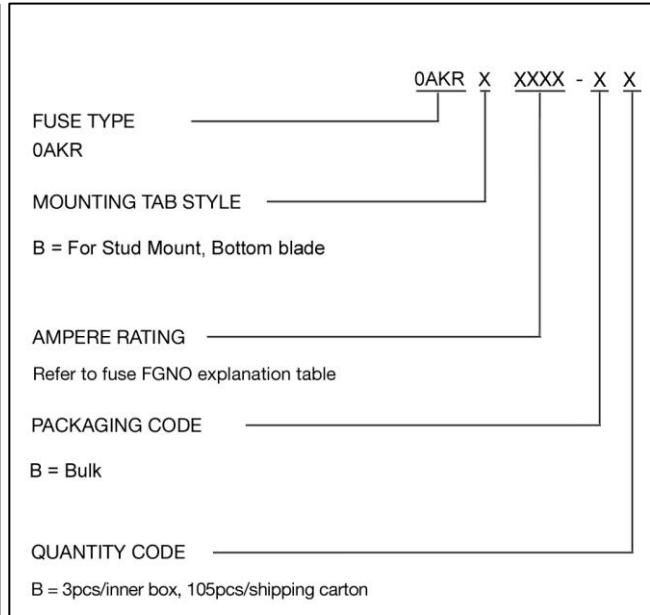
0AKRB=0AKRB; [XXXX]=Ampere Rating; XX=See Ordering Information as below

Amps	Bel FGNO[XXXX]
150A	K150
200A	K200
250A	K250
300A	K300
350A	K350
400A	K400

Mechanical Dimensions



Ordering Information



Packaging

Packaging Option	Quantity	Packaging Code
Bulk	3pcs/inner box, 105pcs/shipping carton	BB