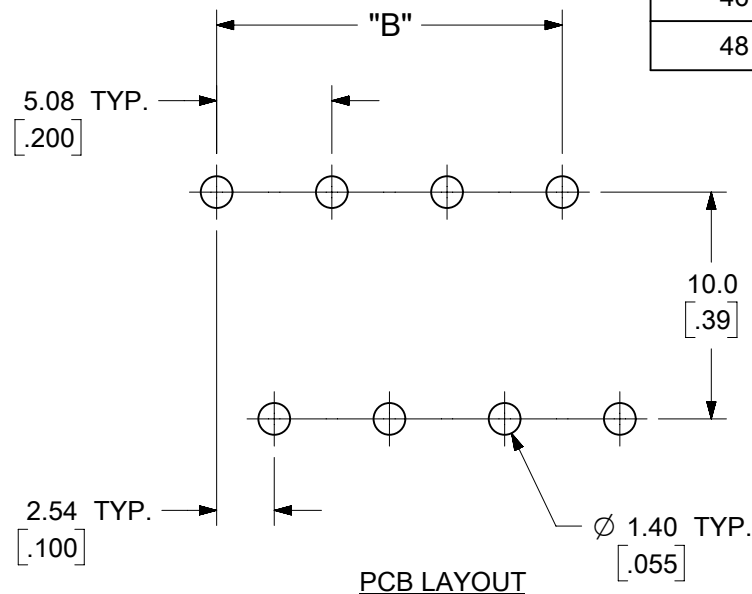


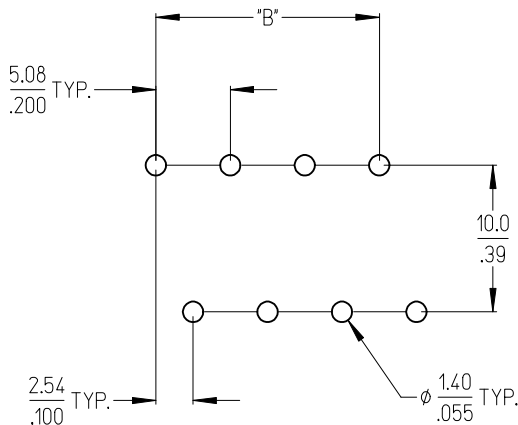
CIRCUIT SIZE	MATERIAL NUMBERS				DIMENSIONAL INFORMATION			
	BLACK		GREEN		DIM. "A"		DIM. "B"	
	100% TIN	30 u" GOLD	100% TIN	30 u" GOLD	mm	inch	mm	inch
4	395380004	395380504	395385004	395385504	10.16	.400	5.08	.200
6	395380006	395380506	395385006	395385506	15.24	.600	10.16	.400
8	395380008	395380508	395385008	395385508	20.32	.800	15.24	.600
10	395380010	395380510	395385010	395385510	25.40	1.000	20.32	.800
12	395380012	395380512	395385012	395385512	30.48	1.200	25.40	1.000
14	395380014	395380514	395385014	395385514	35.56	1.400	30.48	1.200
16	395380016	395380516	395385016	395385516	40.64	1.600	35.56	1.400
18	395380018	395380518	395385018	395385518	45.72	1.800	40.64	1.600
20	395380020	395380520	395385020	395385520	50.80	2.000	45.72	1.800
22	395380022	395380522	395385022	395385522	55.88	2.200	50.80	2.000
24	395380024	395380524	395385024	395385524	60.96	2.400	55.88	2.200
26	395380026	395380526	395385026	395385526	66.04	2.600	60.96	2.400
28	395380028	395380528	395385028	395385528	71.12	2.800	66.04	2.600
30	395380030	395380530	395385030	395385530	76.20	3.000	71.12	2.800
32	395380032	395380532	395385032	395385532	81.28	3.200	76.20	3.000
34	395380034	395380534	395385034	395385534	86.36	3.400	81.28	3.200
36	395380036	395380536	395385036	395385536	91.44	3.600	86.36	3.400
38	395380038	395380538	395385038	395385538	96.52	3.800	91.44	3.600
40	395380040	395380540	395385040	395385540	101.60	4.000	96.52	3.800
42	395380042	395380542	395385042	395385542	106.68	4.200	101.60	4.000
44	395380044	395380544	395385044	395385544	111.76	4.400	106.68	4.200
46	395380046	395380546	395385046	395385546	116.84	4.600	111.76	4.400
48	395380048	395380548	395385048	395385548	121.92	4.800	116.84	4.600



TOLERANCES			
MM	TOL	INCH	TOL
0-6	±0.25	0-.24	±.010
>6-30	±0.40	.24-1.18	±.016
>30-120	±0.50	1.18-4.76	±.020
>120	±0.80	>4.76	±.031

SYMBOLS		THIS DRAWING CONTAINS INFORMATION THAT IS PROPRIETARY TO MOLEX ELECTRONIC TECHNOLOGIES, LLC AND SHOULD NOT BE USED WITHOUT WRITTEN PERMISSION	
▽ = 0	DIMENSION UNITS	SCALE	CURRENT REV DESC: MIGRATION TO ECTR/NX
▽ = 0	MM/INCH	3:1	
▽ = 0	GENERAL TOLERANCES (UNLESS SPECIFIED)		
▽ = 0	4 PLACES ±	MM	INCH
▽ = 0	3 PLACES ±	SEE CHART	SEE CHART
▽ = 0	2 PLACES ±	SEE CHART	SEE CHART
▽ = 0	1 PLACE ±	SEE CHART	SEE CHART
▽ = 0	0 PLACES ±	SEE CHART	SEE CHART
⊠ = 0	ANGULAR TOL ±		
■ = 0	DRAFT WHERE APPLICABLE MUST REMAIN WITHIN DIMENSIONS		
▽ = 0	THIRD ANGLE PROJECTION	DRAWING	SERIES
		B-SIZE	39538
	EC NO: 633714	DRWN: MDHARMANTI	2019/08/07
	CHK'D: DACHAMMER	2020/03/05	
	APPR: JFMURPHY	2020/03/30	
	INITIAL REVISION:		
	DRWN: LROTHAUS	2006/01/09	
	APPR: JPAWLICK	2006/01/10	
	DOCUMENT NUMBER	DOC TYPE	DOC PART
	SD-39538-001	PSD	001
		REVISION	
		B2	
	MATERIAL NUMBER	CUSTOMER	SHEET NUMBER
	SEE TABLE	GENERAL MARKET	2 OF 2

Circuit size	Material Numbers				Dimensional Information			
	Black		Green		Dim A		Dim H	
	100% Tin	30 u" Gold	100% Tin	30 u" Gold	mm	inch	mm	inch
4	395380004	395380504	395385004	395385504	10.16	0.400	5.08	0.200
6	395380006	395380506	395385006	395385506	15.24	0.600	10.16	0.400
8	395380008	395380508	395385008	395385508	20.32	0.800	15.24	0.600
10	395380010	395380510	395385010	395385510	25.40	1.000	20.32	0.800
12	395380012	395380512	395385012	395385512	30.48	1.200	25.40	1.000
14	395380014	395380514	395385014	395385514	35.56	1.400	30.48	1.200
16	395380016	395380516	395385016	395385516	40.64	1.600	35.56	1.400
18	395380018	395380518	395385018	395385518	45.72	1.800	40.64	1.600
20	395380020	395380520	395385020	395385520	50.80	2.000	45.72	1.800
22	395380022	395380522	395385022	395385522	55.88	2.200	50.80	2.000
24	395380024	395380524	395385024	395385524	60.96	2.400	55.88	2.200
26	395380026	395380526	395385026	395385526	66.04	2.600	60.96	2.400
28	395380028	395380528	395385028	395385528	71.12	2.800	66.04	2.600
30	395380030	395380530	395385030	395385530	76.20	3.000	71.12	2.800
32	395380032	395380532	395385032	395385532	81.28	3.200	76.20	3.000
34	395380034	395380534	395385034	395385534	86.36	3.400	81.28	3.200
36	395380036	395380536	395385036	395385536	91.44	3.600	86.36	3.400
38	395380038	395380538	395385038	395385538	96.52	3.800	91.44	3.600
40	395380040	395380540	395385040	395385540	101.60	4.000	96.52	3.800
42	395380042	395380542	395385042	395385542	106.68	4.200	101.60	4.000
44	395380044	395380544	395385044	395385544	111.76	4.400	106.68	4.200
46	395380046	395380546	395385046	395385546	116.84	4.600	111.76	4.400
48	395380048	395380548	395385048	395385548	121.92	4.800	116.84	4.600

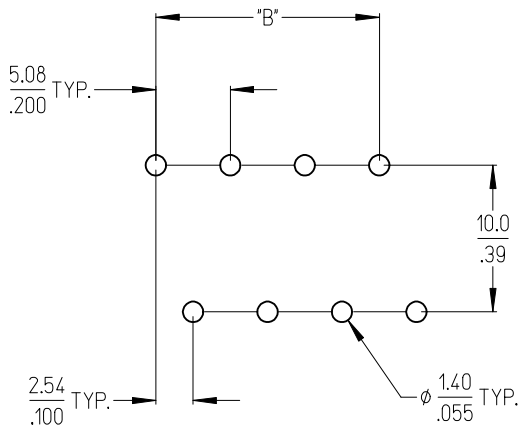


RECOMMENDED PCB LAYOUT

TOLERANCES			
MM	TOL	INCH	TOL
0-6	±0.25	0-.24	±.010
>6-30	±0.40	.24-1.18	±.016
>30-120	±0.50	1.18-4.76	±.020
>120	±0.80	>4.76	±.031

SEE SHEET 1 EC NO: IPG2017-0861 DRAWN: ABENJAMIN W 2017/03/22 CHKD: APPR: BRUPERT 2017/04/18 REV: B1	QUALITY SYMBOLS ▽=0 ▽=0	GENERAL TOLERANCES (UNLESS SPECIFIED) mm INCH 4 PLACES ±--- ±--- 3 PLACES ±--- ±--- 2 PLACES ±--- ±--- 1 PLACE ±--- ±--- ANGULAR ±---°	DIMENSION STYLE MM/IN DRAWN BY DATE LROTHAUS 2005/12/06 CHECKED BY DATE C. YORK 2006/01/05 APPROVED BY DATE J. PAWLICKI 2006/01/10	SCALE DESIGN UNITS INCH THIRD ANGLE PROJECTION
	DRAFT WHERE APPLICABLE MUST REMAIN WITHIN DIMENSIONS		MATERIAL NO. SEE CHART	TITLE 5.08MM, EURO DUAL HEADER HORIZONTAL, OPEN END, STACKABLE MOLEX MOLEX INCORPORATED
			DOCUMENT NO. SD-39538-001	SHEET NO. 2 OF 2
	THIS DRAWING CONTAINS INFORMATION THAT IS PROPRIETARY TO MOLEX INCORPORATED AND SHOULD NOT BE USED WITHOUT WRITTEN PERMISSION			

Circuit size	Material Numbers				Dimensional Information			
	Black		Green		Dim A		Dim H	
	100% Tin	30 u" Gold	100% Tin	30 u" Gold	mm	inch	mm	inch
4	395380004	395380504	395385004	395385504	10.16	0.400	5.08	0.200
6	395380006	395380506	395385006	395385506	15.24	0.600	10.16	0.400
8	395380008	395380508	395385008	395385508	20.32	0.800	15.24	0.600
10	395380010	395380510	395385010	395385510	25.40	1.000	20.32	0.800
12	395380012	395380512	395385012	395385512	30.48	1.200	25.40	1.000
14	395380014	395380514	395385014	395385514	35.56	1.400	30.48	1.200
16	395380016	395380516	395385016	395385516	40.64	1.600	35.56	1.400
18	395380018	395380518	395385018	395385518	45.72	1.800	40.64	1.600
20	395380020	395380520	395385020	395385520	50.80	2.000	45.72	1.800
22	395380022	395380522	395385022	395385522	55.88	2.200	50.80	2.000
24	395380024	395380524	395385024	395385524	60.96	2.400	55.88	2.200
26	395380026	395380526	395385026	395385526	66.04	2.600	60.96	2.400
28	395380028	395380528	395385028	395385528	71.12	2.800	66.04	2.600
30	395380030	395380530	395385030	395385530	76.20	3.000	71.12	2.800
32	395380032	395380532	395385032	395385532	81.28	3.200	76.20	3.000
34	395380034	395380534	395385034	395385534	86.36	3.400	81.28	3.200
36	395380036	395380536	395385036	395385536	91.44	3.600	86.36	3.400
38	395380038	395380538	395385038	395385538	96.52	3.800	91.44	3.600
40	395380040	395380540	395385040	395385540	101.60	4.000	96.52	3.800
42	395380042	395380542	395385042	395385542	106.68	4.200	101.60	4.000
44	395380044	395380544	395385044	395385544	111.76	4.400	106.68	4.200
46	395380046	395380546	395385046	395385546	116.84	4.600	111.76	4.400
48	395380048	395380548	395385048	395385548	121.92	4.800	116.84	4.600



RECOMMENDED PCB LAYOUT

TOLERANCES			
MM	TOL	INCH	TOL
0-6	±0.25	0-.24	±.010
>6-30	±0.40	.24-1.18	±.016
>30-120	±0.50	1.18-4.76	±.020
>120	±0.80	>4.76	±.031

SEE SHEET 1 EC NO: IPG2017-0861 DRAWN: ABENJAMIN W 2017/03/22 CHKD: APPR: BRUPERT 2017/04/18 REV: B1	QUALITY SYMBOLS ▽=0 ▽=0	GENERAL TOLERANCES (UNLESS SPECIFIED) mm INCH 4 PLACES ±--- ±--- 3 PLACES ±--- ±--- 2 PLACES ±--- ±--- 1 PLACE ±--- ±--- ANGULAR ±---°	DIMENSION STYLE MM/IN DRAWN BY DATE LROTHAUS 2005/12/06 CHECKED BY DATE C. YORK 2006/01/05 APPROVED BY DATE J. PAWLICKI 2006/01/10	SCALE DESIGN UNITS INCH THIRD ANGLE PROJECTION	TITLE 5.08MM, EURO DUAL HEADER HORIZONTAL, OPEN END, STACKABLE	MOLEX INCORPORATED
	DRAFT WHERE APPLICABLE MUST REMAIN WITHIN DIMENSIONS		SEE CHART	MATERIAL NO. SD-39538-001	DOCUMENT NO. SD-39538-001	SHEET NO. 2 OF 2
	THIS DRAWING CONTAINS INFORMATION THAT IS PROPRIETARY TO MOLEX INCORPORATED AND SHOULD NOT BE USED WITHOUT WRITTEN PERMISSION					
	INCORPORATED AND SHOULD NOT BE USED WITHOUT WRITTEN PERMISSION					