

4

3

2

1

ZONE	REV.	REVISION DESCRIPTION	ECN NO.	DATE

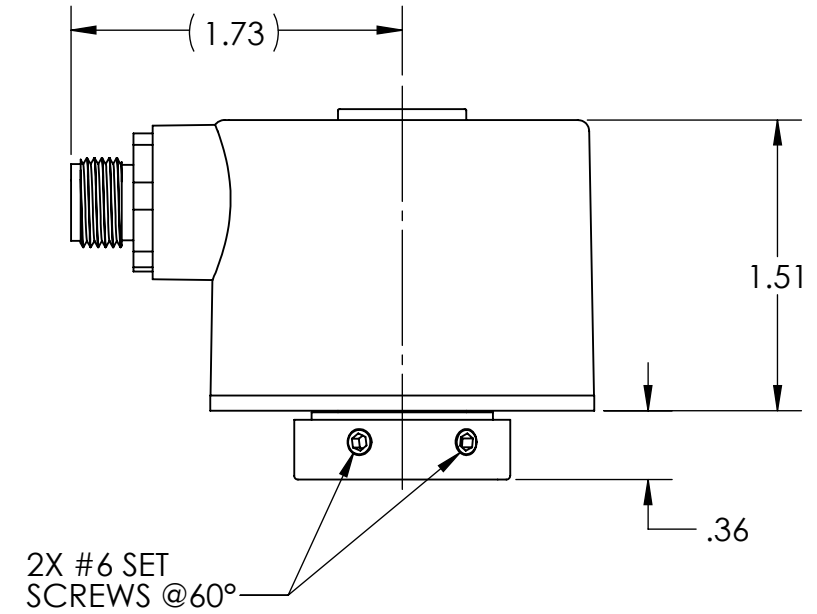
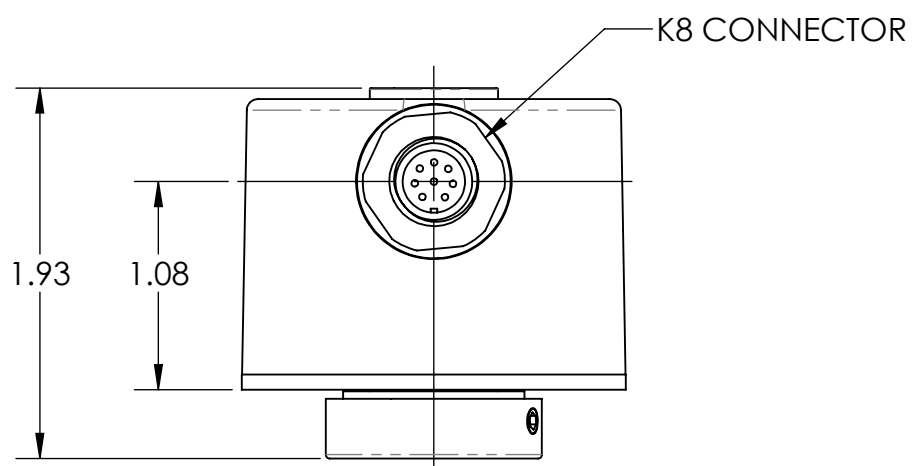
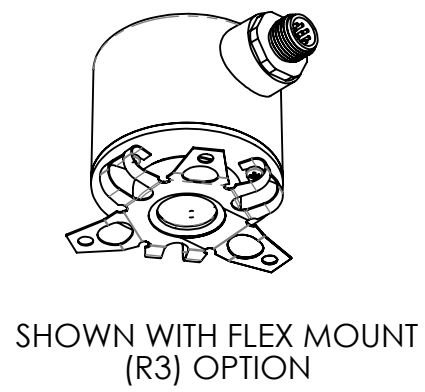
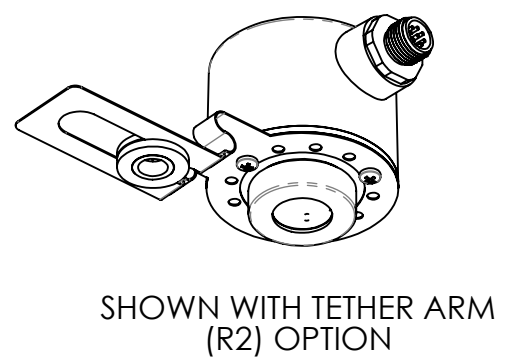
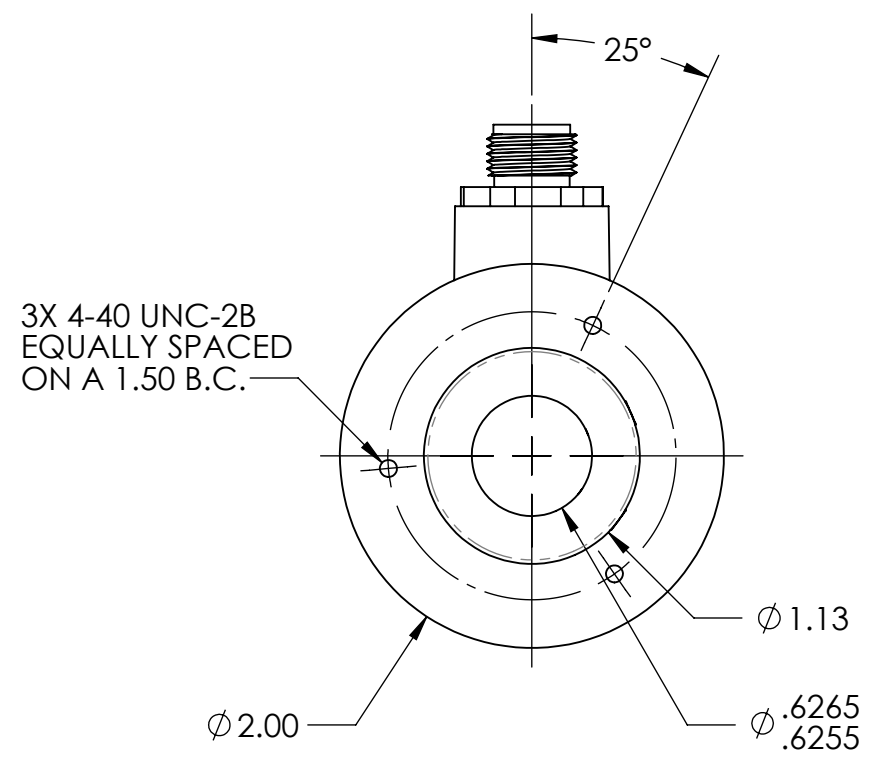


TABLE 1
STANDARD CHANNEL PIN-OUT

PIN	FUNCTION
1	A
4	B
6	Z
2	+V
7	0V
3	A/
5	B/
8	Z/



SAMPLE MODEL NUMBER: HS20-62-R2-SS-1024-ABZC-28/V-K8

SAMPLE PART NUMBER: 01091-XXX

REFERENCE SPEC: 02354-001

UNCONTROLLED COPY

FIRST ISSUE DATE: 04/05/21
 DRAWN: DRC
 APPROVED:
 DATE: 04/09/21
Mat Bazarzi
 ECN:
 DATE:
 MATERIAL:

SENSATA TECHNOLOGIES PROPRIETARY AND CONFIDENTIAL. NEITHER THIS PRINT NOR THE INFORMATION CONTAINED HEREON IS TO BE USED AGAINST THE INTERESTS OF SENSATA TECHNOLOGIES OR AGAINST THE INTERESTS OF ANY OF ITS AFFILIATED COMPANIES OR WHOLLY OWNED SUBSIDIARIES.

INTERPRET DIMENSIONING AND TOLERANCING PER ASME Y14.5-2009. UNLESS OTHERWISE SPECIFIED DIMENSIONS ARE IN INCHES [MILLIMETERS] AND ARE INTENDED AS NOMINAL SEE PRODUCT SPECIFICATIONS FOR MORE DETAILS.

DO NOT SCALE DRAWING
 THIRD ANGLE PROJECTION

BEI SENSORS
1461 LAWRENCE DRIVE
THOUSAND OAKS, CA 93120

TITLE
ENCODER, HS20 THRU SHAFT WITH K8 CONNECTOR

SIZE: B
 DWG NO.: 09927-HS20-K8
 REV.:

SCALE 1:1 SOLIDWORKS SHEET 1 OF 1

4

3

2

1

DEVICE: PROJECT: