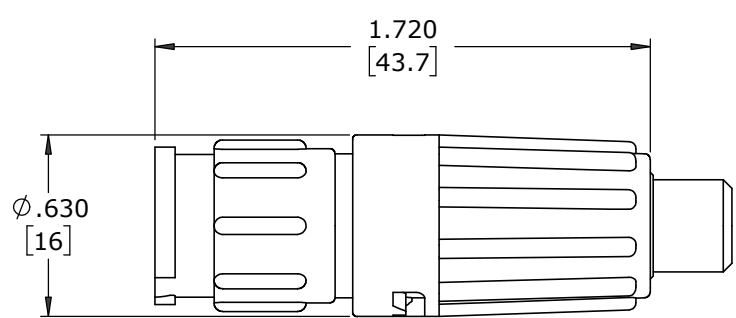
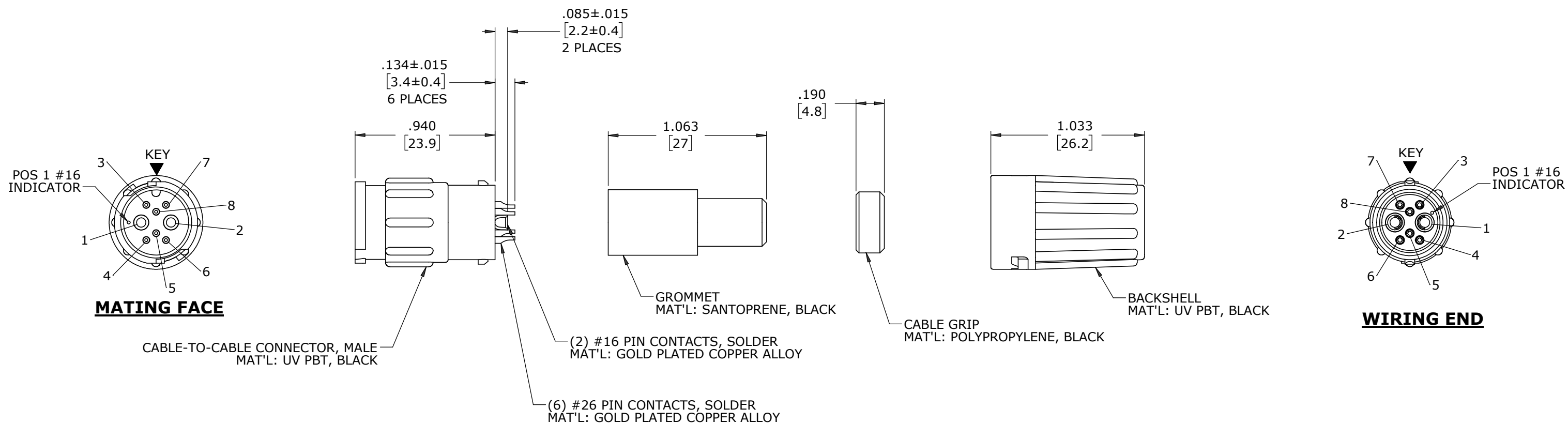


NOTES:

1. ALL PARTS TO BE BULK PACKED
2. CONTACTS ARE ASSEMBLED WITH THE SOLDER CUPS FACING DIRECTLY OUTWARD
3. ALL DIMENSIONS ARE REFERENCE EXCEPT THOSE WITH A TOLERANCE

ASSEMBLY P/N	CONTACT QTY.		CABLE O.D. RANGE
	#16	#26	
W8A82-8PG-P-513	2	6	.13-.15 [3.3-3.8]
W8A82-8PG-P-516			.16-.18 [4.1-4.6]
W8A82-8PG-P-519			.19-.21 [4.8-5.3]
W8A82-8PG-P-522			.22-.25 [5.6-6.]
W8A82-8PG-P-526			.25-.27 [6.4-6.9]
W8A82-8PG-P-528			.26-.285 [6.6-7.2]



SHOWN ASSEMBLED
FOR CUSTOMER REFERENCE ONLY

DIMENSIONS IN BRACKETS [] ARE IN MILLIMETERS

CUSTOMER APPROVAL

THIS DOCUMENT CONTAINS CONFIDENTIAL INFORMATION PROPRIETARY TO CONXALL CORPORATION. ANY REPRODUCTION, DISCLOSURE, OR USE OF THIS DOCUMENT /INFORMATION IS EXPRESSLY PROHIBITED UNLESS AUTHORIZED IN WRITING BY CONXALL CORPORATION.

APPROVED BY: _____
DATE: _____

MA	07-15-20	RELEASED PER PDR 16014-10
PNK	01-18-18	PDR16014
REV.	INIT.	DATE
<small>ALL INFORMATION ILLUSTRATED IS THE PROPERTY OF "CONXALL CORPORATION". UNAUTHORIZED DUPLICATION OR DISTRIBUTION OF THIS DOCUMENT IS PROHIBITED.</small>		ORIG. DRAWN BY: PNK DATE: 01-18-18 CHECKED BY:
<small>ALL UNITS ARE IN FEET, INCHES, FRACTION OF INCHES AND DECIMALS. UNLESS OTHERWISE SPECIFIED TOLERANCES: 3 PLACE DECIMALS ±.010 ANGLES ±1° FRACTIONS ±1/16</small>		APPROVED BY: _____ TITLE: CABLE-TO-CABLE ASSEMBLY 2-16 + 6-26 PIN CONTACTS, SOLDER INSTA-CLICK™ MINI-CON-X POWER/SIGNAL CUSTOMER: STANDARD PRODUCT
SCALE	SIZE	SHEET
NTS	B	1 OF 1
FILE:	DIRECTORY:	PART NUMBER:
W8A82-8PG-P-5XX	SLW	W8A82-8PG-P-5XX
		REV
		A

RoHS COMPLIANT