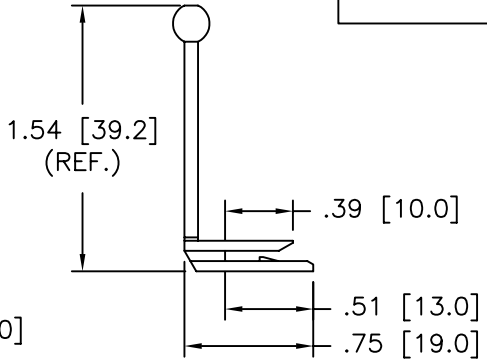
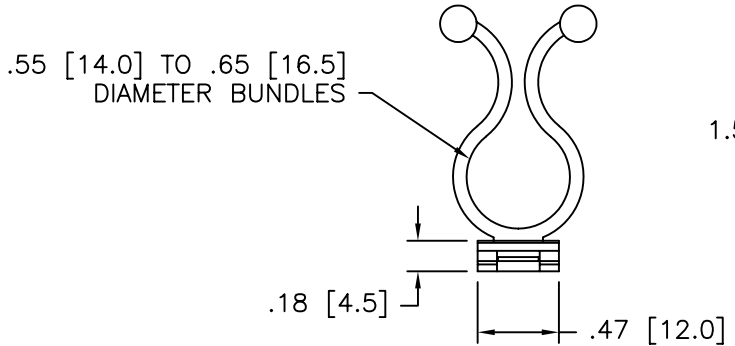
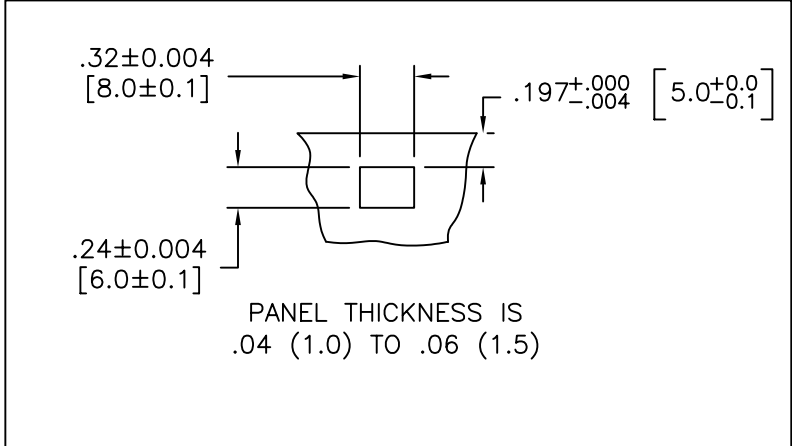


MOUNTING DETAIL



- NOTES:  
 1. MATERIAL: NYLON 66, RMS-01.  
 2. COLOR: NATURAL.

TITLE: STANDOFF TWIST LOCK-SADDLE MOUNT			DWG IN IN (MM)		FINAL		
TOLERANCES UNLESS NOTED .XX=±.010 .XXX=±.005 FRAC=±1/64 ANG=±1°			FILE # STL-SME	DWN: J.L.	APP:	PART #	PRINT TYPE
MAT'L: SEE NOTES			RE: RICHCO, INC.	DT: 8.3.98	DT:	STL-SME-1-600-01	CA
B CORRECTED DIMENSIONS	SJ 03.05.02	RICHCO INC. PO BOX 804238, CHICAGO, 60680 (773) 539-4060					
A CHANGED FILE NUMBER	SM 05.31.01						
REV DESCRIPTION	ENGR DATE						