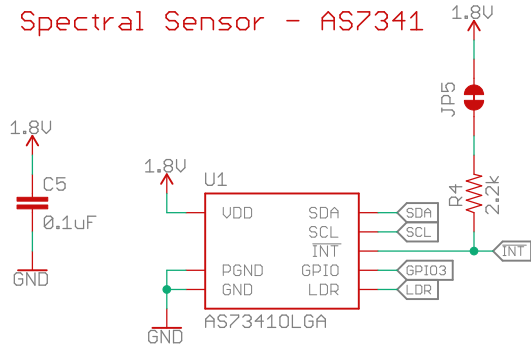
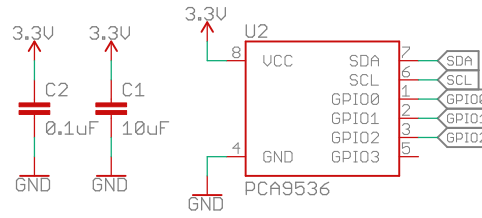


Spectral Sensor - AS7341



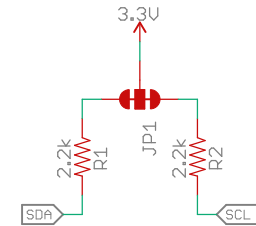
Default I2C Address: 0x39

4-bit GPIO

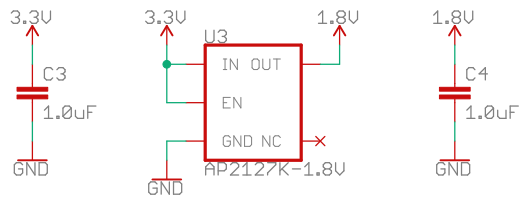


Default I2C Address: 0x41

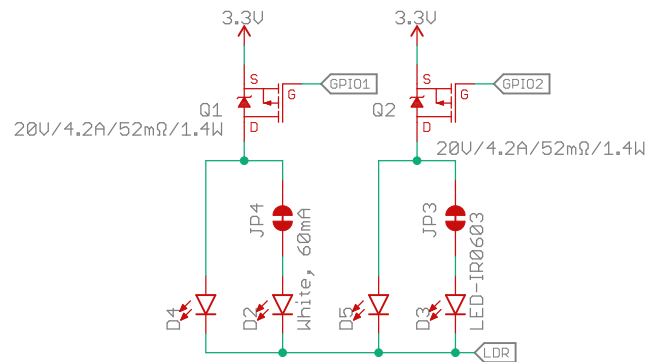
I2C pullup resistors



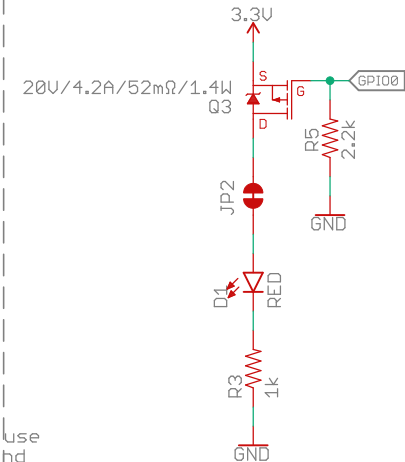
Voltage Regulator



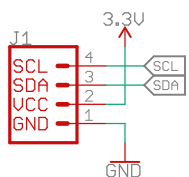
LEDs



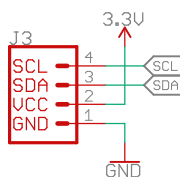
Power LED



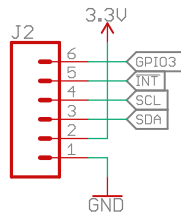
Connectors



QWIIIC_RIGHT_ANGLE



QWIIIC_RIGHT_ANGLE



Cut jumpers 3 and 4 to use specialized LED bulbs and solder them to through-hole footprints of D4 and/or D5.



Released under the Creative Commons Attribution Share-Alike 4.0 License
<https://creativecommons.org/licenses/by-sa/4.0/>

TITLE: Qwiic_Spectral_Sensor_AS7341

Design by: Priyanka Makin

REV: x01

Date: 1/19/2021 3:38 PM

Sheet: 1/1

