

## Features

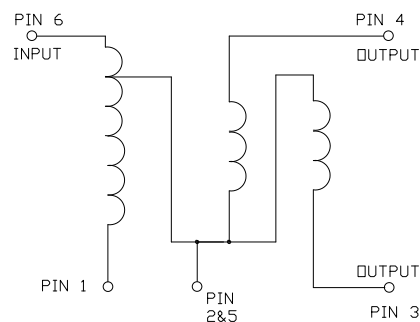
- Surface Mount
- 2-Way 0°
- RoHS Compliant and 260° Reflow Compatible
- Available on tape and reel
- Pb Free

## Description

The MAPD-009918-C209C0 is a 2-way 0 degree RF power divider in a low cost surface mount package. Ideally suited for CATV/VSAT applications.



## Functional Schematic



## Ordering Information

| Part Number        | Package             |
|--------------------|---------------------|
| MAPD-009918-C209C0 | 2000 piece reel     |
| MAPD-009918-C209TB | customer test board |

## Pin Configuration

| Pin No. | Function                  |
|---------|---------------------------|
| 1       | Ground                    |
| 2, 5    | External 0.5 pF Capacitor |
| 3       | Output Port 2             |
| 4       | Output Port 1             |
| 6       | Input                     |

## Electrical Specifications: $T_A = 25^\circ\text{C}$ , $Z_0 = 75 \Omega$ , $P_{in} = 0 \text{ dBm}$

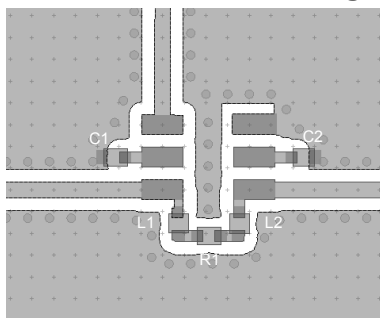
| Parameter                   | Test Conditions | Units | Min. | Typ. | Max. |
|-----------------------------|-----------------|-------|------|------|------|
| Insertion Loss (Above 3 dB) | 5 - 50 MHz      | dB    | —    | 0.53 | 0.7  |
|                             | 50 - 500 MHz    |       |      | 0.57 | 0.8  |
|                             | 500 - 1000 MHz  |       |      | 0.72 | 1.0  |
| Amplitude Balance           | 5 - 1000 MHz    | dB    | —    | 0.3  | 0.6  |
| Phase Balance               | 5 - 1000 MHz    | deg.  | —    | 0.9  | 4.0  |
| Input Return Loss           | 5 - 1000 MHz    | dB    | 20   | 29   | —    |
| Output Return Loss          | 5 - 50 MHz      | dB    | 18   | 23   | —    |
|                             | 50 - 1000 MHz   |       | 20   | 29   |      |
| Isolation (between outputs) | 5 - 50 MHz      | dB    | 26   | 40   | —    |
|                             | 50 - 1000 MHz   |       | 30   | 38   |      |

MACOM Technology Solutions Inc. (MACOM) and its affiliates reserve the right to make changes to the product(s) or information contained herein without notice. Visit [www.macom.com](http://www.macom.com) for additional data sheets and product information.

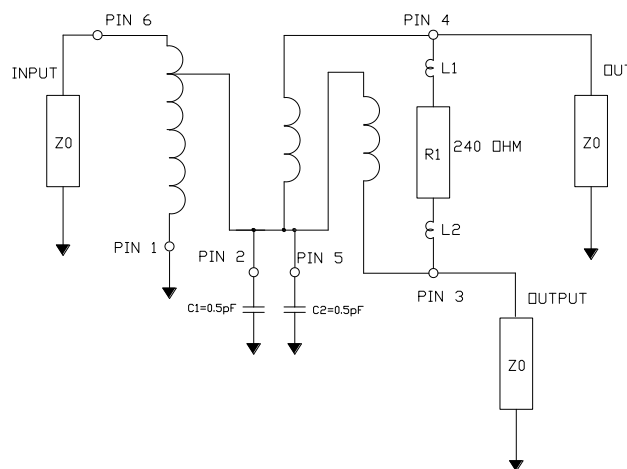
## Recommended Maximum Ratings

| Parameter                 | Absolute Maximum |
|---------------------------|------------------|
| Input Power               | 1 W              |
| Internal Load Dissipation | 125 mW           |
| Operating Temperature     | -40°C to +85°C   |

## Recommended PCB Configuration



## Application Circuit

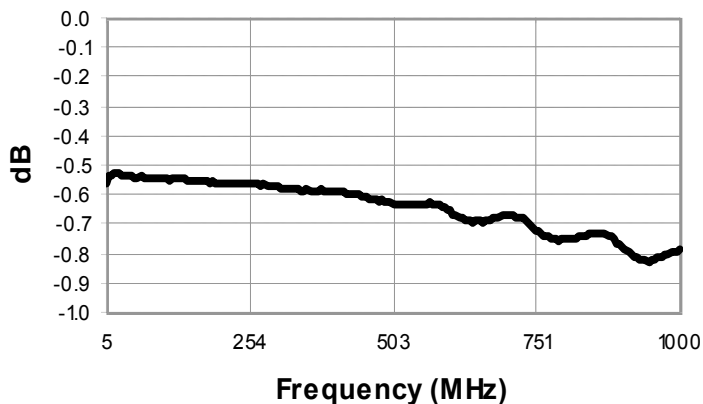


## Parts List

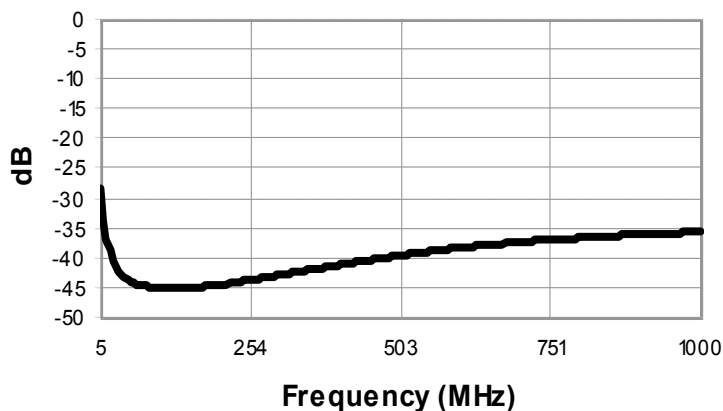
| Part   | Value  | Case Style | Vendor    |
|--------|--------|------------|-----------|
| R1     | 240 Ω  | 0402       | ROHM      |
| L1, L2 | 8.2 nH | 0402       | COILCRAFT |
| C1, C2 | 0.5 pF | 0402       | MURATA    |

## Typical Performance Curves

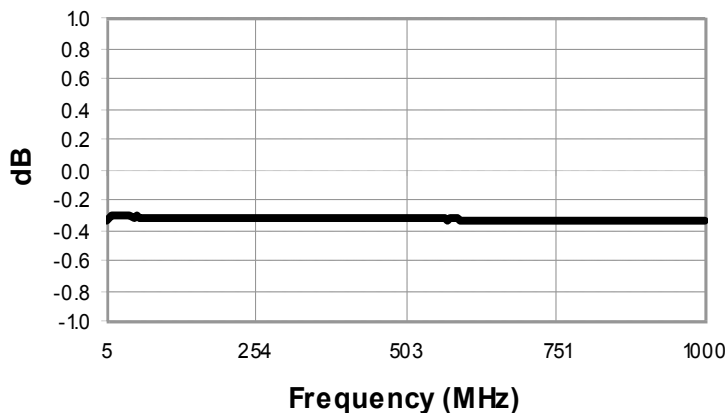
**Insertion Loss:**



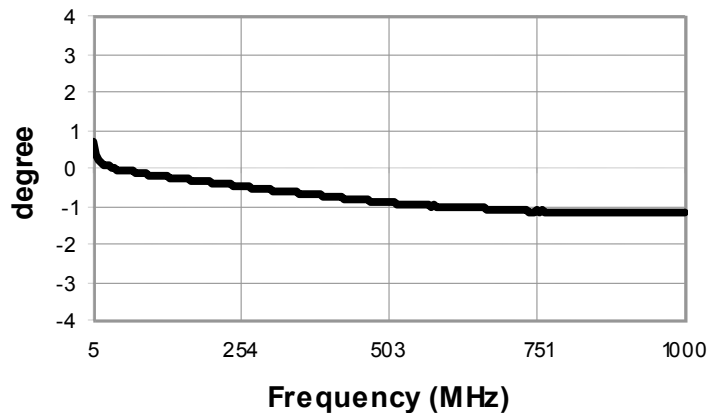
**Isolation:**



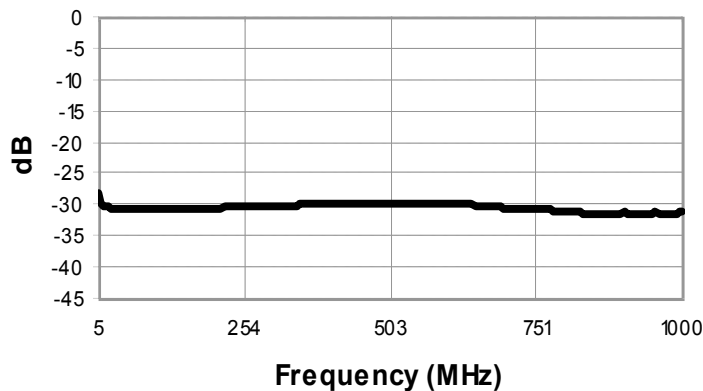
**Amplitude Balance:**



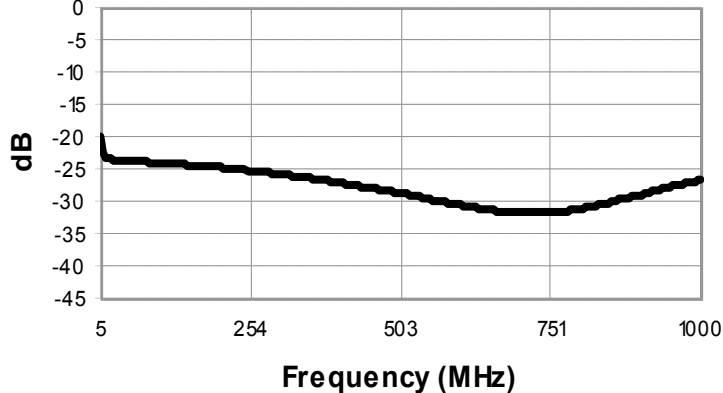
**Phase Balance:**



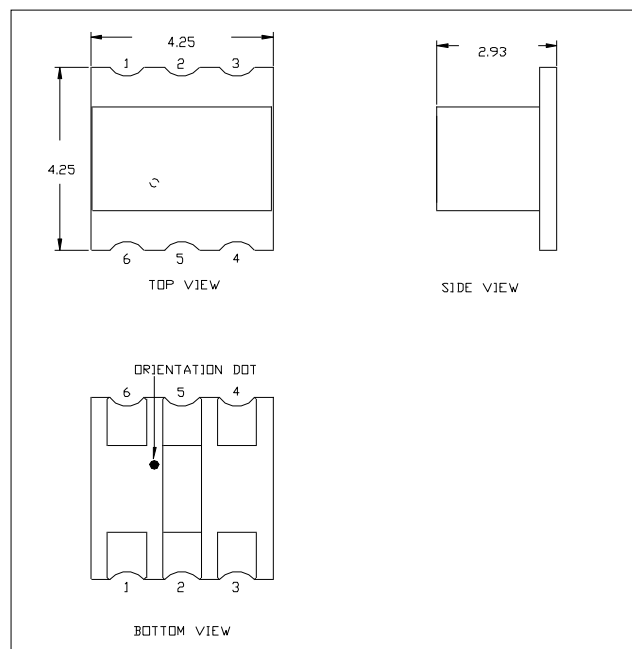
**Return Loss: Input**



**Return Loss: Output**

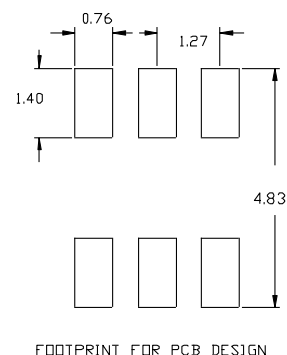


## Outline Drawing<sup>1,2,3,4</sup>



1. Dimensions in mm.
2. Tolerance:  $\pm 0.2$  mm unless otherwise noted.
3. Model number and lot code are printed on the reel.
4. Lead plating: ENIG.

## PCB Layout



## Tape & Reel Information

| Parameter  | Units | Value |
|--|-------|-------|
| Qty per reel                                       | -     | 2000  |
| Reel Size  | mm    | 330   |
| Tape Width   | mm    | 12.00 |
| Pitch  | mm    | 8.00  |
| Ao   | mm    | 4.55  |
| Bo   | mm    | 4.75  |
| Ko   | mm    | 3.10  |
| Orientation  | -     | F31   |
| Reference Application Note ANI-019 for orientation |       |       |

MACOM Technology Solutions Inc. All rights reserved.

Information in this document is provided in connection with MACOM Technology Solutions Inc ("MACOM") products. These materials are provided by MACOM as a service to its customers and may be used for informational purposes only. Except as provided in MACOM's Terms and Conditions of Sale for such products or in any separate agreement related to this document, MACOM assumes no liability whatsoever. MACOM assumes no responsibility for errors or omissions in these materials. MACOM may make changes to specifications and product descriptions at any time, without notice. MACOM makes no commitment to update the information and shall have no responsibility whatsoever for conflicts or incompatibilities arising from future changes to its specifications and product descriptions. No license, express or implied, by estoppel or otherwise, to any intellectual property rights is granted by this document.

THESE MATERIALS ARE PROVIDED "AS IS" WITHOUT WARRANTY OF ANY KIND, EITHER EXPRESS OR IMPLIED, RELATING TO SALE AND/OR USE OF MACOM PRODUCTS INCLUDING LIABILITY OR WARRANTIES RELATING TO FITNESS FOR A PARTICULAR PURPOSE, CONSEQUENTIAL OR INCIDENTAL DAMAGES, MERCHANTABILITY, OR INFRINGEMENT OF ANY PATENT, COPYRIGHT OR OTHER INTELLECTUAL PROPERTY RIGHT. MACOM FURTHER DOES NOT WARRANT THE ACCURACY OR COMPLETENESS OF THE INFORMATION, TEXT, GRAPHICS OR OTHER ITEMS CONTAINED WITHIN THESE MATERIALS. MACOM SHALL NOT BE LIABLE FOR ANY SPECIAL, INDIRECT, INCIDENTAL, OR CONSEQUENTIAL DAMAGES, INCLUDING WITHOUT LIMITATION, LOST REVENUES OR LOST PROFITS, WHICH MAY RESULT FROM THE USE OF THESE MATERIALS.

MACOM products are not intended for use in medical, lifesaving or life sustaining applications. MACOM customers using or selling MACOM products for use in such applications do so at their own risk and agree to fully indemnify MACOM for any damages resulting from such improper use or sale.