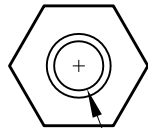
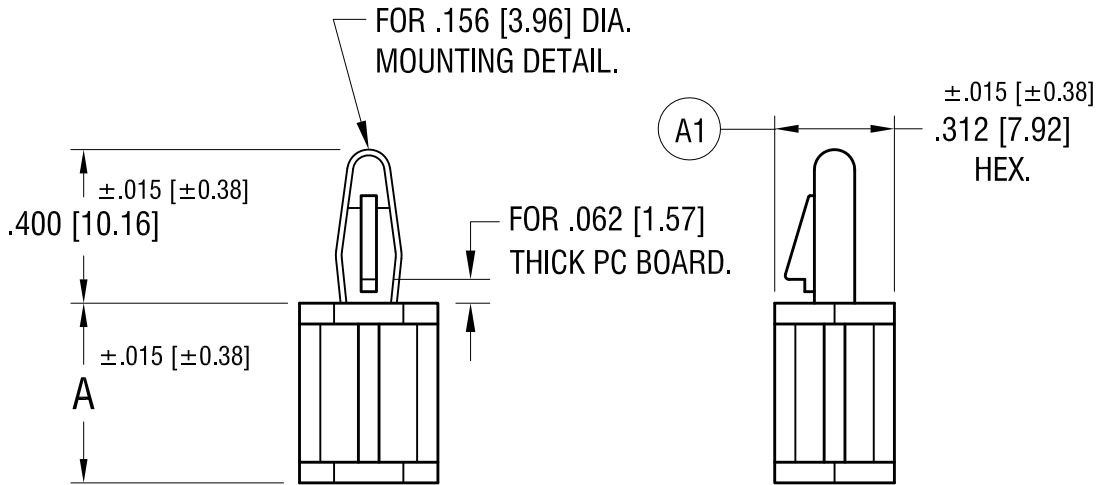


THIS DOCUMENT IS THE PROPERTY OF
KEYSTONE ELECTRONICS CORP. AND
SHALL NOT BE REPRODUCED, DISTRIBUTED
OR USED AS A BASIS FOR MANUFACTURE
WITHOUT PRIOR WRITTEN PERMISSION
FROM KEYSTONE ELECTRONICS CORP.

ACTUAL SIZE P/N 9044



FOR NO. 6 SELF-TAPPING SCREW (TYPE B)

PART NO.	'A' DIM.
9041	.250 [6.35]
9042	.375 [9.52]
9043	.500 [12.70]
9044	.625 [15.87]
9045	.750 [19.05]
9046	.875 [22.22]
9047	1.000 [25.40]

KEYSTONE ELECTRONICS CORP.

www.keyelco.com • NEW HYDE PARK, NY 11040 • Tel (516) 328-7500

PART NAME				FEMALE SUPPORT			
MATERIAL				NYLON 94V-0, NATURAL COLOR			
FINISH		DRN BY		DATE		SCALE	
NONE		NT		8.29.06		2X	
TOLERANCES		INCH		[MM]		CODE	
DECIMAL		± .005		[± 0.13]		C	
ANGULAR		± 1°		UNLESS OTHERWISE SPECIFIED		DWG NO.	
						9041 -9047	

10.25.19	ECR 19-081, A1 WAS .312±.005	A
DATE	DESCRIPTION	REV.