

LED CHARACTERISTICS	COLOR	MIN.	TYP.	MAX.	UNITS	TEST CONDITIONS
LUMINOUS INTENSITY	YELLOW	4.5	—	18	mcd	$I_F = 2 \text{ mA}$
	GREEN	2.8	—	11.2		
FORWARD VOLTAGE	YELLOW		1.8	2.2	V	$I_F = 2 \text{ mA}$
	GREEN		1.8	2.2		
REVERSE CURRENT	YELLOW		.01	10	$\mu\text{A}$	$V_R = 5 \text{ V}$
	GREEN		.01	10		
PEAK WAVELENGTH	YELLOW		591		nm	
	GREEN		572			
DOMINANT WAVELENGTH	YELLOW	580	587	595	nm	
	GREEN	566	570	575		
VIEWING ANGLE ( $2\theta_{1/2}$ )	YELLOW		120		DEG.	$I_F = 2 \text{ mA}$
	GREEN		120			

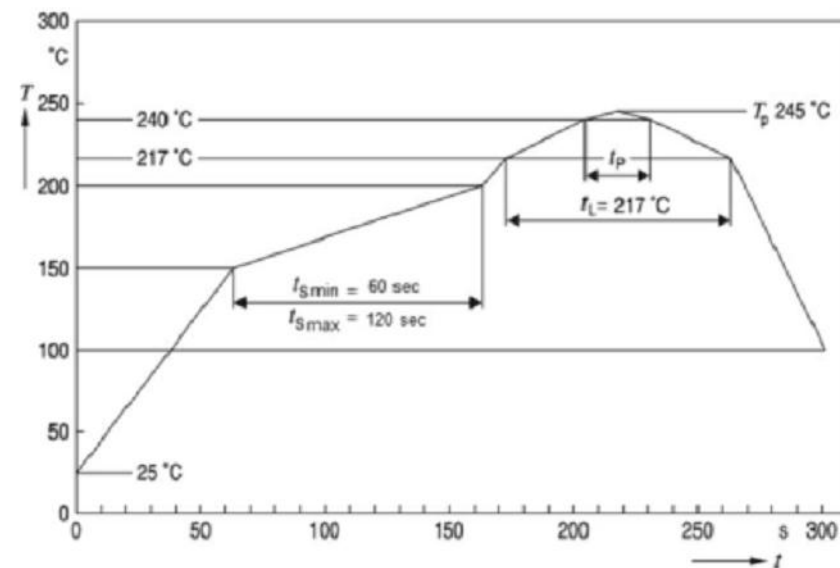
ABSOLUTE MAXIMUM RATINGS AT 25 °C AMBIENT	YELLOW	GREEN	UNITS
CONTINUOUS FORWARD CURRENT	15		mA
REVERSE VOLTAGE	12		V
OPERATING TEMPERATURE	-40 TO +100		°C
STORAGE TEMPERATURE	-40 TO +100		°C

### RECOMMENDED RoHS SOLDER PROFILE

ABSOLUTE MAXIMUM RATINGS AT 25 °C AMBIENT	RED/GRN	YLW/GRN	UNITS
CONTINUOUS FORWARD CURRENT	15		mA
REVERSE VOLTAGE	12		V
SURGE CURRENT	100		mA
PEAK SOLDERING TEMPERATURE	245		°C
OPERATING TEMPERATURE	-40 TO +100		°C
STORAGE TEMPERATURE	-40 TO +100		°C
TIME ABOVE LIQUIDUS TEMPERATURE ( $t_L$ )	80 Seconds Minimum		S
	100 Seconds Maximum		
TIME WITHIN 5 °C OF SPECIFIED PEAK TEM ( $T_P - 5^\circ\text{C}$ )	10 Seconds Minimum		S
	30 Seconds Maximum		
PEAK TEMPERATURE $T_P$	245 Recommended		°C
	260 Maximum		
RAMP-UP RATE TO PREHEAT (25 °C TO 150 °C)	2° C/s Recommended 3° C/s Max		°C/S
RAMP-UP RATE TO PEAK ( $T_{SMAX}$ TO $T_P$ )			
RAMP-DOWN RATE ( $T_P$ TO 100 °C)	3° C/s Recommended 6° C/s Max		°C/S
TIME (25 °C TO $T_P$ )		480 Seconds Maximum	

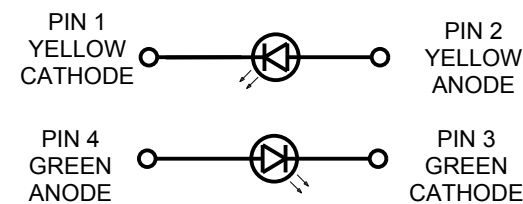
**NOTE:**

- EPOXY COLOR: WATER CLEAR.
- DIE: InGaAlP FOR BOTH YELLOW AND GREEN
- LEADS: TIN (Sn) OVER NICKEL (Ni) WITH COPPER ALLOY (Cu) LEAD FRAME
- SOLDER ADHERANCE: BOTH LEADS PER MIL-STD-202E, METHOD 208C.
- PART TAPED AND REELED PER EIA-RS-481-1.
- SUFFIX -202F FOR 20 PCS ON A SAMPLE TAPE STRIP.
- SUFFIX -207F FOR 7" DIAMETER REEL, PACKAGED 2000 PCS PER REEL.
- LABELING FOR REEL AND OUTSIDE OF ALUMINUM FOIL BAG:  
DIALIGHT P/N, Y/G BICOLOR, QUANTITY PER REEL, DATE CODE, INTENSITY BIN CODE, LOT NUMBER AND COUNTRY OF ORIGIN.
- DIALIGHT P/N: 597-7721-202F, 597-7721-207F.
- TAPE AND REEL LEDS MAY REQUIRE RE-TAPING AFTER TWELVE MONTHS.
- PRODUCT P/N WITH "F" SUFFIX ENDING IS RoHS COMPLIANT.

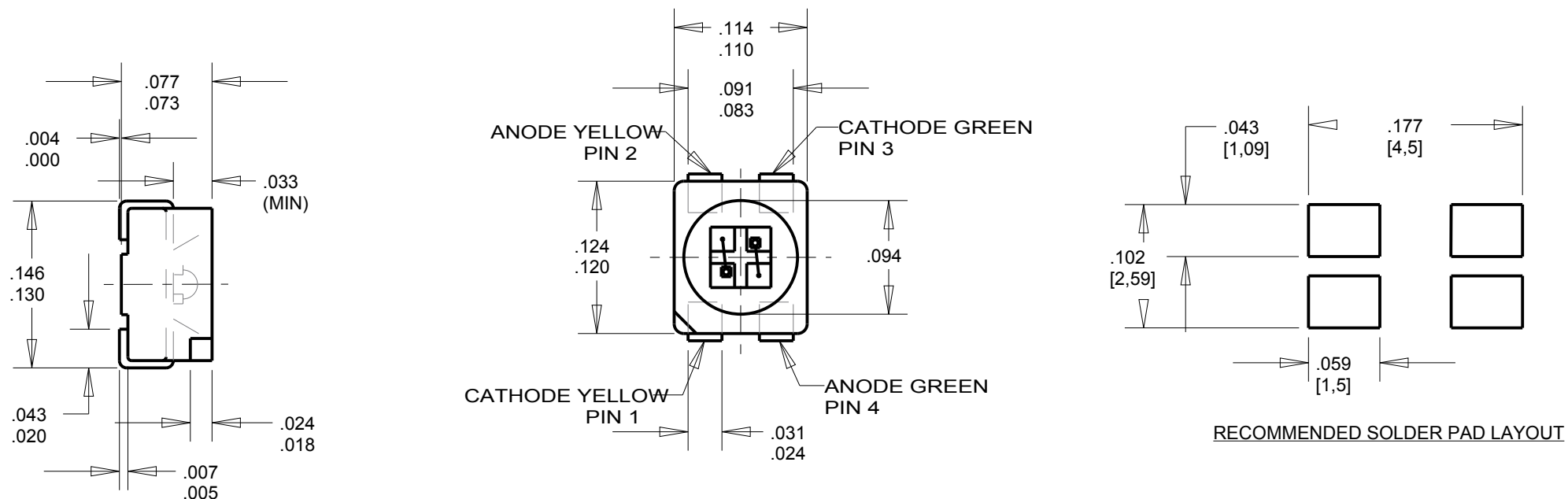


IR REFLOW SOLDERING PROFILE FOR LEAD FREE SOLDERING

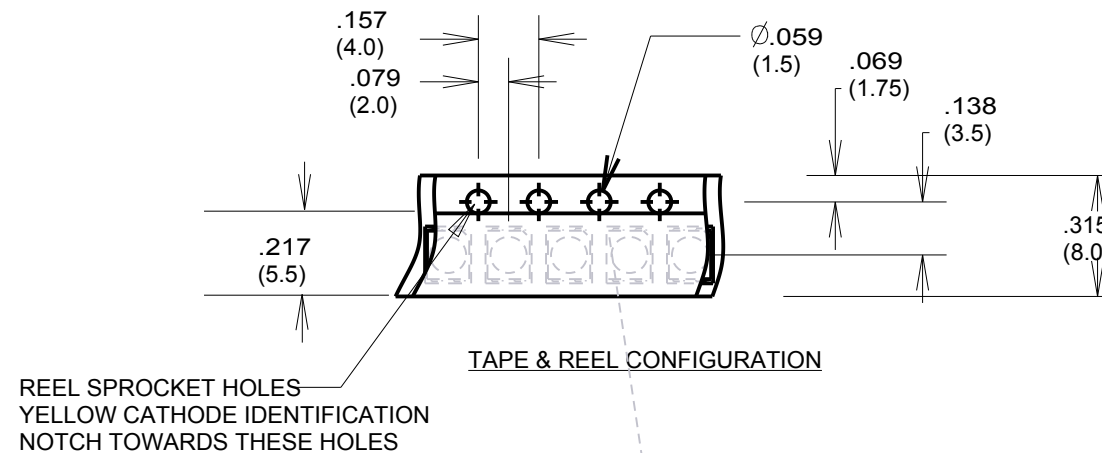
REV	ECN NO	REVISIONS	DRN	CKD	APP	DATE
A	—	NEW RELEASE	TWC	—	—	—
B	—	.130-.146 WAS ".125-.142"	AJF	KLJ	NO	4-2-10
C	—	UPDATED REVERSE CURRENT, PEAK WAVELENGTH FOR GREEN, AND REVERSE VOLTAGE. ALSO UPDATED NOTE 8	BP	—	NO	5-16-17
D	—	CHANGED LED SPECS LOW CURRENT TO 2MA MORE EFFICIENT LED	LD			



LED SCHEMATIC




RECOMMENDED SOLDER PAD LAYOUT



REEL SPROCKET HOLES  
YELLOW CATHODE IDENTIFICATION NOTCH TOWARDS THESE HOLES

THIS DRAWING AND THE CONTENTS HEREIN ARE CONFIDENTIAL AND THE SOLE PROPERTY OF DIALIGHT. REPRODUCTION OF THIS DRAWING OR CONSTRUCTION OF ANY PARTS WITHIN THIS DRAWING ARE FORBIDDEN WITHOUT THE WRITTEN CONSENT OF DIALIGHT.		
SCALE: DRAWING SCALE ALL DIM'S IN: INCHES (MM)	DRAWING NUMBER <b>C-17261</b>	REV <b>D</b>
TOLERANCES: UNLESS OTHERWISE SPECIFIED	TITLE PLCC-4, Y/G BI-COLOR RoHS COMPLIANT	
FRACTIONS: ±1/64 DECIMALS (.XX): ±.01 DECIMALS (.XXX): ±.005 DECIMALS (.XXXX): ±.0005 ANGLES: ±1°	MATERIAL	
FINISH:		
FSCM <b>83330</b>	1501 ROUTE 34 SOUTH FARMINGDALE, NJ 07729	
	SHEET 1 OF 2	FAMILY TABLE:

REV	ECN NO	REVISIONS	DRN	CKD	APP	QA	CM	DATE
A	—	NEW RELEASE						

THIS DRAWING AND THE CONTENTS HEREIN ARE CONFIDENTIAL AND THE SOLE PROPERTY OF DIALIGHT. REPRODUCTION OF THIS DRAWING OR CONSTRUCTION OF ANY PARTS WITHIN THIS DRAWING ARE FORBIDDEN WITHOUT THE WRITTEN CONSENT OF DIALIGHT.		
SCALE: DRAWING SCALE ALL DIM'S IN: INCHES (MM)	DRAWING NUMBER	REV
TOLERANCES: UNLESS OTHERWISE SPECIFIED FRACTIONS: ±1/64 DECIMALS (.XX): ±.01 DECIMALS (.XXX): ±.005 DECIMALS (.XXXX): ±.0005 ANGLES: ±1°	TITLE	]
FINISH:	MATERIAL	
FSCM 83330		1501 ROUTE 34 SOUTH FARMINGDALE, NJ 07727
	SHEET 2 OF 2	FAMILY TABLE: