

PLEASE CHECK WWW.MOLEX.COM FOR LATEST PART INFORMATION

Part Number: **5036601010**
Status: **Active**
Overview: Micro-Lock™ Connectors
Description: Micro-Lock 2.00mm Pitch Single-Row Right-Angle Header, 10 Circuits, White without Boss, 5036601010

Documents:

| | |
|---|---|
| 3D Model | Application Specification AS-503658-001-001 (PDF) |
| Drawing (PDF) | Packaging Specification 5036609200-200 (PDF) |
| Product Specification PS-503658-001-001 (PDF) | RoHS Certificate of Compliance (PDF) |

General

| | |
|----------------|-------------------------------|
| Product Family | PCB Headers |
| Series | <u>503660</u> |
| Application | Wire-to-Board |
| Overview | <u>Micro-Lock™ Connectors</u> |
| Product Name | Micro-Lock |
| UPC | 884982339897 |

Physical

| | |
|--------------------------------|---------------------------|
| Breakaway | No |
| Circuits (Loaded) | 10 |
| Circuits (maximum) | 10 |
| Color - Resin | White |
| Durability (mating cycles max) | 30 |
| First Mate / Last Break | No |
| Glow-Wire Compliant | No |
| Guide to Mating Part | No |
| Lock to Mating Part | Yes |
| Material - Metal | Brass |
| Material - Plating Mating | Tin |
| Material - Plating Termination | Nickel |
| Material - Resin | PBT |
| Net Weight | 1054.300/mg |
| Number of Rows | 1 |
| Orientation | Right Angle |
| PC Tail Length | 3.00mm |
| PCB Locator | No |
| PCB Retention | None |
| PCB Thickness - Recommended | 1.20mm, 1.60mm |
| Packaging Type | Tray |
| Pitch - Mating Interface | 2.00mm |
| Surface Mount Compatible (SMC) | No |
| Termination Interface: Style | Through Hole - Kinked Pin |

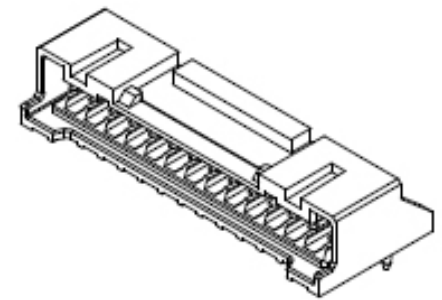
Electrical

| | |
|-------------------------------|------|
| Current - Maximum per Contact | 3.0A |
| Voltage - Maximum | 250V |

Material Info

Reference - Drawing Numbers

| | |
|---------------------------|-------------------|
| Application Specification | AS-503658-001-001 |
| Packaging Specification | 5036609200-200 |
| Product Specification | PS-503658-001-001 |
| Sales Drawing | SD-503660-001 |



Series image - Reference only

EU ELV

Not Relevant

EU RoHS

Compliant

China RoHS

REACH SVHC

Not Contained Per -
ED/30/2017 (7 July
2017)

Halogen-Free

Status

Low-Halogen

Need more information on product environmental compliance?

Email productcompliance@molex.com
Please visit the [Contact Us](#) section for any non-product compliance questions.

| | |
|-----------------|---------------|
| China ROHS | Green Image |
| ELV | Not Relevant |
| RoHS Phthalates | Not Contained |

Search Parts in this Series

[503660](#) Series

Mates With

[503658](#) Micro-Lock Wire-to-Board Crimp Housing

This document was generated on 12/08/2017

PLEASE CHECK WWW.MOLEX.COM FOR LATEST PART INFORMATION