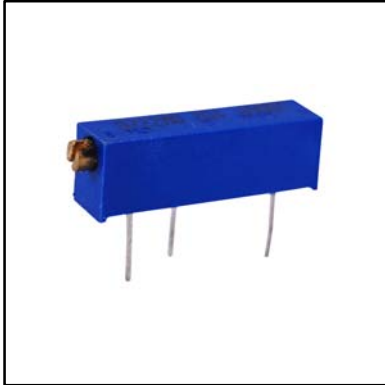


## Features

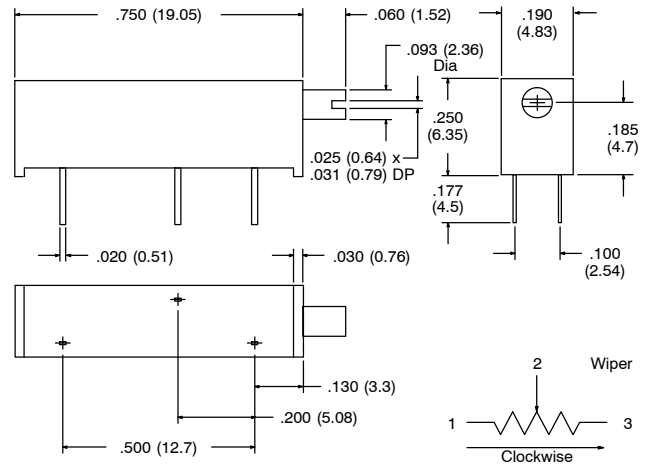
- Economically Priced
- Replaces the Spectrol 43P Series
- RoHS compliant
- Industrial / Sealed
- IC style pins for easier board insertion



# Trimmer, 3/4" Rectangular

## Trimmer – Multiturn Cermet

### T1e



NEW

NTE Part No.	Equivalent Spectrol No.	Value (Ohms)	Diag No.
500E-0002	43P-200	20	T1e
500E-0003	43P-500	50	T1e
500E-0004	43P-101	100	T1e
500E-0006	43P-501	500	T1e
500E-0007	43P-102	1K	T1e
500E-0008	43P-202	2K	T1e
500E-0009	43P-502	5K	T1e
500E-0010	43P-103	10K	T1e
500E-0011	43P-203	20K	T1e
500E-0013	43P-503	50K	T1e
500E-0014	43P-104	100K	T1e
500E-0017	43P-504	500K	T1e
500E-0018	43P-105	1M	T1e

## Specifications

### Electrical

- Effective Travel:** 22 turns nom
- Resistance Range:** 50Ω to 1 Meg Ω
- Resistance Tolerance:** ±10%
- Absolute Minimum Resistance:** ≤ 1% or 2Ω
- Temperature Coefficient:** ±100 ppm/°C.
- Power Rating:** 3/4 Watt @ 70°C derated to 0 Watts @ 125°C
- Withstanding Voltage:** 640V<sub>AC</sub>
- Insulation Resistance:** ≥ 1G Ω @ 100V<sub>AC</sub>
- Contact Resistance Variation:** ≤ 1% or 1Ω

### Mechanical

- Starting Torque:** ≤ 35 mN • m
- Rotation Life:** 200 cycles min with max change of ≤ 3% in total resistance
- Resistance Element:** Cermet

### Environmental

- Operating Temperature:** -55°C to +125°C
- Electrical Endurance:** 1000 hours