

Filler plugs - KDT-ST 11 - 3064001

Please be informed that the data shown in this PDF Document is generated from our Online Catalog. Please find the complete data in the user's documentation. Our General Terms of Use for Downloads are valid (<http://phoenixcontact.com/download>)



Filler plugs, length: 20 mm, diameter: 11 mm, color: black

RoHS

Key Commercial Data

Packing unit	25 pc
GTIN	
GTIN	4046356301466

Technical data

Dimensions

Length	20 mm
--------	-------

Ambient conditions

Degree of protection	IP54 (Observe the assembly instructions)
Ambient temperature (operation)	-20 °C ... 80 °C

General

Material	PA
Color	black
Note	The filler plugs are used to seal unused cable sleeves.
Installation instructions	IP54: for vertical sealing frame mounting/for horizontal sealing frame mounting (downward cable outlet direction).

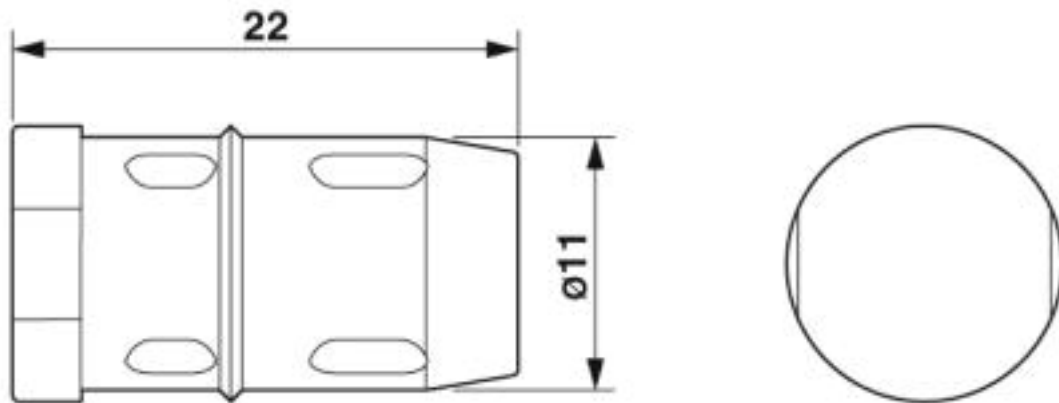
Environmental Product Compliance

China RoHS	Environmentally friendly use period: unlimited = EFUP-e
	No hazardous substances above threshold values

Drawings

Filler plugs - KDT-ST 11 - 3064001

Dimensional drawing



Dimensional drawing

Phoenix Contact 2019 © - all rights reserved
<http://www.phoenixcontact.com>

PHOENIX CONTACT GmbH & Co. KG
Flachsmarktstr. 8
32825 Blomberg
Germany
Tel. +49 5235 300
Fax +49 5235 3 41200
<http://www.phoenixcontact.com>