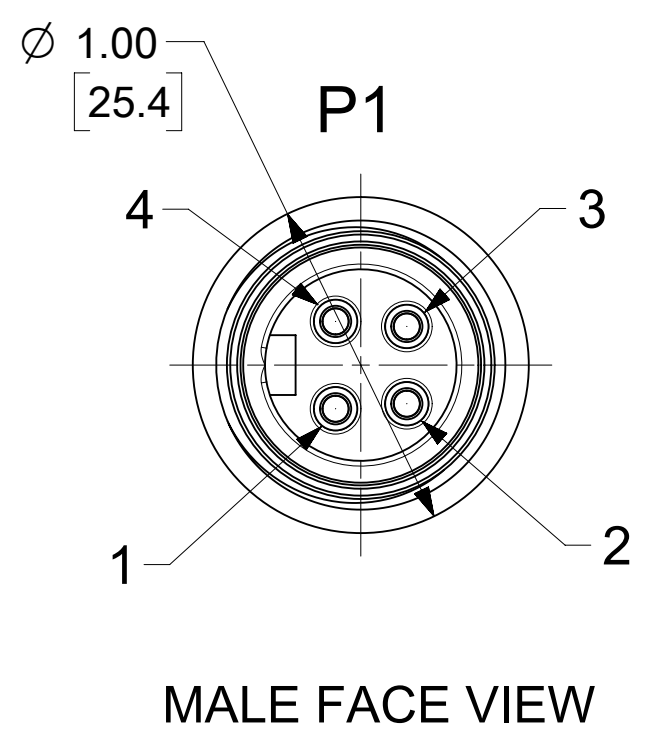
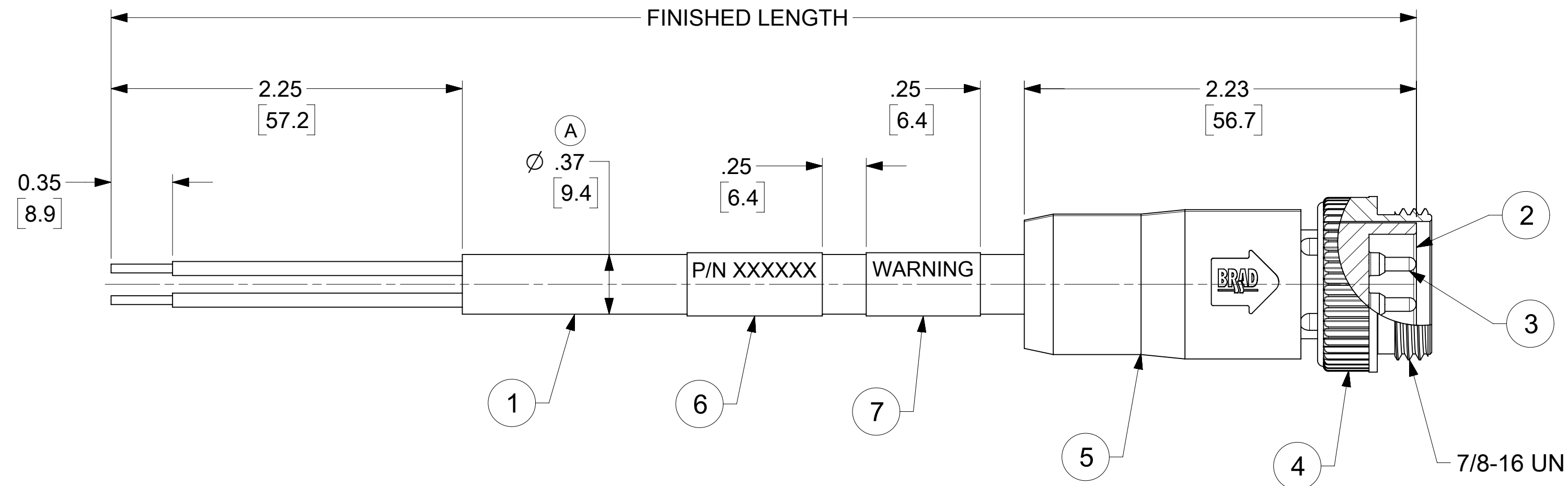
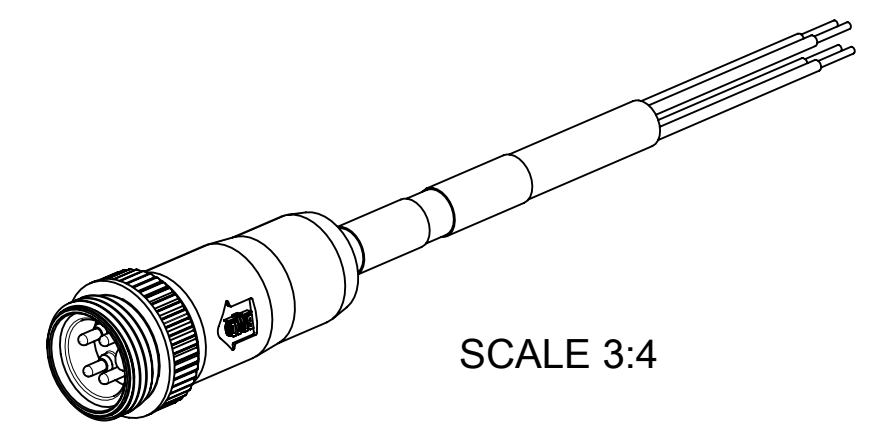


MATERIAL NO.	ENGINEERING NO.	FINISHED LENGTH
1300610256	104006K21M010G	3 FT 3 IN (1.0M)
1300610262	104006K21M080G	26 FT 3 IN (8.0M)
1300610265	104006K21M150G	49 FT 2 IN (15M)

CABLE LENGTH TOLERANCES

<.3M [1FT]: +19mm-0 [+.75in-0]
.3 - .9M [1 - 3FT]: +44.5mm-0 [+1.75in-0]
.9 - 1.8M [3 - 6FT]: +55.6mm-0 [+2.19in-0]
1.8 - 3.7M [6 - 12FT]: +88.9mm-0 [+3.50in-0]
3.7 - 7.3M [12 - 24FT]: +165.1mm-0 [+6.50in-0]
7.3-14.6M [24 - 48FT]: +317.5mm-0 [+12.50in-0]
14.6 - 30.5M [48-100FT]: +622.3mm-0 [+24.50in-0]
OVER 30M [100FT] +2% OF FINISHED LENGTH



- NOTES:**
- MATERIAL: AS NOTED
 - FINISH: AS NOTED
 - ELECTRICAL:
VOLTAGE: 483V PER IEC60664
600V PER UL2237
CURRENT: 15A
 - TEMP RATING: -20°C TO +90°C
 - PROTECTION: IP67 (WHEN MATED)
 - UL LISTED FILE: E258922
 - ALL DIMS ARE FOR REFERENCE UNLESS TOLERANCED OR NOTED OTHERWISE

WIRING DIAGRAM

	P1
BLACK #1	1
BLACK #2	2
BLACK #3	3
GREEN/YELLOW	4

PART NUMBER LEGEND

104006K21M010G

OVERMOLD OPTION
G=BLACK

FINISHED LENGTH
M001 = 0.1 METER
M010 = 1.0 METER
M100 = 10.0 METERS

ITEM	DESCRIPTION	MATERIAL	FINISH
7	WARNING LABEL	VINYL	ORANGE/BLACK
6	WRAP LABEL	VINYL	BLACK/YELLOW
5	OVERMOLD	TPE	BLACK
4	COUPLING NUT	ZINC DIE-CAST	BLACK E-COAT
3	PIN CONTACT	Cu ALLOY	GOLD OVER NICKEL
2	MALE INSERT	TPE	BLACK
1	CABLE, #14-4 TC-ER/MTW	TPE	BLACK

THIS DOC SUPERSEDES SD-130061-039

FUNCTIONAL SYMBOLS	THIS DRAWING CONTAINS INFORMATION THAT IS PROPRIETARY TO MOLEX ELECTRONIC TECHNOLOGIES, LLC AND SHOULD NOT BE USED WITHOUT WRITTEN PERMISSION
$F_A = 0$	DIMENSION UNITS: INCH/MM SCALE: 1.3:1
$F_C = 0$	GENERAL TOLERANCES (UNLESS SPECIFIED)
$F_D = 0$	4 PLACES ±
DIVISIONAL SYMBOLS	3 PLACES ±
	2 PLACES ±
	1 PLACE ±
	0 PLACES ±
	ANGULAR TOL ± °
	DRAFT WHERE APPLICABLE MUST REMAIN WITHIN DIMENSIONS
	THIRD ANGLE PROJECTION
	DRAWING C-SIZE
	SERIES 130061
	CURRENT REV DESC: UPDATED ITEM # 2&5 WERE PVC, MATERIAL & TOLERANCE TABLE & ADDED CABLE DIA.
	EC NO: 718076
	DRWN: VHANDI 2020/09/21
	CHK'D: RSTONE 2022/08/18
	APPR: BWOODMAN 2022/08/22
	INITIAL REVISION:
	DRWN: RSTONE 2016/07/20
	APPR: BWOODMAN 2016/08/02
	PRODUCT CUSTOMER DRAWING
	DOCUMENT NUMBER: 1300610256
	DOC TYPE: PSD
	DOC PART: 000
	REVISION: A
	MATERIAL NUMBER: SEE TABLE
	CUSTOMER: GENERAL MARKET
	SHEET NUMBER: 1 OF 1