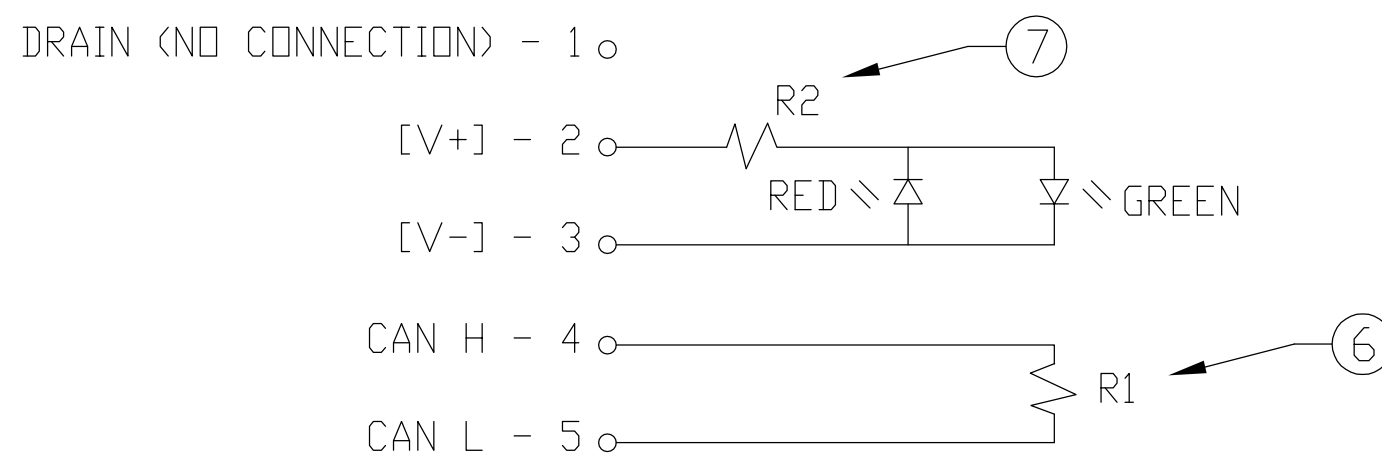
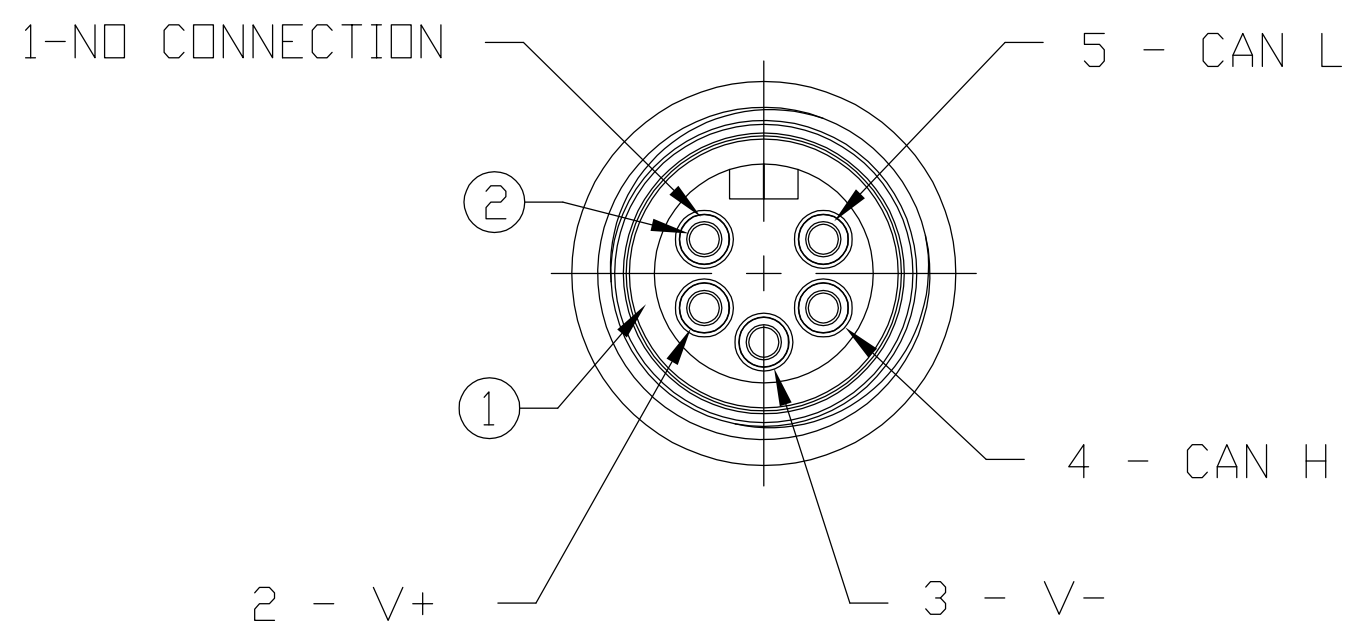
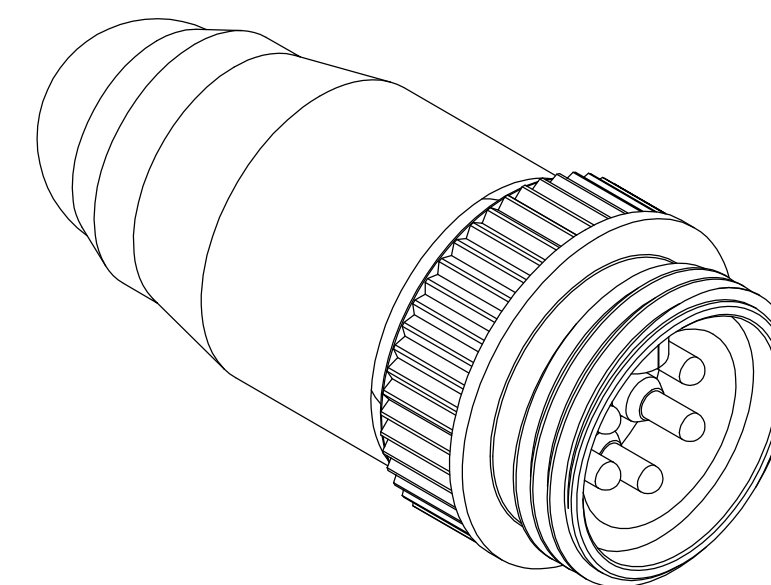
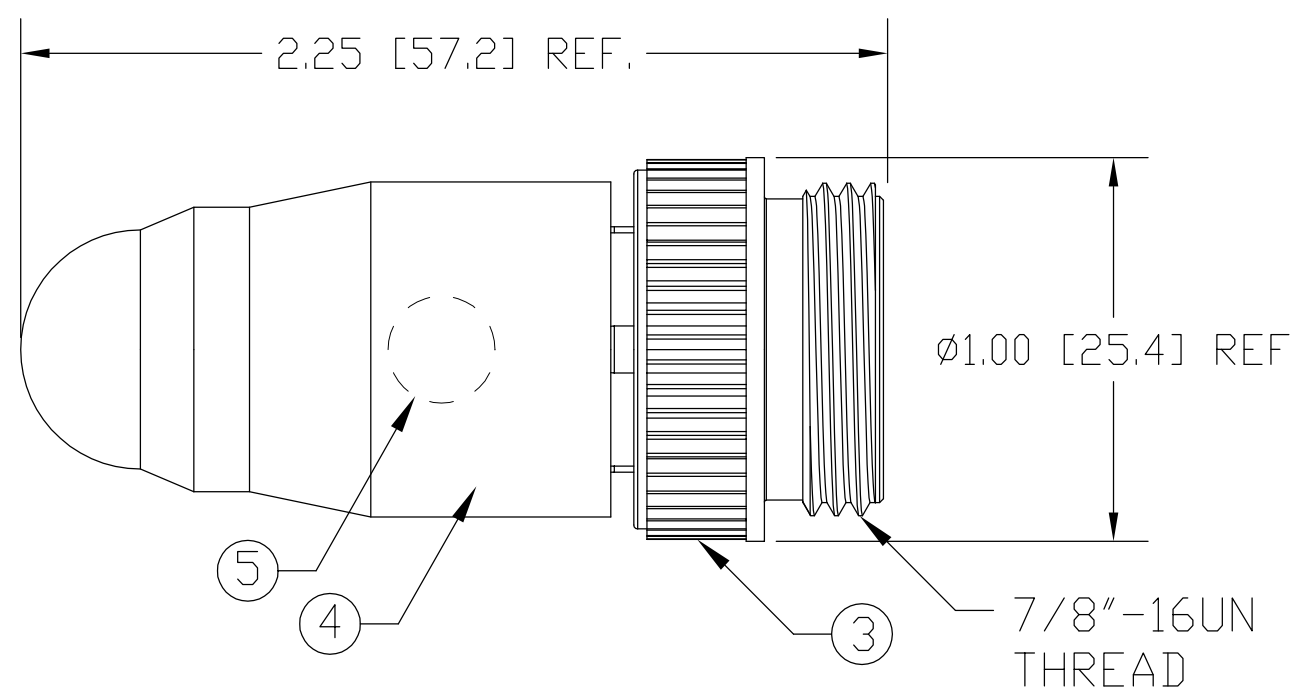


MATERIAL NUMBER

OLD PART NUMBER

130039-0371

DN100L



WIRING SCHEMATIC

VOLTAGE RATING	50 VAC/VDC
AMPERAGE RATING	8 AMPS
PROTECTION	IP67
OPERATING TEMPERATURE	0°C TO 60°C

ITEM	COMPONENT	MATERIAL	FINISH
1	INSERT	PVC	GRAY
2	CONTACT PIN	COPPER ALLOY	GOLD OVER NICKEL
3	COUPLNG NUT	ZINC DIE CAST	BLACK E-COATED
4	OVERMOLD	PVC	CLEAR
5	LED		RED/GREEN
6	RESISTOR(R1)	121 OHM 1/4 WATT	
7	RESISTOR(R2)	1600 OHM 1/2 WATT	

RLSO DRAWING EC NO: WNA2010-0152 DRWN: LHARTMAN 8/27/09 CH'KD: BWOODMAN2009/08/28 APPR: JFMURPHY 2009/08/31	QUALITY SYMBOL	GENERAL TOLERANCES (UNLESS SPECIFIED)	DIMENSION STYLE	SCALE	DESIGN UNITS	THIRD ANGLE PROJECTION
	▼=0 ▽=0	4 PLACES ±--- 3 PLACES ±--- 2 PLACES ±--- ±.01 1 PLACE ±0.3 ±---	IN/MM	---	---	
	DESCRIPTION	ANGULAR ±---°	DRAWN BY DATE	TITLE		
	REV	DRAFT WHERE APPLICABLE MUST REMAIN WITHIN DIMENSIONS	LHARTMAN 2009/08/28	MINI-CHANGE TERMINATOR 5P MALE DEVICENET LED		
		CHECKED BY DATE	MOLEX INCORPORATED			
		BWOODMAN 2009/08/28	SD-130039-013			
		APPROVED BY DATE	SHEET NO. 1 OF 1			
		JFMURPHY 2009/08/28	THIS DRAWING CONTAINS INFORMATION THAT IS PROPRIETARY TO MOLEX INCORPORATED AND SHOULD NOT BE USED WITHOUT WRITTEN PERMISSION			
		MATERIAL NO.				
		SEE CHART				
		SIZE C				