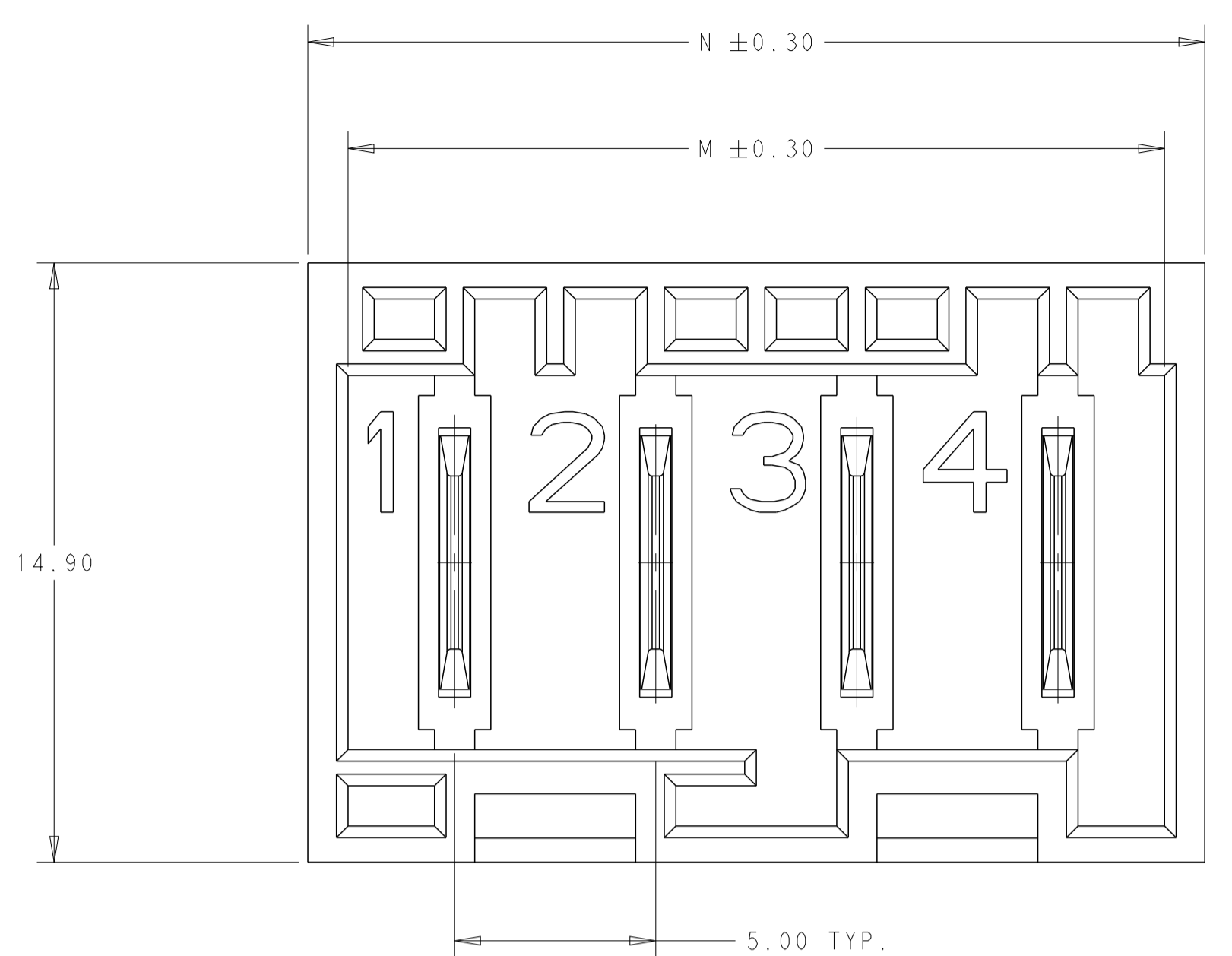
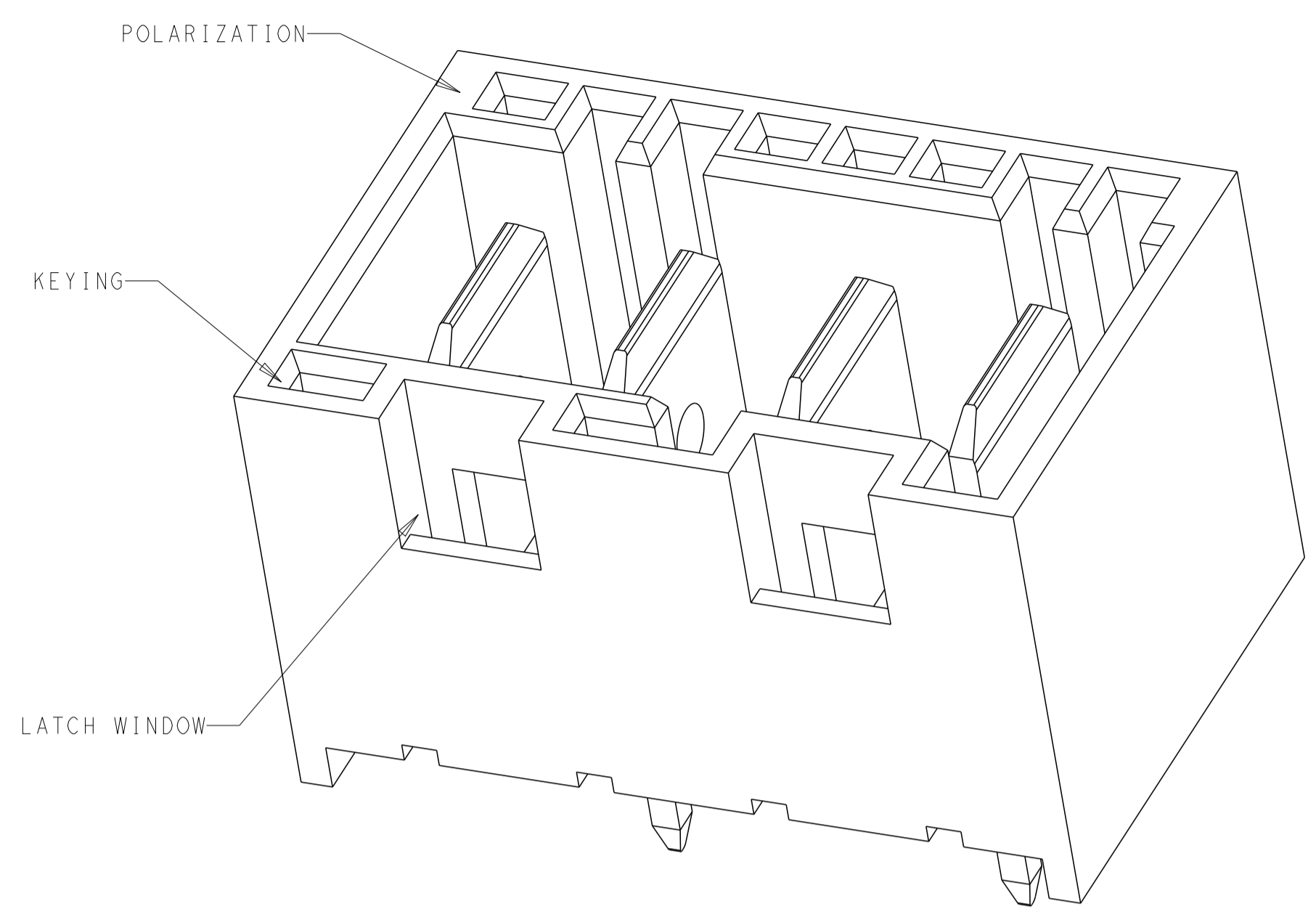
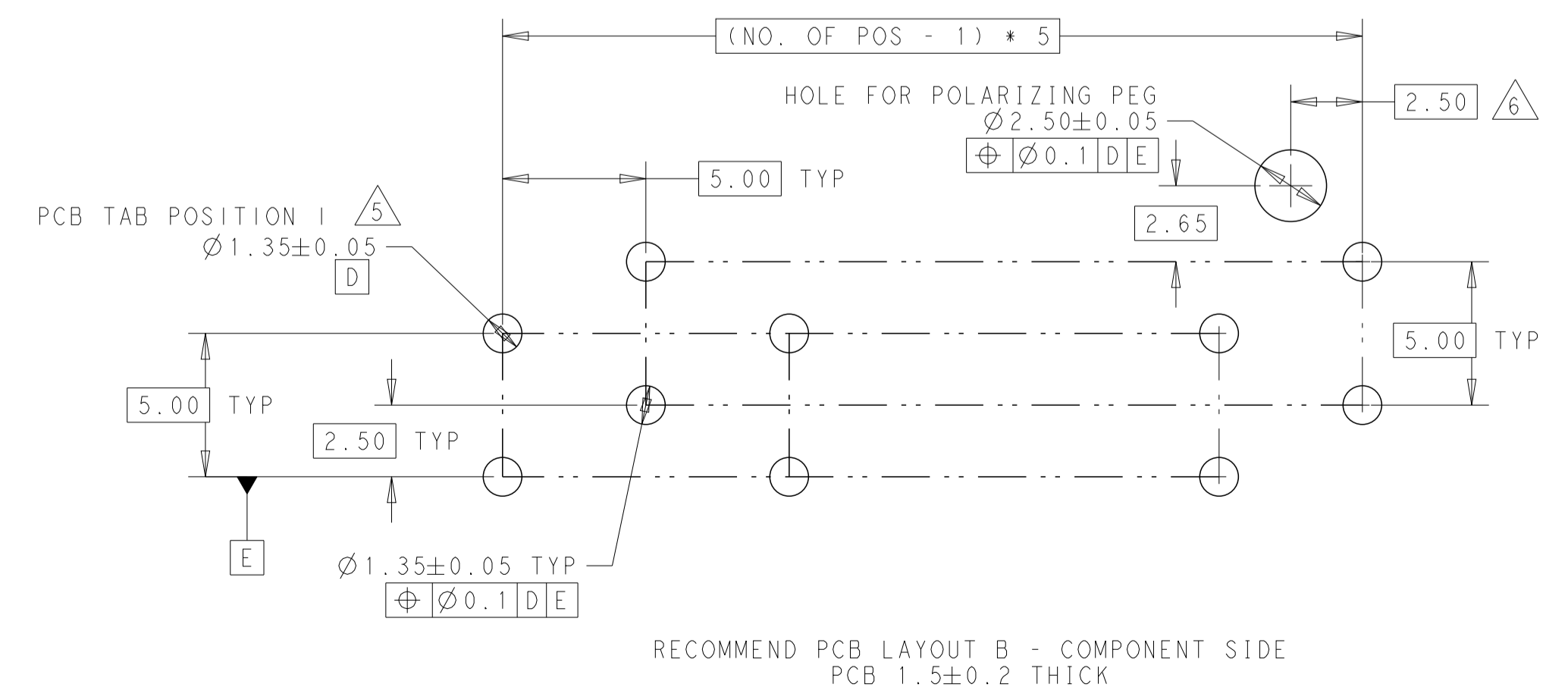
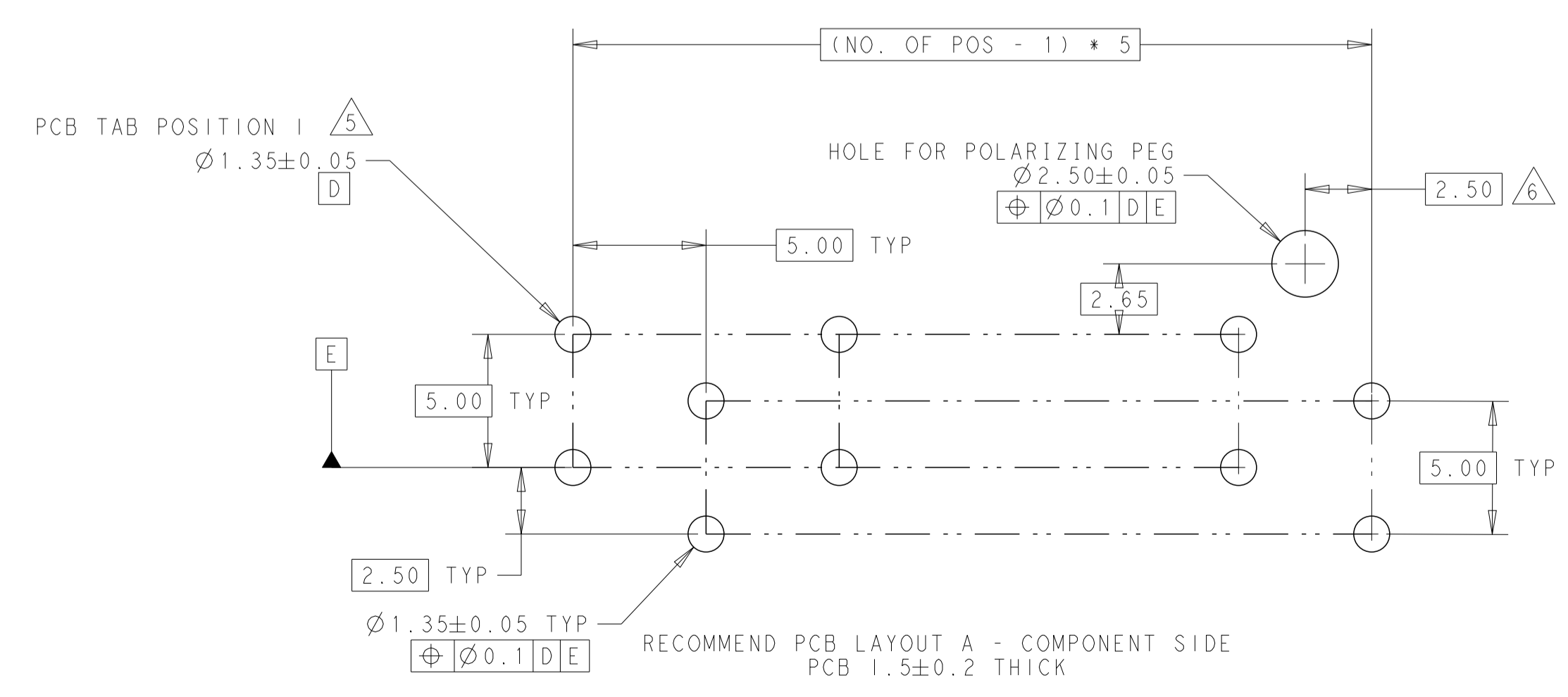
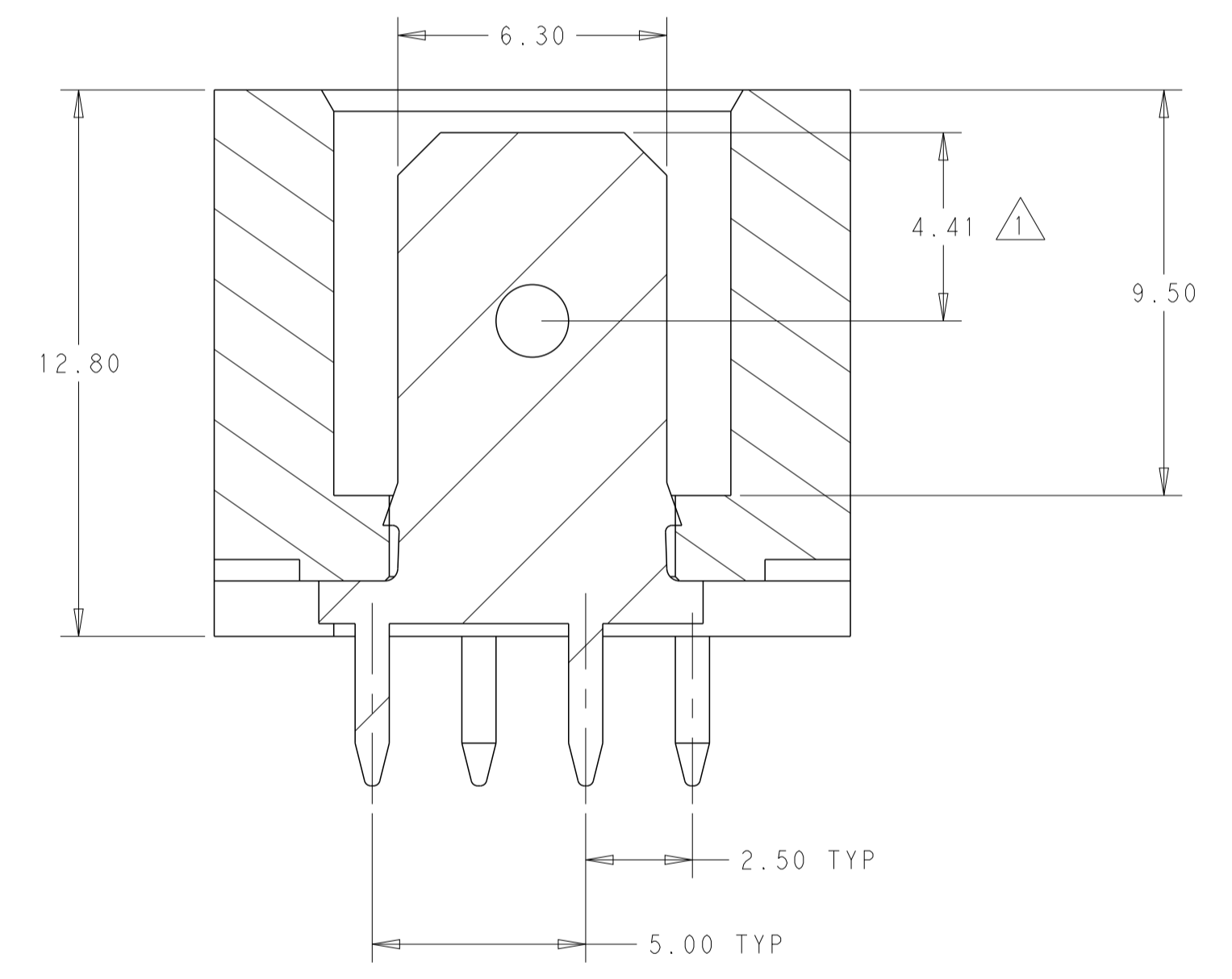
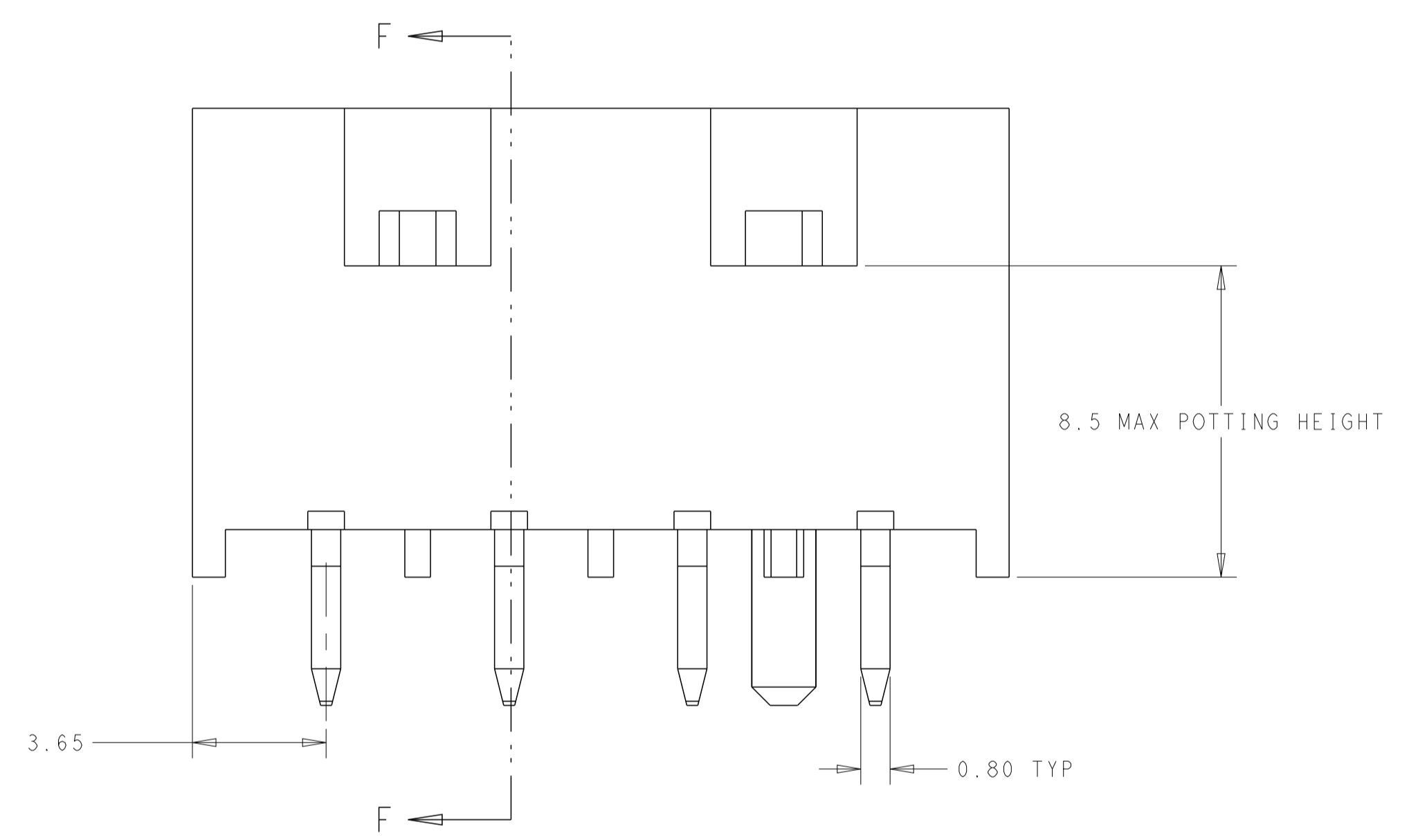
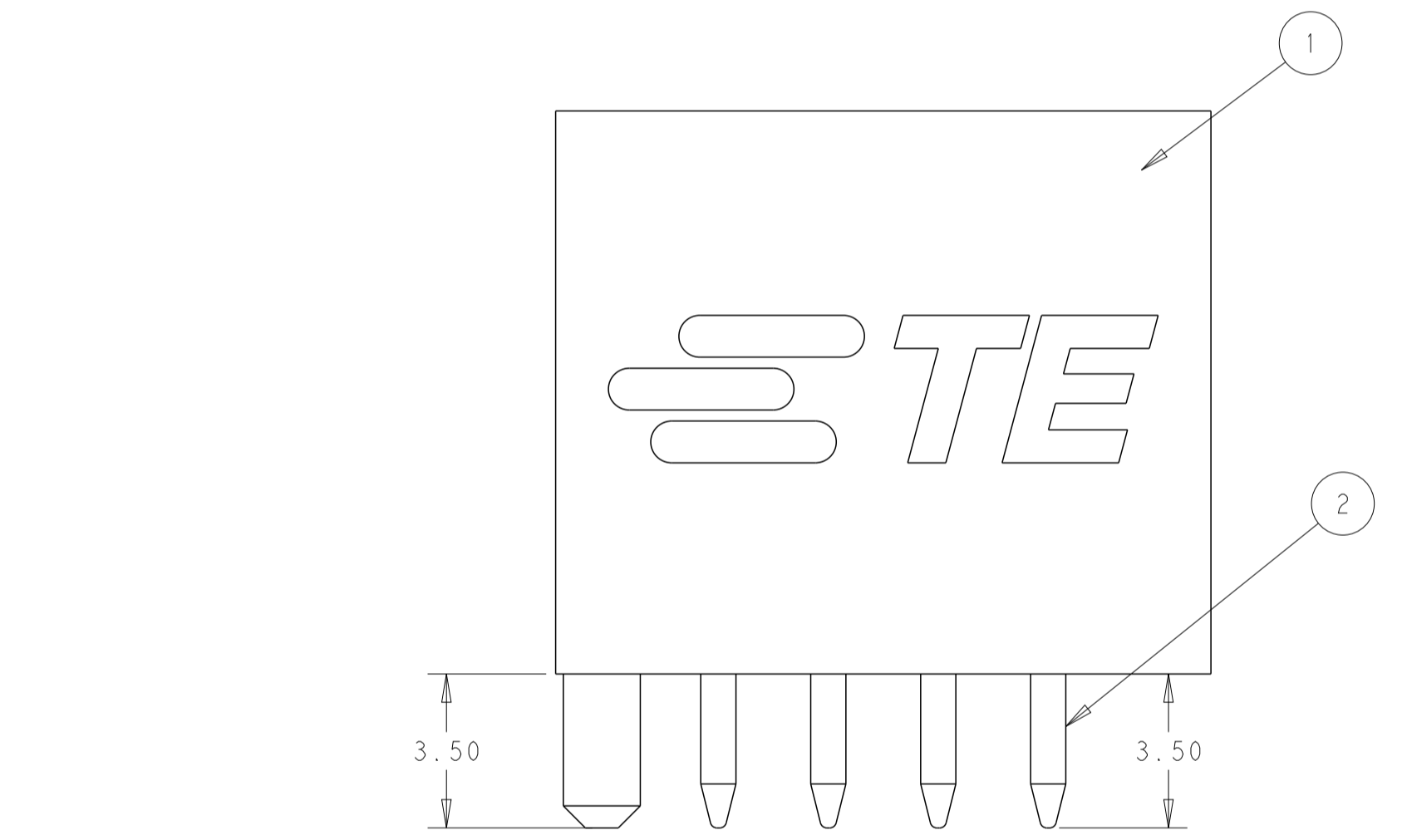


REVISIONS				
P	LTN	DESCRIPTION	DATE	APVD
B4	ECR-22-154934		09NOV2022	LZ FL
B5	ECR-23-171273		11APR2023	SM FL
B6	ECR-23-173723		03MAY2023	SM FL



NOTES:

- 1 HOUSING HAS RAST 5 COMPLIANT KEYING, LATCHING, AND POLARIZATION TAB IS 6.30 X 0.8 ACCORDING TO DIN 46244
- 2 SEE SHEET 2 FOR AVAILABLE CONFIGURATIONS
- 3 MATERIAL: HOUSING, NYLON, UL94 V0, 750°C GWT NO FLAME CONTACT, COPPER ALLOY, 0.8MM THICK
- 4 FINISH: CONTACTS WITH TIN:MATTE TIN PLATING OVERALL, NICKEL UNDER-PLATING CONTACTS WITH SILVER:SILVER PLATING OVERALL, NICKEL UNDER-PLATING
- 5 PCB TABS INSERTED IN A STAGGERED PATTERN BEGINNING WITH POSITION 1
- 6 DIMENSION OFF OF LAST POSITION REGARDLESS OF EVEN OR ODD POSITION HEADER
- 7 PACKAGING: LOOSE PIECE
- 8 PRELIMINARY PART - NOT RELEASED FOR PRODUCTION THIS PRODUCT HAS NOT COMPLETED QUALIFICATION TESTING
- 9 TOOL MARK ON TERMINAL SURFACE IS ACCEPTABLE WHICH DOES NOT IMPACT FUNCTION
- 10 PACKAGING WITH NORMAL PE BAG.



20.30	22.30	4
15.30	17.30	3
10.30	12.30	2
M	N	NO. OF POS.

THIS DRAWING IS A CONTROLLED DOCUMENT.

OWN: J. POTERJOY 09APR2015  
CHK: F. LUPO 09APR2015  
APVD: R. ROBONE 09APR2015

DIMENSIONS: mm  
TOLERANCES UNLESS OTHERWISE SPECIFIED:  
0 PLC ±  
1 PLC ±0.25  
2 PLC ±  
3 PLC ±  
4 PLC ±  
ANGLES ±  
FINISH ±

MATERIAL: SEE NOTES  
FINISH: SEE NOTES

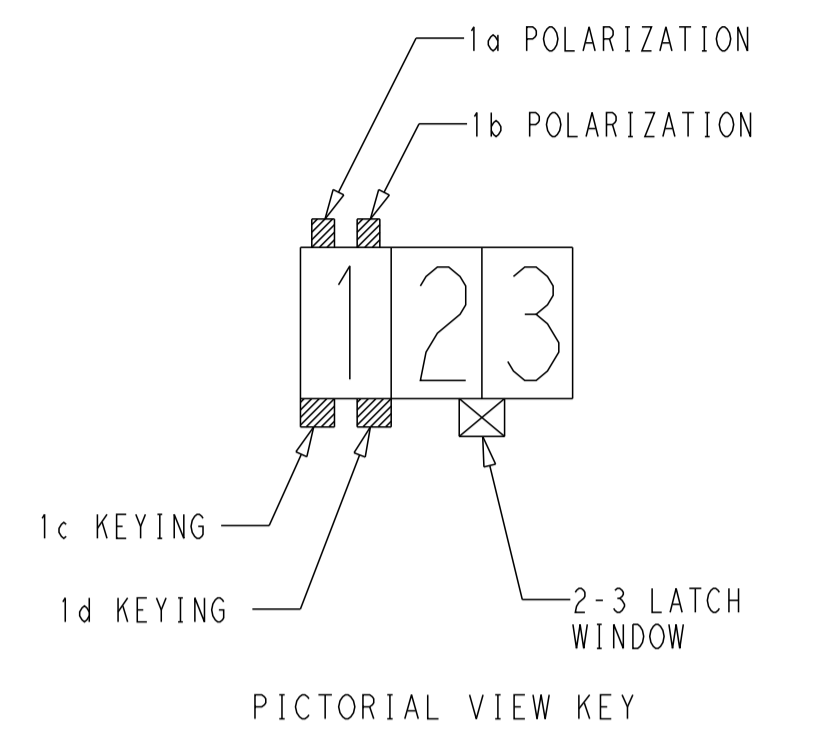
WEIGHT: -  
CUSTOMER DRAWING

NAME: RAST 5 TAB HEADER ASSY, DIN SHROUDED, VERTICAL  
SIZE: A1  
CAGE CODE: -  
DRAWING NO: C=1969740  
RESTRICTED TO: -

SCALE: 7:1  
SHEET: 1 OF 3  
REV: B6

REVISIONS				
P	LTN	DESCRIPTION	DATE	APVD
-	-	SEE SHEET 1	-	-

	NATURAL	3	DIN TAB WITH SILVER PLATING	1	RAST 5 TAB HEADER HOUSING	3	2407489-3	B
		2		1		2	2407489-2	
LAYOUT	COLOR	QTY	TAB CONTACT	QTY	HOUSING	NO. OF POS	TE PART NO.	PCB LAYOUT



	NATURAL	4	DIN TAB WITH MATTE TIN PLATING	1	RAST 5 TAB HEADER HOUSING	4	1-1969740-4	A
		4		1		4	1969740-4	
		3		1		3	1-1969740-3	
		3		1		3	1969740-3	
		2		1		2	1-1969740-2	
		2		1		2	1969740-2	
LAYOUT	COLOR	QTY	TAB CONTACT	QTY	HOUSING	NO. OF POS	TE PART NO.	PCB LAYOUT

	NATURAL	3	DIN TAB WITH SILVER PLATING	1	RAST 5 TAB HEADER HOUSING	3	2355812-3	2432808-3	2432809-3	A
		2		1		2	2-2355812-2	2-2432808-2	2-2432809-2	
		2		1		2	1-2355812-2	1-2432808-2	1-2432809-2	
		2		1		2	2355812-2	/	/	
LAYOUT	COLOR	QTY	TAB CONTACT	QTY	HOUSING	NO. OF POS	PART NO. WITH MOISTURE BARRIER BAG	PART NO. W FOIL BAG WITH RESIN B	PART NO. W PE BAG WITH RESIN B	PCB LAYOUT

THIS DRAWING IS A CONTROLLED DOCUMENT.

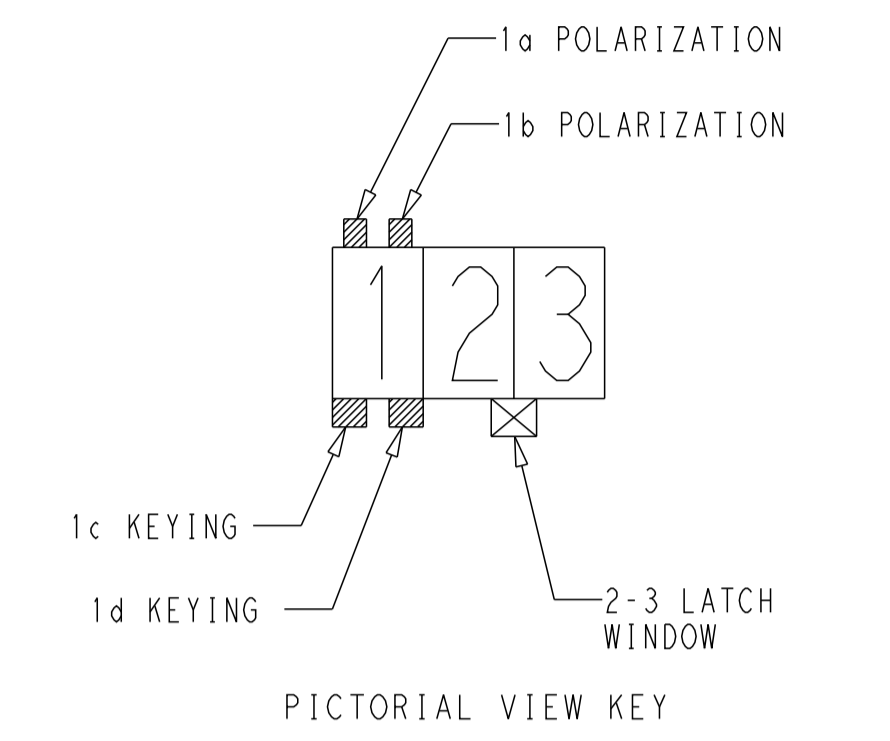
DIMENSIONS: mm	TOLERANCES UNLESS OTHERWISE SPECIFIED:	0 PLC ±	1 PLC ±	2 PLC ±0.25	3 PLC ±	4 PLC ±	ANGLES ±3°
MATERIAL: SEE NOTES	FINISH: SEE NOTES	WEIGHT: -	SIZE: A1	CAGE CODE: -	DRAWING NO: C=1969740	RESTRICTED TO: -	SCALE: 8:1

DWG: J. POTERJOY 09APR2015  
 CHK: F. LUPO 09APR2015  
 APVD: B. ROBONE 09APR2015  
 NAME: RAST 5 TAB HEADER ASSY, DIN SHROUDED, VERTICAL  
 APPLICATION SPEC: -  
 CUSTOMER DRAWING  
 SHEET 2 OF 3  
 REV B6

THIS DRAWING IS UNPUBLISHED. RELEASED FOR PUBLICATION 20  
 © COPYRIGHT 20 BY - ALL RIGHTS RESERVED.

REVISIONS				
P	LTN	DESCRIPTION	DATE	APVD
-		SEE SHEET 1	-	-

		3		1	3	2532387-3		
	NATURAL	2	DIN TAB WITH SILVER PLATING	1	2	2-2532387-2	A	
		2		1	2	1-2532387-2		
		2		1	2	2532387-2		
LAYOUT		COLOR		QTY	TAB CONTACT $\Delta$	QTY		HOUSING $\Delta$



THIS DRAWING IS A CONTROLLED DOCUMENT.

DIMENSIONS:	TOLERANCES UNLESS OTHERWISE SPECIFIED:	DWN J. POTERJOY 09APR2015	TE Connectivity
mm	0 PLC ± 1 PLC ± 2 PLC ±0.25 3 PLC ± 4 PLC ± ANGLES ±3° FINISH	CHK F. LUPO 09APR2015	
	SEE NOTES	APVD B. ROBONE 09APR2015	NAME RAST 5 TAB HEADER ASSY, DIN SHROUDED, VERTICAL
		MATERIAL SEE NOTES	PRODUCT SPEC
		APPLICATION SPEC	RESTRICTED TO
		WEIGHT	SIZE CAGE CODE DRAWING NO
		CUSTOMER DRAWING	A1 - C=1969740
			SCALE 8:1 SHEET 3 OF 3 REV B6