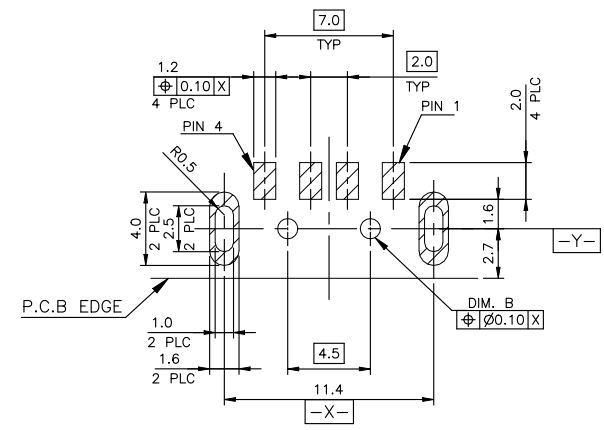
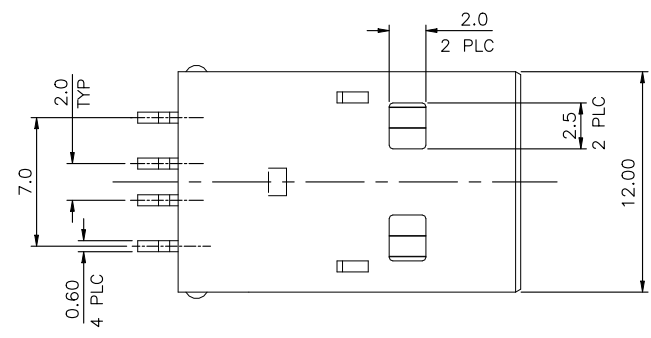
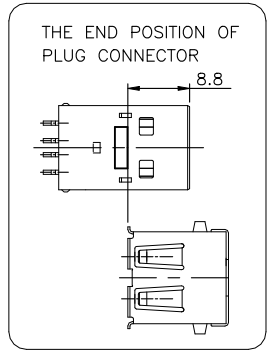
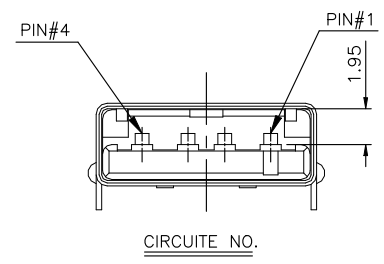
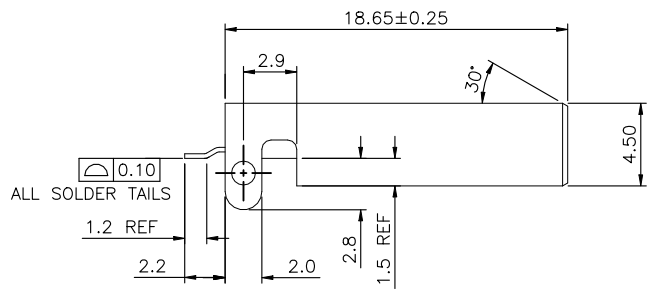
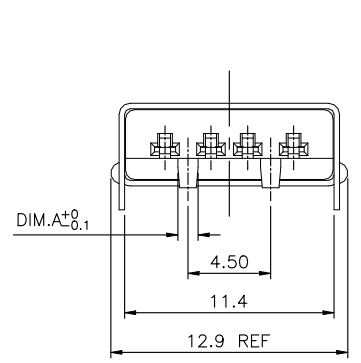


THIS DRAWING IS UNPUBLISHED. RELEASED FOR PUBLICATION  
 © COPYRIGHT - BY TYCO ELECTRONICS CORPORATION. ALL RIGHTS RESERVED.

| LOC | DIST | REVISIONS                 |           |     |      |
|-----|------|---------------------------|-----------|-----|------|
| P   | LTR  | DESCRIPTION               | DATE      | DWN | APVD |
|     | D    | REVISED PER ECR-21-002840 | 12JUL2021 | RM  | SZ   |



RECOMMENDED PCB LAYOUT (THICKNESS: 1.6mm)  
 (COMPONENT VIEW) TOLERANCE: 1PLC:±0.1 2PLC:±0.05



- NOTE:
- MATERIAL:  
 HOUSING: PA-6T WITH 30% GF, UL 94V-0 COLOR: SEE TABLE.  
 CONTACT: BRASS.  
 SHIELD: COLD ROLL STEEL, (SPCC-1).
  - FINISH:  
 CONTACTS: GOLD FLASH OVER  
 0.76um[30u"] MIN. PALLADIUM-NICKEL PLATING ON CONTACT AREA,  
 2.54um[100u"] MIN. MATTE-TIN ON SOLDER TAILS.  
 1.27um[50u"] MIN. NICKEL UNDERPLATED ALL OVER.  
 SHELL: 3.048um[120u"] MIN. NICKEL PLATED OVER  
 5.08um[200u"] MIN. Cu UNDERPLATED ALL OVER.
  - REFLOW SOLDER CAPABLE TO 260°C PER TE TEST SPEC.  
 109-201, CONDITION B.

| OBSOLETE | REEL    | Ø1.40  | Ø1.50      | BLACK      | 1-1734028-4 |
|----------|---------|--------|------------|------------|-------------|
| OBSOLETE | REEL    | Ø1.00  | Ø1.10      | BLACK      | 1-1734028-3 |
| OBSOLETE | REEL    | Ø1.40  | Ø1.50      | NATURE     | 1-1734028-2 |
| OBSOLETE | TRAY    | Ø1.00  | Ø1.10      | NATURE     | 1-1734028-1 |
| OBSOLETE | TRAY    | Ø1.40  | Ø1.50      | BLACK      | 1734028-4   |
| OBSOLETE | TRAY    | Ø1.00  | Ø1.10      | BLACK      | 1734028-3   |
| OBSOLETE | TRAY    | Ø1.40  | Ø1.50      | NATURE     | 1734028-2   |
| OBSOLETE | TRAY    | Ø1.00  | Ø1.10      | NATURE     | 1734028-1   |
|          | PACKING | DIM. A | DIM.B(PCB) | HSG. COLOR | PART NUMBER |

|  |  |                           |           |           |                 |                                       |           |            |               |
|--|--|---------------------------|-----------|-----------|-----------------|---------------------------------------|-----------|------------|---------------|
| THIS DRAWING IS A CONTROLLED DOCUMENT. |  | DWN                       | F. YANG   | 24DEC2008 | TE Connectivity |                                       |           |            |               |
| DIMENSIONS:                            |  | CHK                       | S. CHIEN  | 24DEC2008 |                 |                                       |           |            |               |
| MM                                     | TOLERANCES UNLESS OTHERWISE SPECIFIED:   | APVD                      | W. KODAMA | 24DEC2008 | NAME            |                                       |           |            |               |
|  | 0 PLC ± 0.40<br>1 PLC ± 0.30<br>2 PLC ± 0.20<br>3 PLC ± 0.10<br>4 PLC ± -<br>ANGLES ± 3.0°<br>FINISH | PRODUCT SPEC              | 108-57306 |           |                 | USB CONNECTOR, PLUG,<br>R/A, SMT TYPE |           |            |               |
| MATERIAL                               | SEE NOTE   | QUALIFICATION TEST REPORT | 501-57337 |           |                 |                                       |           |            |               |
| SEE NOTE                               | SEE NOTE   | WEIGHT                    | ---       |           |                 | SIZE                                  | CAGE CODE | DRAWING NO | RESTRICTED TO |
|  |  | CUSTOMER DRAWING          |           | A3        | 00779           | C=1734028                             |           |            |               |
|  |  |                           |           | SCALE     | -               | SHEET                                 | 1 OF 3    | REV        | D             |

4

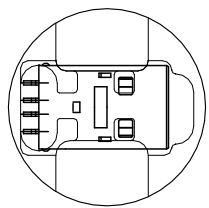
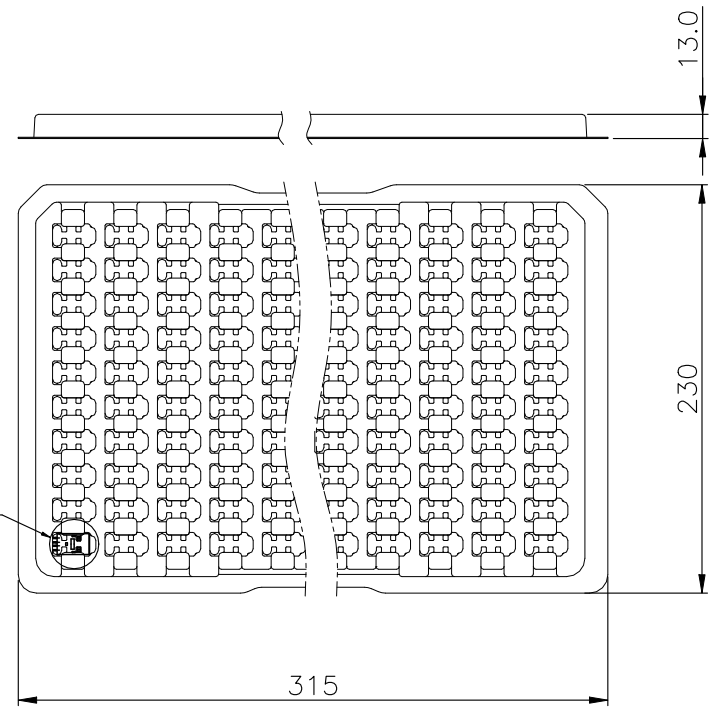
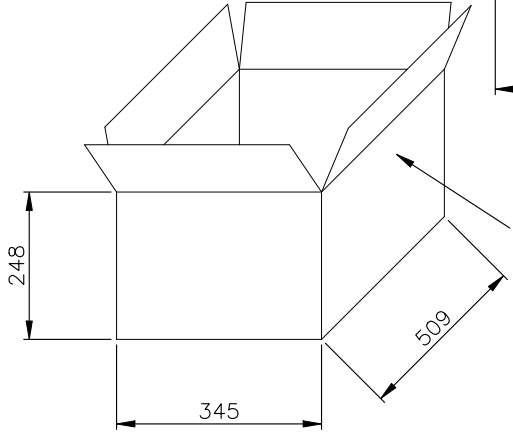
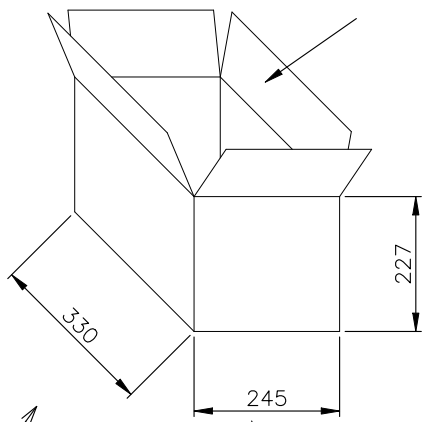
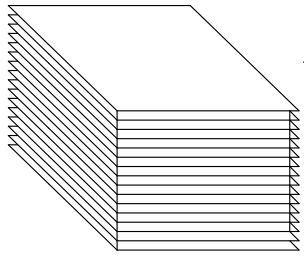
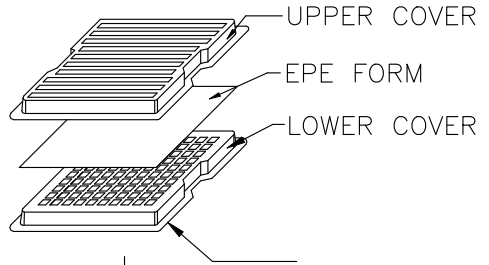
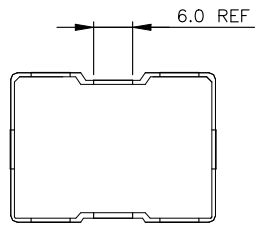
3

2

1

THIS DRAWING IS UNPUBLISHED.      RELEASED FOR PUBLICATION  
 © COPYRIGHT - BY TYCO ELECTRONICS CORPORATION.      ALL RIGHTS RESERVED.

| LOC |     | DIST         |  | REVISIONS |      |     |      |  |
|-----|-----|--------------|--|-----------|------|-----|------|--|
| P   | LTR | DESCRIPTION  |  |           | DATE | DWN | APVD |  |
|     |     | SEE SHEET 1. |  |           |      |     |      |  |



VIEW A  
SCALE 4:1

|              |            |          |               |          |
|--------------|------------|----------|---------------|----------|
| 16.5kg       | 15.5kg     | 100      | 32            | 3200PCS  |
| GROSS WEIGHT | NET WEIGHT | PCS/TRAY | TRAYS /CARTON | QUANTITY |

THIS DRAWING IS A CONTROLLED DOCUMENT.

|                   |  |                  |                                    |           |              |
|-------------------|--|------------------|------------------------------------|-----------|--------------|
| DIMENSIONS:<br>MM | TOLERANCES UNLESS OTHERWISE SPECIFIED: | DWN              | TE Connectivity                    |           |              |
|                   | 0 PLC ± -                              | CHK              | NAME                               |           |              |
|                   | 1 PLC ± -                              | APVD             | USB CONNECTOR, PLUG, R/A, SMT TYPE |           |              |
|                   | 2 PLC ± -                              | PRODUCT SPEC     | SIZE                               | CAGE CODE | DRAWING NO   |
|                   | 3 PLC ± -                              | APPLICATION SPEC | A3                                 | 00779     | C=1734028    |
|                   | 4 PLC ± -                              | WEIGHT           | RESTRICTED TO                      |           |              |
| MATERIAL          | FINISH                                 | CUSTOMER DRAWING |                                    | SCALE     | SHEET 2 OF 3 |
|                   |  |                  |                                    | REV       | D            |

4

3

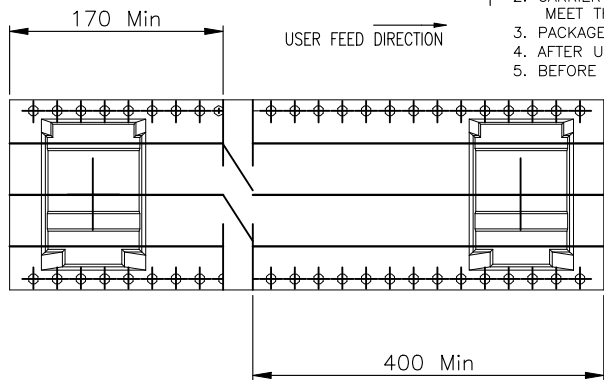
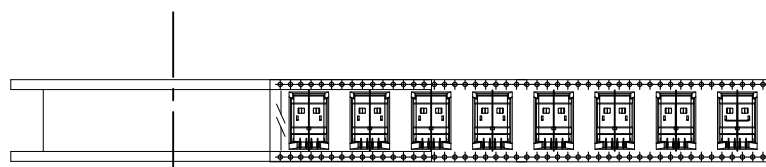
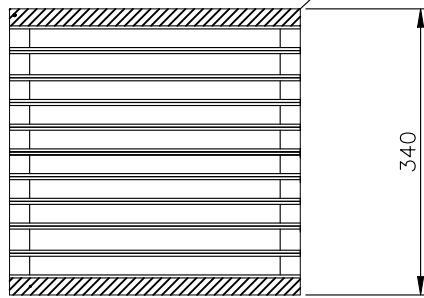
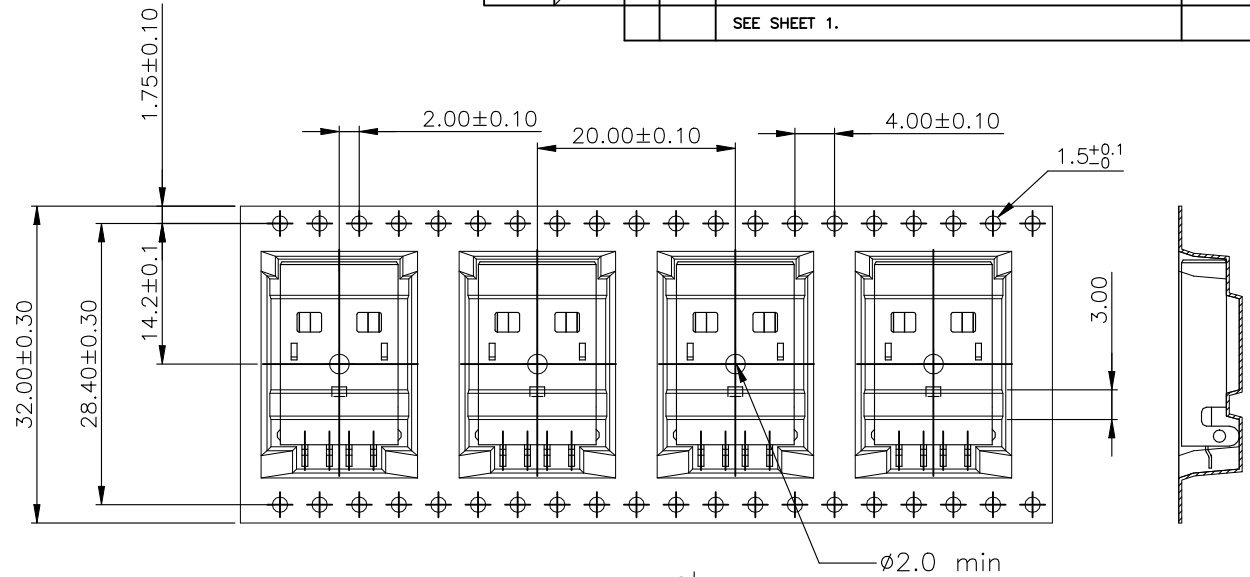
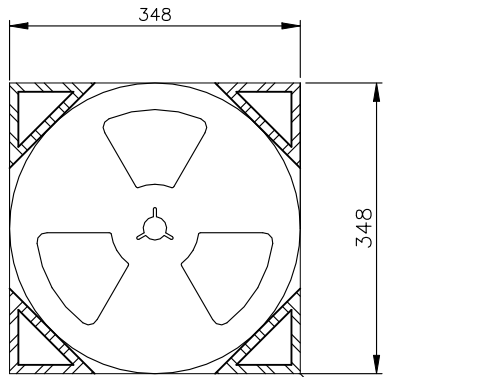
2

1

THIS DRAWING IS UNPUBLISHED. RELEASED FOR PUBLICATION

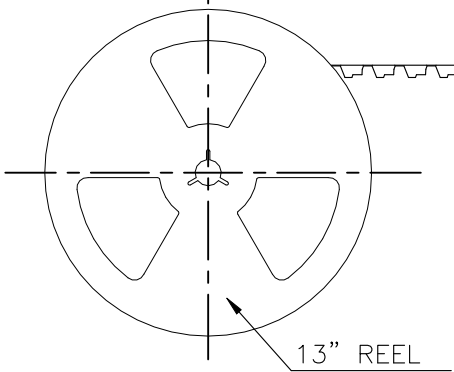
© COPYRIGHT BY TYCO ELECTRONICS CORPORATION. ALL RIGHTS RESERVED.

|     |      |           |     |              |      |     |      |
|-----|------|-----------|-----|--------------|------|-----|------|
| LOC | DIST | REVISIONS |     |              |      |     |      |
| DW  |      | P         | LTR | DESCRIPTION  | DATE | DWN | APVD |
|     |      |           |     | SEE SHEET 1. |      |     |      |



- NOTE:
- PACKAGING MATERIAL IN PLASTIC, RUBBER, INK, PIGMENT AND PAINT MUST MEET CONTROLLED SUBSTANCES PER TE SPEC TEC-138-702.
    - \* CADMIUM AND CADMIUM COMPOUNDS NOT TO EXCEED: 5 PPM.
    - \* LEAD, CADMIUM, CHROM VI AND MERCURY NOT TO EXCEED: 100 PPM (COMBINED).
  - CARRIER TAPES, COVER TAPES, REELS AND TAPED COMPONENTS MUST MEET THE REQUIREMENTS DEFINED PER EIA-481-B.
  - PACKAGE: 500 PCS/REEL, 8 REEL/BOX (W.G: 13.5Kg, N.G: 12.5Kg)
  - AFTER UNREELING DIRECTION MUST HAVE 14PCS BLANK. (400mm Min.)
  - BEFORE UNREELING DIRECTION MUST HAVE 6PCS BLANK. (170mm Min.)

|              |            |          |              |          |
|--------------|------------|----------|--------------|----------|
| 13.5kg       | 12.5kg     | 500      | 8            | 4000PCS  |
| GROSS WEIGHT | NET WEIGHT | PCS/TAPE | REEL /CARTON | QUANTITY |



THIS DRAWING IS A CONTROLLED DOCUMENT.

|                |  |                  |                                    |               |
|----------------|--|------------------|------------------------------------|---------------|
| DIMENSIONS: MM | TOLERANCES UNLESS OTHERWISE SPECIFIED: | DWN              | TE Connectivity                    |               |
|                | 0 PLC ± -                              | CHK              | NAME                               |               |
|                | 1 PLC ± -                              | APVD             | USB CONNECTOR, PLUG, R/A, SMT TYPE |               |
|                | 2 PLC ± -                              | PRODUCT SPEC     | SIZE                               | CAGE CODE     |
|                | 3 PLC ± -                              | APPLICATION SPEC | A3                                 | 00779         |
|                | 4 PLC ± -                              | WEIGHT           | DRAWING NO                         | RESTRICTED TO |
| MATERIAL       | FINISH                                 | CUSTOMER DRAWING | C=1734028                          |               |
|                |  | SCALE            | SHEET                              | REV           |
|                |  |                  | 3 of 3                             | D             |