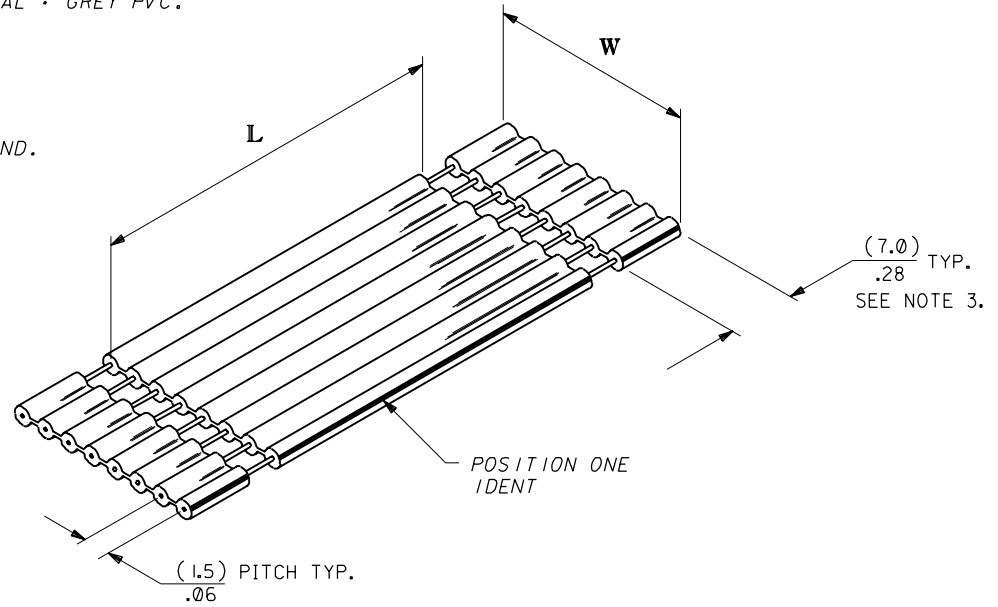


PART NO. SEE CHART SD-90880E
 DWG. NO.

- NOTES :
- 26 AWG STRANDED TOPCOAT, INSULATION MATERIAL : GREY PVC.
 - U.L. RATINGS :
 TEMPERATURE : -20°C TO 105°C
 VOLTAGE : 300V MAX.
 FLAMMABILITY : VW-1
 STYLE No. 2651
 - CUT, STRIPPED AND RETAINED (7.0) / .28 EACH END.
 - POSITION ONE IDENTIFIED.



| STANDARD LENGTHS (DIMENSION L) | | | | |
|----------------------------------|----------------|-----------------|-----------------|-----------------|
| (50.0) 1.97 | (70.0) 2.76 | (100.0) 3.94 | (150.0) 5.91 | (200.0) 7.87 |

| CKT. SIZE | DIM W (MAX) | CKT. SIZE | DIM W (MAX) |
|-----------|--------------|-----------|--------------|
| 3 | (4.5) / .18 | 8 | (12.0) / .47 |
| 4 | (6.0) / .24 | 9 | (13.5) / .53 |
| 5 | (7.5) / .30 | 10 | (15.0) / .59 |
| 6 | (9.0) / .35 | 11 | (16.5) / .65 |
| 7 | (10.5) / .41 | 12 | (18.0) / .71 |

90880-****
 No OF CIRCUITS
 LENGTH L IN CENTIMETRES
 e.g. 05=5cm

FOR PREVIOUS DRAWING ISSUES SEE MRI.

| | | | |
|--|-----------|--|---------------|
| ECN E90067 DRAWING RAISED 13.APR.89 PR | REVISIONS | DIMENSIONS SHOWN (METRIC) INCH UNLESS OTHERWISE SPECIFIED TOLERANCES: ANGULAR ± 1/2° | DRWG BY PR |
| | | INCH (METRIC) | CHK'D BY |
| A | LTR | 3 PLACE ± . | APP'D BY |
| | | 2 PLACE ± . | SCALE |
| | | 1 PLACE ± | |
| | | DRAFT WHERE APPLICABLE MUST REMAIN WITHIN DIMENSIONS | |
| | | DESIGN DIMENSION <input checked="" type="checkbox"/> (MM) <input type="checkbox"/> IN. | |
| | | EQUIVALENT DIMENSION <input type="checkbox"/> (MM) <input checked="" type="checkbox"/> IN. | |

| | | | |
|---|----------------------|---|------|
| REVISE ONLY ON CAD SYSTEM | | SHL | REV. |
| CAD/CAM FILENAME SD90880X1 DCN | | THIS DRAWING CONTAINS INFORMATION THAT IS PROPRIETARY TO MOLEX INC. & SHOULD NOT BE USED WITHOUT WRITTEN PERMISSION | |
| TITLE (1.5) / .059 PITCH ROUND CONDUCTOR FLAT CABLE JUMPER | | | |
| MOLEX EUROPE | | SHEET NO. DATE 1 OF 1 13/ 4/89 | |
| PART NO. SEE CHART | DWG NO. SD-90880E | SIZE B | |