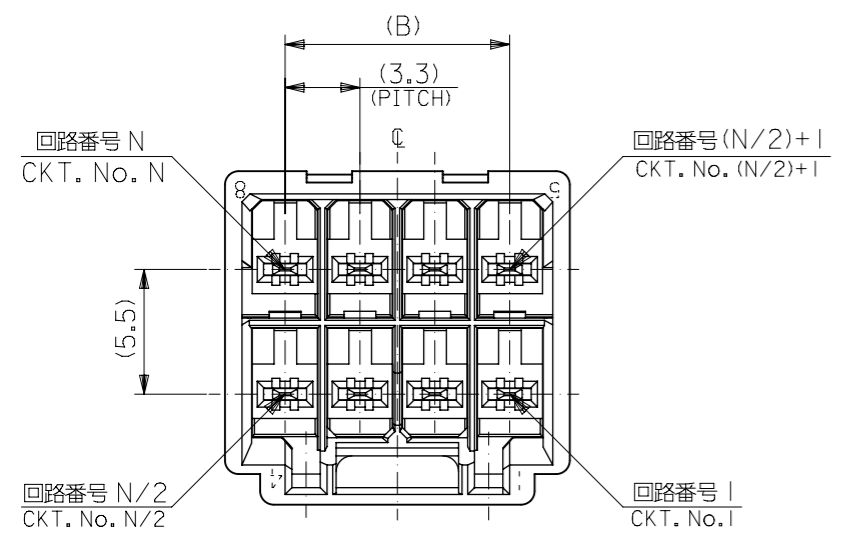
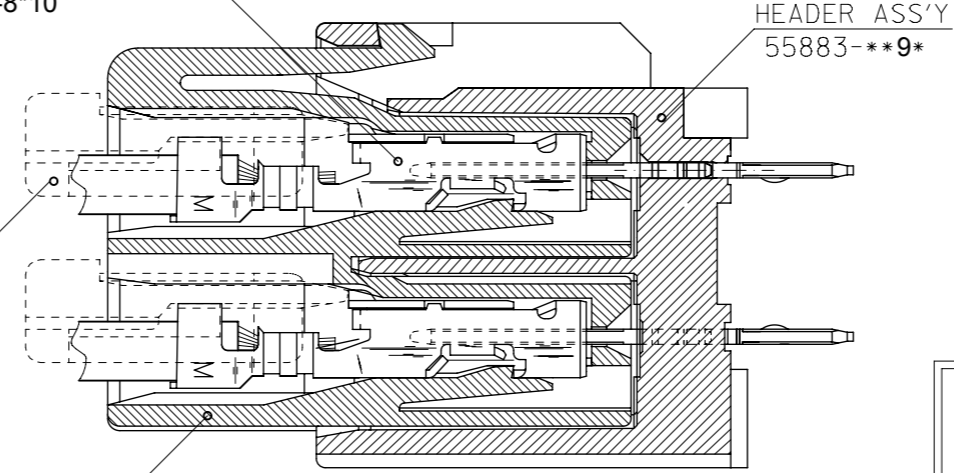


本図は2列品を示す
DUAL ROW ASS'Y



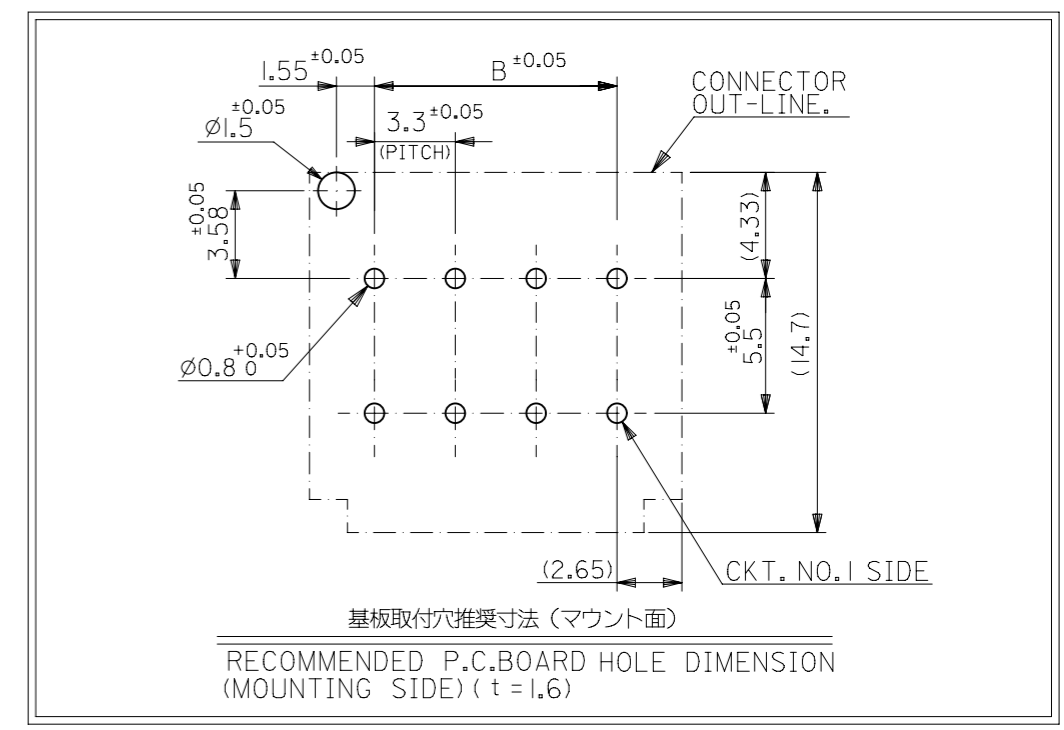
REC TERM
56187/56188/-8*00
501395/500989 -1*00
502706-8*10



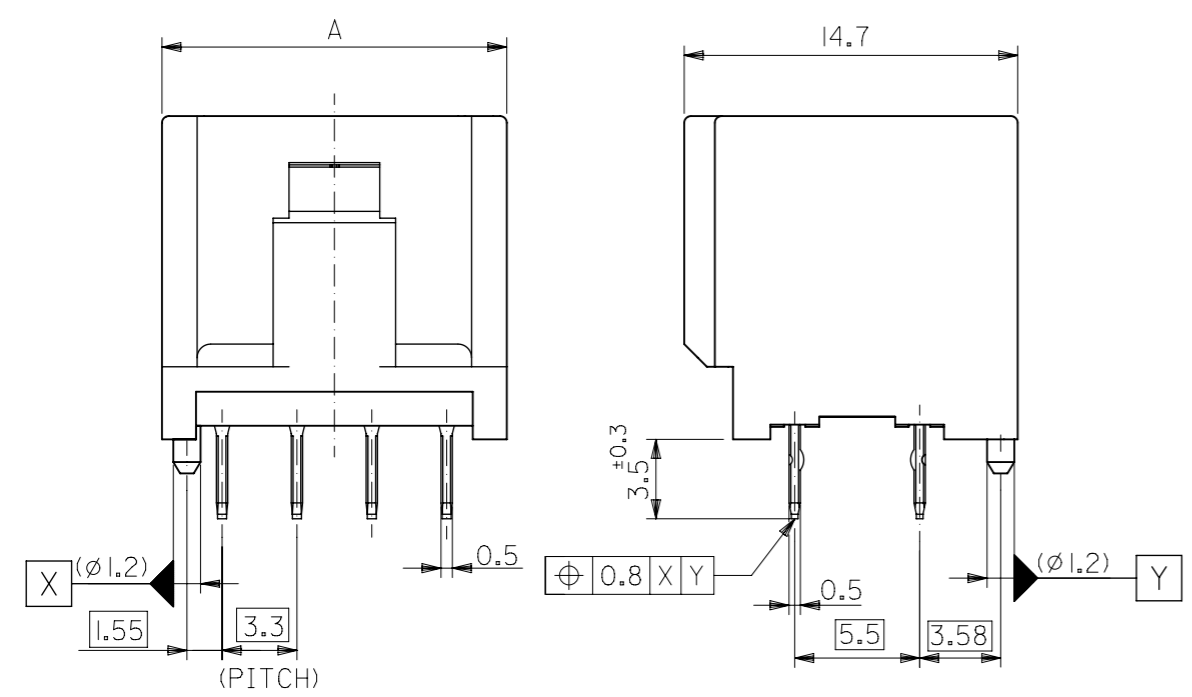
嵌合断面図
MATED CROSS SECTION

注記
NOTES

- 材料 MATERIAL : 黄銅, ニッケル下地鍍メッキ
ピン PIN : BRASS, TIN OVER NICKEL PLATED
ヘッダー HEADER : ポリアミド (PA)、ガラス充填 UL94V-0
- 嵌合相手 MATE WITH : 51284-****
- ソルダーテールキंकは、両端のピンのみとする。
KINK TO BE APPLIED FOR 4 PINS AT BOTH ENDS.
- 極性用溝 PALARIZING KEY
- ELV及びRoHS 適合品
ELV AND RoHS COMPLIANT



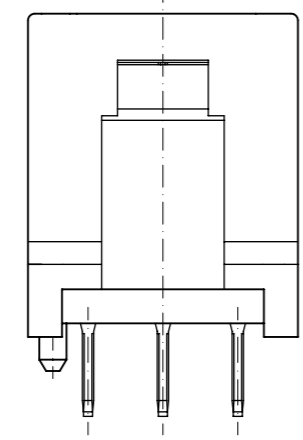
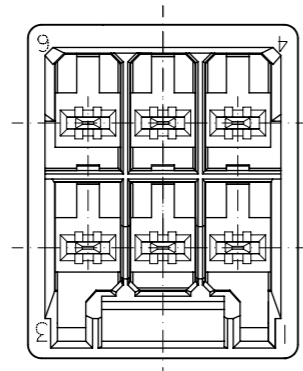
基板取付穴推奨寸法 (マウント面)
RECOMMENDED P.C. BOARD HOLE DIMENSION
(MOUNTING SIDE) (t = 1.6)



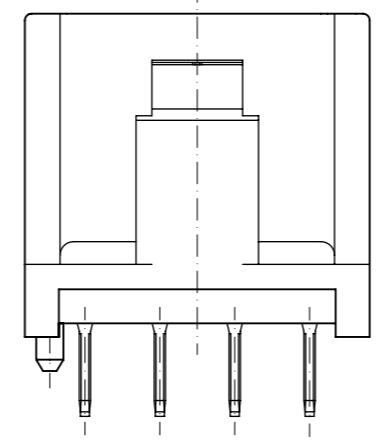
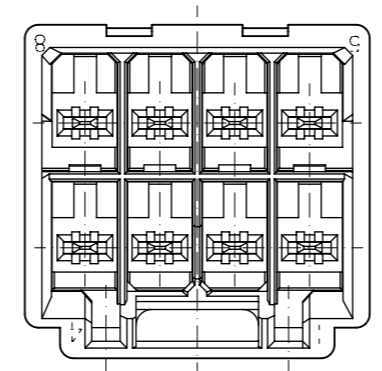
OPPOSITE SIDE OF LOCK	NATURAL (IVORY)	13.2	18.5	55883-1090	10
	NATURAL (IVORY)	9.9	15.2	-0890	8
	NATURAL (IVORY)	6.6	11.9	-0690	6
MATING KEY POSITION (SEE SHEET 2 OF 3)	COLOR	B	A	TRAY PACKAGE	極数
				オーダー番号 ORDER NO.	CIRCUITS
CONNECTOR SERIES No. 55883-***9*					

THIS DRAWING CONTAINS INFORMATION THAT IS PROPRIETARY TO MOLEX ELECTRONIC TECHNOLOGIES, LLC AND SHOULD NOT BE USED WITHOUT WRITTEN PERMISSION					
DIMENSION UNITS		SCALE		CURRENT REV DESC: REMOVED OBSOLETE PART NUMBER AS PER PCN#513349.	
mm		NTS			
GENERAL TOLERANCES (UNLESS SPECIFIED)					
4 PLACES		± 0.2			
3 PLACES		± 0.25			
2 PLACES		± 0.3			
1 PLACE		±			
0 PLACES		±			
ANGULAR TOL		± 3.0			
DRAFT WHERE APPLICABLE MUST REMAIN WITHIN DIMENSIONS		THIRD ANGLE PROJECTION			
DRAWING		SERIES		MATERIAL NUMBER	
A3-SIZE		55883		SEE CHART	
EC NO: 742242		DRWN: SANTHN		2023/03/08	
CHK'D: GGA		APPR: GGA		2023/03/17	
INITIAL REVISION:		DRWN: J.KUGOU		'04/02/12	
		APPR: M.SASAO		'04/02/12	
DOCUMENT NUMBER		DOC TYPE		DOC PART	
SD-55883-010		PSD		001	
CUSTOMER		SHEET NUMBER			
GENERAL MARKET		1 OF 3			

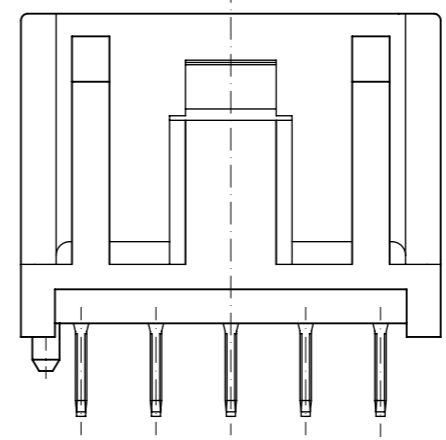
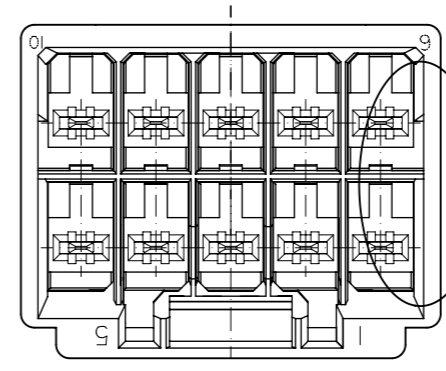
本図は2列品を示す
DUAL ROW ASS'Y



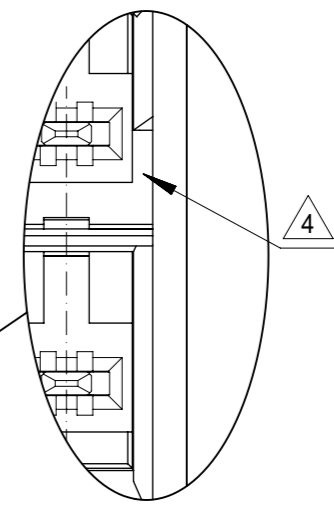
SHAPE OF
55883-0690
HEADER COLOR : NATURAL



SHAPE OF
55883-0890
HEADER COLOR : NATURAL



SHAPE OF
55883-1090
HEADER COLOR : NATURAL



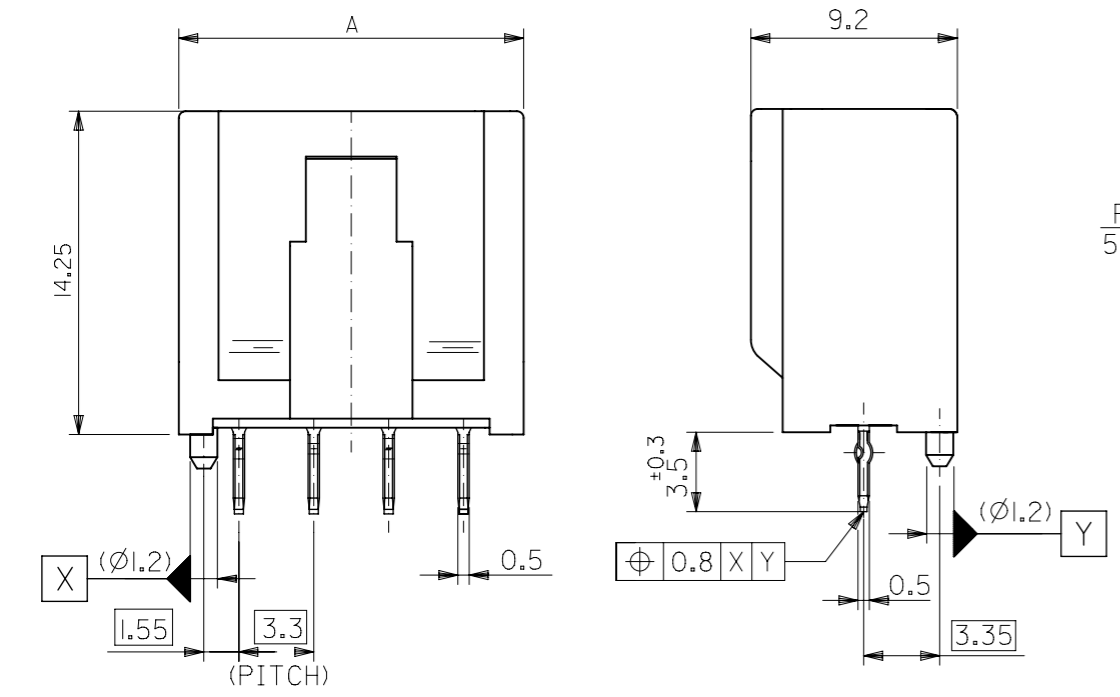
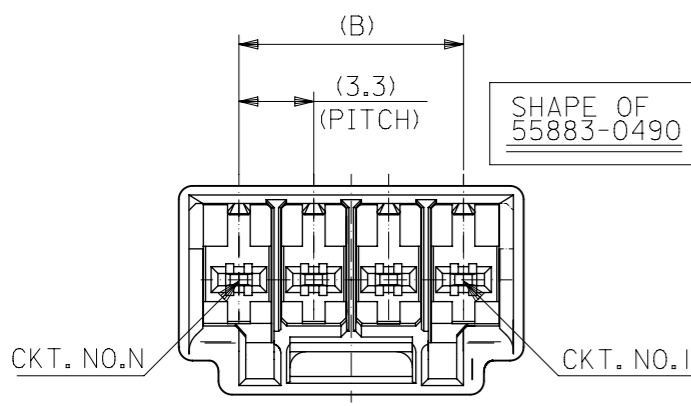
MATING KEY POSITION : OPPOSITE SIDE OF LOCK

極数レイアウト図
LAYOUT OF EACH CIRCUITS

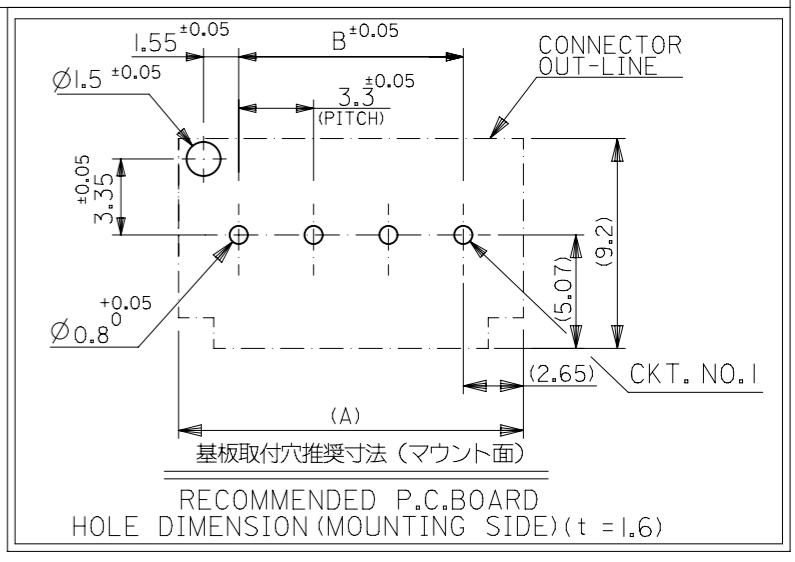
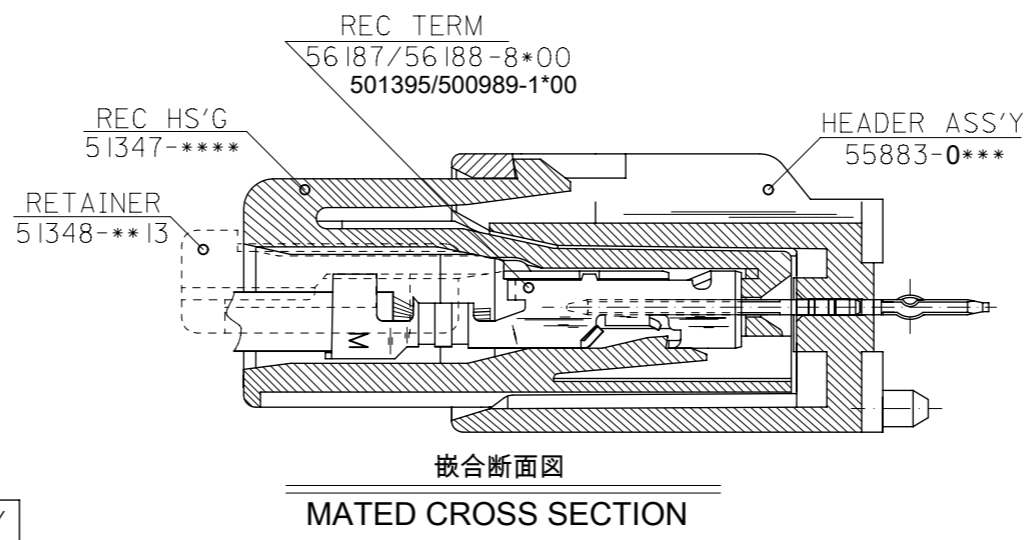
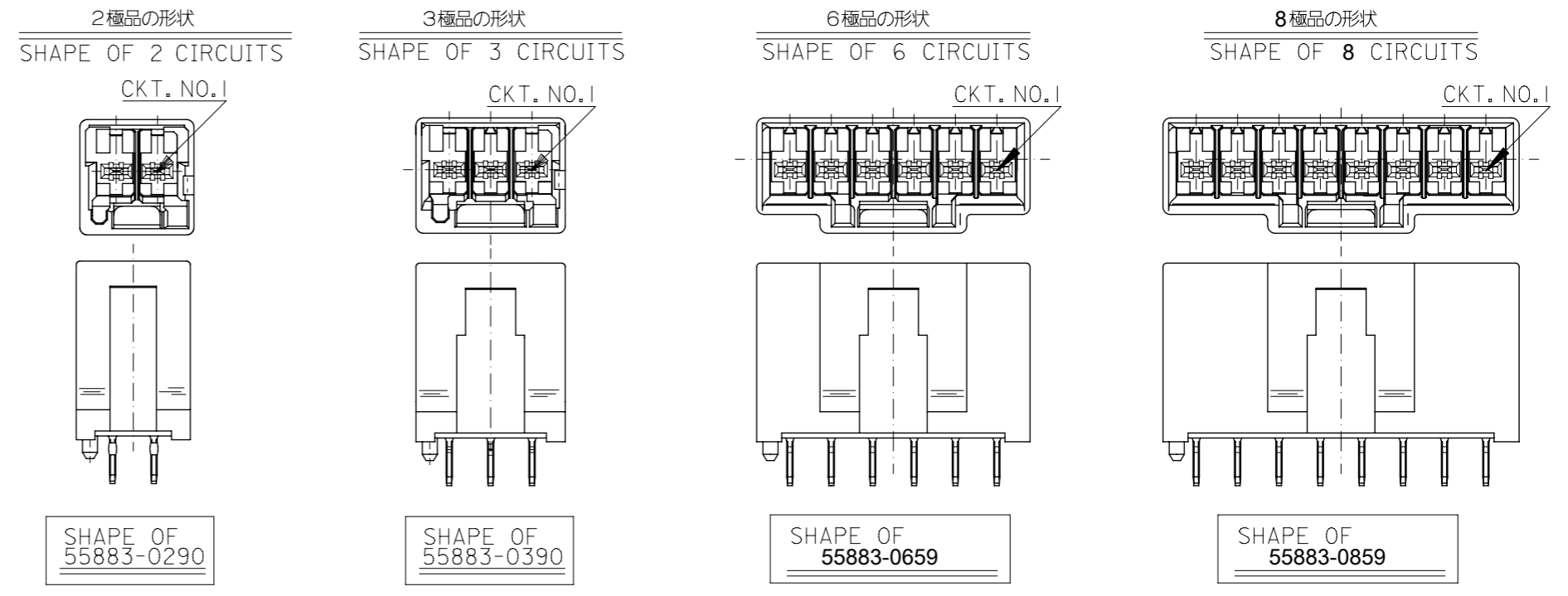
PRE-RELEASE
REFERENCE
USE ONLY

THIS DRAWING CONTAINS INFORMATION THAT IS PROPRIETARY TO MOLEX ELECTRONIC TECHNOLOGIES, LLC AND SHOULD NOT BE USED WITHOUT WRITTEN PERMISSION		molex	
DIMENSION UNITS: mm SCALE: NTS		3.3 WIRE TO BOARD CONN. HEADER ASS'Y	
GENERAL TOLERANCES (UNLESS SPECIFIED)		PRODUCT CUSTOMER DRAWING	
4 PLACES ± 0.2 3 PLACES ± 0.25 2 PLACES ± 0.3 1 PLACE ± 0 PLACES ±	GENERAL TOLERANCES (UNLESS SPECIFIED) MM INCH 0.2 ± 0.008 ± 0.25 ± 0.010 ± 0.3 ± 0.012 ±	EC NO: 742242 DRWN: SANTHN CHK'D: GGA APPR: GGA	2023/03/08 2023/03/17 2023/03/17
10 ^{UNDER} ± 0.2 10 ^{OVER} 30 ^{UNDER} ± 0.25 30 ^{OVER} ± 0.3	ANGULAR TOL ± 3.0 DRAFT WHERE APPLICABLE MUST REMAIN WITHIN DIMENSIONS	INITIAL REVISION: DRWN: J.KUGOU APPR: M.SASAO	'04/02/12 '04/02/12
DOCUMENT STATUS: P1 RELEASE DATE: 2023/03/17 09:51:04	THIRD ANGLE PROJECTION	DRAWING: A3-SIZE SERIES: 55883	MATERIAL NUMBER: SEE CHART CUSTOMER: GENERAL MARKET SHEET NUMBER: 2 OF 3

本図は1列品を示す
SINGLE ROW ASS'Y



- 注記
NOTES
- 材料
MATERIAL
ピン : 黄銅, ニッケル下地鍍メッキ
PIN : BRASS, TIN OVER NICKEL PLATED
ヘッダー
HEADER : ポリアミド (PA)、ガラス充填 UL94V-0
POLYAMIDE (PA)、GLASS FILLED、UL94V-0
 - 嵌合相手 : 51347-****
MATE WITH
 - ELV及びRoHS適合品
ELV AND RoHS COMPLIANT



NATURAL (IVORY)	23.1	28.4	55883-0859	8
	16.5	21.8	55883-0659	6
	9.9	15.2	55883-0490	4
	6.6	11.9	55883-0390	3
	3.3	9.1	55883-0290	2
COLOR	B	A	TRAY PACKAGE	極数
			オーダー番号 ORDER NO.	CIRCUITS

CONNECTOR SERIES No. 55883-0***

PRE-RELEASE
REFERENCE
USE ONLY

GENERAL TOLERANCES (UNLESS SPECIFIED)		DIMENSION UNITS		SCALE		CURRENT REV DESC: REMOVED OBSOLETE PART NUMBER AS PER PCN#513349.		EC NO: 742242		2023/03/08	
10 ^{UNDER}	±0.2	mm	NTS	GENERAL TOLERANCES (UNLESS SPECIFIED)		DRWN: SANTHN		2023/03/17		2023/03/17	
10 ^{OVER} 30 ^{UNDER}	±0.25			MM INCH		CHK'D: GGA		2023/03/17		2023/03/17	
30 ^{OVER}	±0.3			0.2 ±		APPR: GGA		INITIAL REVISION:		'04/02/12	
ANGULAR	±3°			0.25 ±		DRWN: J.KUGOU		'04/02/12		SD-55883-010	
				0.3 ±		APPR: M.SASAO		'04/02/12		PSD 001 E	
				ANGULAR TOL ± 3.0		DRAFT WHERE APPLICABLE MUST REMAIN WITHIN DIMENSIONS		THIRD ANGLE PROJECTION		DRAWING A3-SIZE	
				DRAFT WHERE APPLICABLE MUST REMAIN WITHIN DIMENSIONS		SERIES 55883		MATERIAL NUMBER SEE CHART		CUSTOMER GENERAL MARKET	
				DRAFT WHERE APPLICABLE MUST REMAIN WITHIN DIMENSIONS		SHEET NUMBER 3 OF 3					