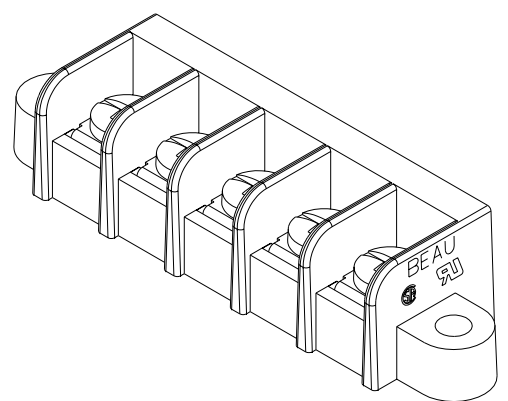
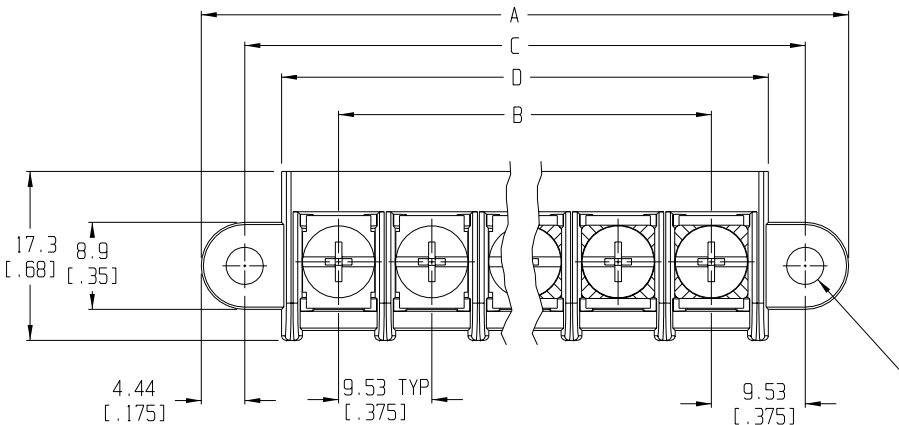
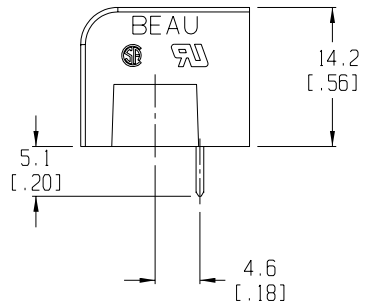
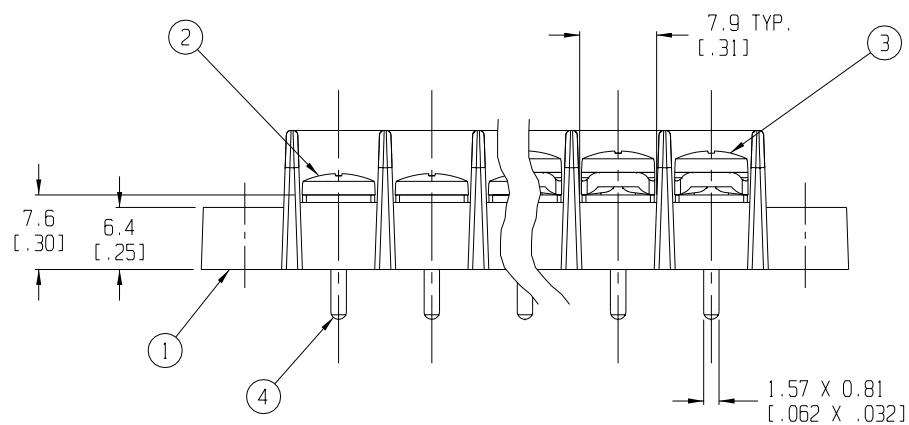


RECOMMENDED PTH PATTERN
SCALE 1:1



5 CIRCUIT SHOWN
Ø3.81 2 HOLES [.150]

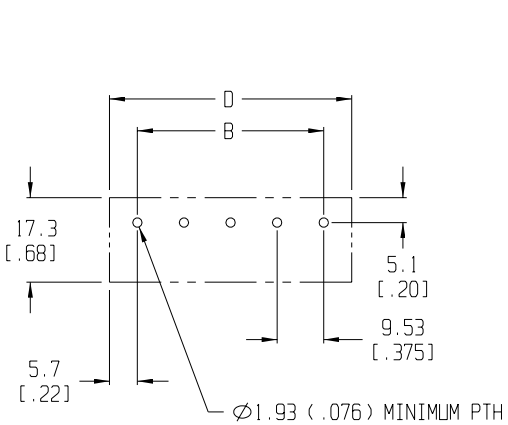


- NOTES:
1. MATERIAL: SEE TABLE
 2. FINISHES: SEE TABLE
 3. PRODUCT SPECIFICATION: UL & CSA, 12-24 AWG
 4. PACKAGING: NOT REQUIRED
 5. MATES WITH: NONE
 6. "XX" REFERS TO QTY. OF CIRCUITS
 7. LENGTH TABLE SHOWN ON SHEET 2
 8. REFER TO SD-38120-001 (-10A THRU -10D AND -11A THRU -11D) OR SD-38120-002 (-10AT THRU -10DT AND -11AT THRU -11DT) FOR OPTIONAL IMPRINTING.

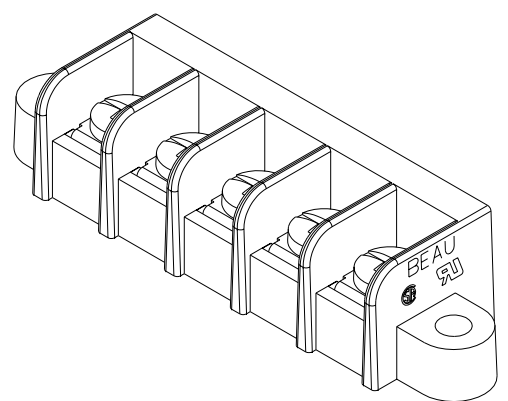
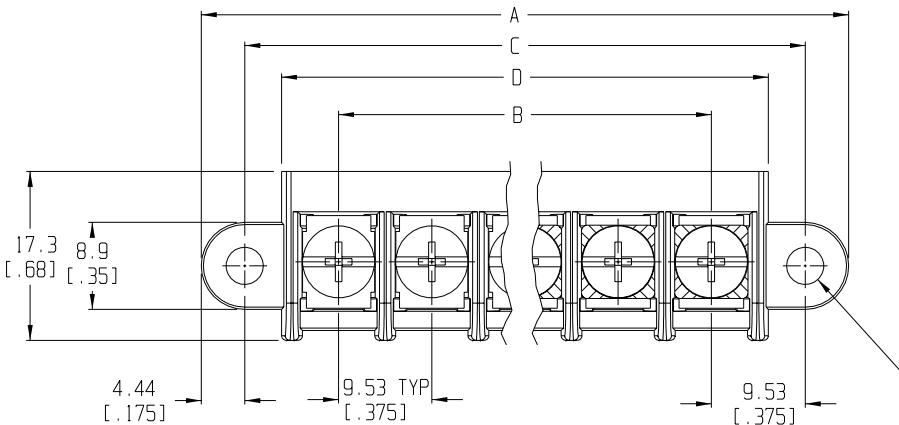
| ITEM | QTY. | DESCRIPTION | MATERIAL | FINISH |
|------|------|--------------------------|---------------|---------------|
| 4 | XX | TERMINAL | BRASS | TIN PLATE |
| 3 | XX | SCREW & WASHER (-50 OPT) | STEEL | ZINC CHROMATE |
| 2 | XX | SCREW (STD.) | STEEL | ZINC CHROMATE |
| 1 | 1 | BARRIER TERMINAL STRIP | THERMOPLASTIC | BLACK |

| | | | | | | | | |
|--|---|-----------------|--|-----------|--|--|--|--------------------|
| EC NO. RELEASED DRWN: CLY CHK: APPR: REV A | DESCRIPTION MAJOR CRITICAL SPC | QUALITY SYMBOLS | GENERAL TOLERANCES: (UNLESS SPECIFIED) | SCALE 2:1 | DESIGN UNITS <input type="checkbox"/> mm <input checked="" type="checkbox"/> INCH | THIRD ANGLE PROJECTION | PROJECT NO. - | I - |
| | | | | | | | DIMENSIONS: <input checked="" type="checkbox"/> mm <input type="checkbox"/> INCH <input type="checkbox"/> mm ONLY | SHT REV |
| | | | | | | | | REVISE ON CAD ONLY |
| | | | | | | | | |
| | | | | | | TITLE: SR BTS, PC TERMINAL | | |
| | | | | | | MATERIAL NO. SEE SHEET 2 | DRAWING NO. SD-38750-001 | SHEET NO. 1 OF 2 |
| | | | | | | THIS DRAWING CONTAINS INFORMATION THAT IS PROPRIETARY TO MOLEX INCORPORATED AND SHOULD NOT BE USED WITHOUT WRITTEN PERMISSION. | | SIZE B |

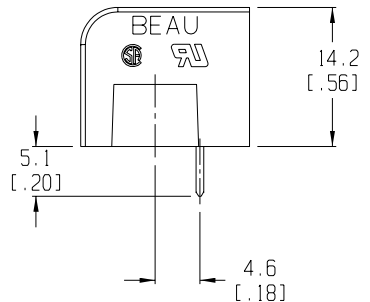
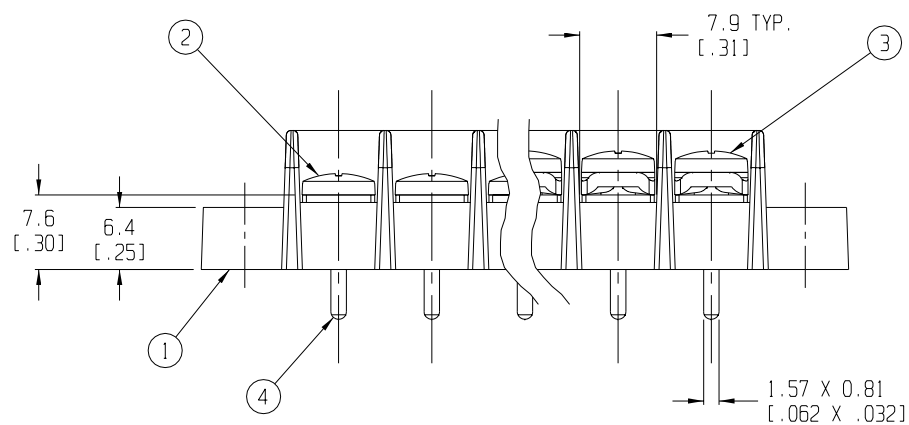
| | | | | | | | | |
|----|---|---|---|---|---|---|---|---|
| 10 | 9 | 8 | 7 | 5 | 4 | 3 | 2 | 1 |
|----|---|---|---|---|---|---|---|---|



RECOMMENDED PTH PATTERN
SCALE 1:1



5 CIRCUIT SHOWN
Ø3.81 2 HOLES [.150]



- NOTES:
1. MATERIAL: SEE TABLE
 2. FINISHES: SEE TABLE
 3. PRODUCT SPECIFICATION: UL & CSA, 12-24 AWG
 4. PACKAGING: NOT REQUIRED
 5. MATES WITH: NONE
 6. "XX" REFERS TO QTY. OF CIRCUITS
 7. LENGTH TABLE SHOWN ON SHEET 2
 8. REFER TO SD-38120-001 (-10A THRU -10D AND -11A THRU -11D) OR SD-38120-002 (-10AT THRU -10DT AND -11AT THRU -11DT) FOR OPTIONAL IMPRINTING.

| ITEM | QTY. | DESCRIPTION | MATERIAL | FINISH |
|------|------|--------------------------|---------------|---------------|
| 4 | XX | TERMINAL | BRASS | TIN PLATE |
| 3 | XX | SCREW & WASHER (-50 OPT) | STEEL | ZINC CHROMATE |
| 2 | XX | SCREW (STD.) | STEEL | ZINC CHROMATE |
| 1 | 1 | BARRIER TERMINAL STRIP | THERMOPLASTIC | BLACK |

| | |
|-----------------|--------|
| EC NO. RELEASED | CLY |
| DRWN: CH'K: | APPR.: |
| A | |

| | | | |
|-----------------|-------|----------|-----|
| QUALITY SYMBOLS | MAJOR | CRITICAL | SPC |
| DESCRIPTION | | | |
| REV | | | |

| | | |
|--|-----------|--------------|
| GENERAL TOLERANCES: (UNLESS SPECIFIED) | SCALE 2:1 | DESIGN UNITS |
| 4 PLACES ±.0015 | mm | INCH |
| 3 PLACES ±.038 | mm | INCH |
| 2 PLACES ±.13 | mm | INCH |
| 1 PLACE ±.3 | mm | INCH |
| ANGULAR: ±2° | | |
| DRAFT WHERE APPLICABLE MUST REMAIN WITHIN DIMENSIONS | | |

| | | |
|--|--------------------------|------------------|
| PROJECT NO. - | I | - |
| DIMENSIONS: | SHT | REV |
| THIRD ANGLE PROJECTION | | |
| TITLE: | SR BTS, PC TERMINAL | |
| MATERIAL NO. SEE SHEET 2 | DRAWING NO. SD-38750-001 | SHEET NO. 1 OF 2 |
| THIS DRAWING CONTAINS INFORMATION THAT IS PROPRIETARY TO MOLEX INCORPORATED AND SHOULD NOT BE USED WITHOUT WRITTEN PERMISSION. | | |
| | | SIZE B |

| | | | | | | | | |
|----|---|---|---|---|---|---|---|---|
| 10 | 9 | 8 | 7 | 5 | 4 | 3 | 2 | 1 |
|----|---|---|---|---|---|---|---|---|